

# Product Details and Certifications

## Cross Reference RA Part Number: 100-FSC280 A

 **Product: 100-FSC280**

Description: Surge Suppressor, RC Module , 110...280V 50/60 Hz



Representative Photo Only (actual product may vary based on configuration sections)

### ACCESSORY SELECTION

---


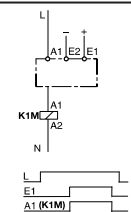

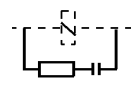
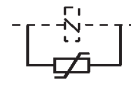
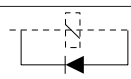
Bulletin Number	100-F IEC Contactor Accessories
Accessory Selection	Individual Accessory Selection

### APPLICATION DATA

---





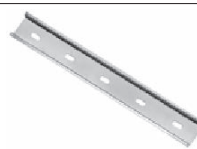
100-C Accessories	Surge Suppressor (w/AC and 'Z' type DC Coils Only)
-------------------	----------------------------------------------------

Control Modules (For 100-C09...C97 contactors), Continued

	Description	Voltage Range	Connection Diagrams	For Use With	Cat. No.	
	<b>DC Interface (Electronic)</b> • Interface between the DC control signal (PLC) and the AC operating mechanism of the contactor. • Requires no additional surge suppression on the relay coils	Input: 12V DC Output: 110...240V AC		100-C with AC coils 110...240V AC	100-JE12	
		Input: 18...30V DC Output: 110...240V AC			100-JE	
		Input: 48V DC Output: 110...240V AC			100-JE48	
	<b>Surge Suppressors</b> • For limitation of coil switching transients. • Plug-in, coil mounted. • Suitable for 100-C contactor sizes, 9...97 A. • RC, varistor, and diode versions.	24...48V AC, 50/60 Hz		100-C with AC coils	‡ 100-FSC48	
		110...280V AC, 50/60 Hz			‡ 100-FSC280	
		380...480V AC, 50/60 Hz			‡ 100-FSC480	
		<b>Varistor Module</b> AC/DC operating mechanism	12...55V AC/ 12...77V DC		100-C with AC coils or 100-C09...-C43 with DC coils	‡ 100-FSV55
			56...136V AC/ 78...180V DC			‡ 100-FSV136
			137...277V AC/ 181...350V DC			‡ 100-FSV277
			278...575V AC			‡ 100-FSV575
		<b>Diode Module</b> DC operating mechanism	12...250V DC		100-C09...-C43 with DC coils	‡ 100-FSD250

‡ For screwless terminals, insert "CR" after the "100-" in the catalog number. Example: Cat. No. 100-FSC48 becomes Cat. No. 100-CR-FSC48.

Assembly Components (For 100-C09...C97 contactors)

	Description	For Use With	Pkg. Quantity	Cat. No.
	<b>Dovetail Connectors</b> • For use in contactor and starter assemblies. • Single Connector — 0 mm Spacing	100-C	10	100-S0
	<b>Dovetail Connectors</b> • For use in contactor and starter assemblies. • Dual Connector — 9 mm Spacing			100-S9
	<b>Protective Covers</b> • Provides protection against unintended manual operation • For contactors and front-mounted auxiliary contacts, pneumatic timers, and latches	100-C all	1	100-SCCA
		100-FA, -FB, -FC, -FP, -FL;	10	100-SCFA
	<b>Reversing Power Wiring Kits</b> • For reversing connection with a solid-state or thermal overload relay	100-C09...C23	1	105-PW23
		100-C30...C37	1	105-PW37
		100-C43	1	105-PW43
		100-C60...C97	1	105-PW85
	<b>DIN (#3) symmetrical hat rail</b> 35 x 7.5 x 1 m	140M-D 140M-F 100-C all	10	199-DR1