

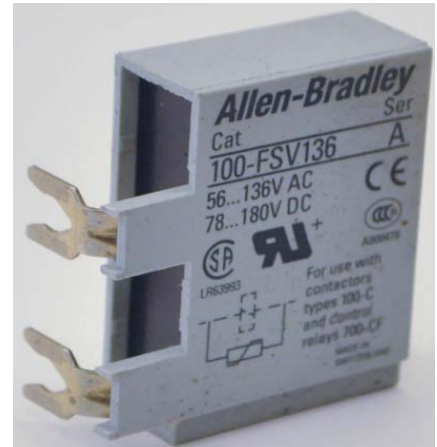
Product Details and Certifications

Cross Reference RA Part Number: 100-FSV136 A



Product: 100-FSV136

Description: Surge Suppressor, Varistor Module, 56...136VAC / 78...180VDC


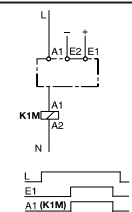

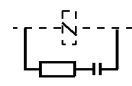
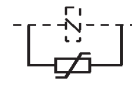
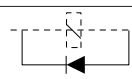


Representative Photo Only (actual product may vary based on configuration sections)

ACCESSORY SELECTION





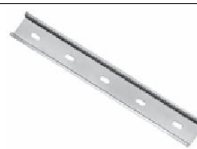
Bulletin Number	100-F Contactor Accessories
Accessory Selection	Individual Accessory Selection

Control Modules (For 100-C09...C97 contactors), Continued

	Description	Voltage Range	Connection Diagrams	For Use With	Cat. No.		
	DC Interface (Electronic) • Interface between the DC control signal (PLC) and the AC operating mechanism of the contactor. • Requires no additional surge suppression on the relay coils	Input: 12V DC Output: 110...240V AC		100-C with AC coils 110...240V AC	100-JE12		
		Input: 18...30V DC Output: 110...240V AC			100-JE		
		Input: 48V DC Output: 110...240V AC			100-JE48		
	Surge Suppressors • For limitation of coil switching transients. • Plug-in, coil mounted. • Suitable for 100-C contactor sizes, 9...97 A. • RC, varistor, and diode versions.	RC Module AC operating mechanism		100-C with AC coils	‡ 100-FSC48		
					110...280V AC, 50/60 Hz	‡ 100-FSC280	
					380...480V AC, 50/60 Hz	‡ 100-FSC480	
		Varistor Module AC/DC operating mechanism		12...55V AC/ 12...77V DC	100-C with AC coils or 100-C09...-C43 with DC coils	‡ 100-FSV55	
						56...136V AC/ 78...180V DC	‡ 100-FSV136
						137...277V AC/ 181...350V DC	‡ 100-FSV277
						278...575V AC	‡ 100-FSV575
		Diode Module DC operating mechanism		12...250V DC	100-C09...-C43 with DC coils	‡ 100-FSD250	

‡ For screwless terminals, insert "CR" after the "100-" in the catalog number. Example: **Cat. No. 100-FSC48** becomes **Cat. No. 100-CR-FSC48**.

Assembly Components (For 100-C09...C97 contactors)

	Description	For Use With	Pkg. Quantity	Cat. No.
 Cat. No. 100-S0	Dovetail Connectors • For use in contactor and starter assemblies. • Single Connector — 0 mm Spacing	100-C	10	100-S0
	Dovetail Connectors • For use in contactor and starter assemblies. • Dual Connector — 9 mm Spacing			
 Cat. No. 100-SCCA	Protective Covers • Provides protection against unintended manual operation • For contactors and front-mounted auxiliary contacts, pneumatic timers, and latches	100-C all	1	100-SCCA
 Cat. No. 100-SCFA		100-FA, -FB, -FC, -FP, -FL;	10	100-SCFA
 Cat. No. 105-PW23	Reversing Power Wiring Kits • For reversing connection with a solid-state or thermal overload relay	100-C09...C23	1	105-PW23
		100-C30...C37	1	105-PW37
		100-C43	1	105-PW43
		100-C60...C97	1	105-PW85
	DIN (#3) symmetrical hat rail 35 x 7.5 x 1 m	140M-D 140M-F 100-C all	10	199-DR1