

# Product Details and Certifications

**Cross Reference RA Part Number: 100-FSV55 A**

 **Product: 100-FSV55**

Description: Surge Suppressor, Varistor Module, 12...55V AC / 12...77V DC



Representative Photo Only (actual product may vary based on configuration sections)

## **ACCESSORY SELECTION**

---


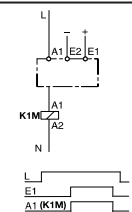

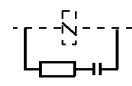
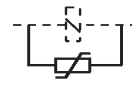
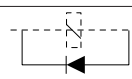
Bulletin Number	100-F IEC Contactor Accessories
Accessory Selection	Individual Accessory Selection

## **APPLICATION DATA**

---





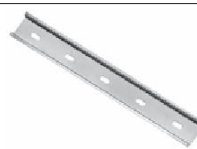
100-C Accessories	Surge Suppressor (w/AC and 'Z' type DC Coils Only)
-------------------	--

Control Modules (For 100-C09...C97 contactors), Continued

	Description	Voltage Range	Connection Diagrams	For Use With	Cat. No.	
	<b>DC Interface (Electronic)</b> <ul style="list-style-type: none"> <li>Interface between the DC control signal (PLC) and the AC operating mechanism of the contactor.</li> <li>Requires no additional surge suppression on the relay coils</li> </ul>	Input: 12V DC Output: 110...240V AC		100-C with AC coils 110...240V AC	100-JE12	
		Input: 18...30V DC Output: 110...240V AC			100-JE	
		Input: 48V DC Output: 110...240V AC			100-JE48	
	<b>Surge Suppressors</b> <ul style="list-style-type: none"> <li>For limitation of coil switching transients.</li> <li>Plug-in, coil mounted.</li> <li>Suitable for 100-C contactor sizes, 9...97 A.</li> <li>RC, varistor, and diode versions.</li> </ul>	<b>RC Module</b> AC operating mechanism		100-C with AC coils	‡ 100-FSC48	
					110...280V AC, 50/60 Hz	‡ 100-FSC280
					380...480V AC, 50/60 Hz	‡ 100-FSC480
	<b>Varistor Module</b> AC/DC operating mechanism		100-C with AC coils or 100-C09...-C43 with DC coils	‡ 100-FSV55		
				12...55V AC/ 12...77V DC	‡ 100-FSV136	
				56...136V AC/ 78...180V DC	‡ 100-FSV277	
				137...277V AC/ 181...350V DC	‡ 100-FSV575	
278...575V AC						
<b>Diode Module</b> DC operating mechanism		100-C09...-C43 with DC coils	‡ 100-FSD250			
12...250V DC						

‡ For screwless terminals, insert "CR" after the "100-" in the catalog number. Example: **Cat. No. 100-FSC48** becomes **Cat. No. 100-CR-FSC48**.

Assembly Components (For 100-C09...C97 contactors)

	Description	For Use With	Pkg. Quantity	Cat. No.
 Cat. No. 100-S0	<b>Dovetail Connectors</b> <ul style="list-style-type: none"> <li>For use in contactor and starter assemblies.</li> <li>Single Connector — 0 mm Spacing</li> </ul>	100-C	10	100-S0
	<b>Dovetail Connectors</b> <ul style="list-style-type: none"> <li>For use in contactor and starter assemblies.</li> <li>Dual Connector — 9 mm Spacing</li> </ul>			10
 Cat. No. 100-SCCA	<b>Protective Covers</b> <ul style="list-style-type: none"> <li>Provides protection against unintended manual operation</li> <li>For contactors and front-mounted auxiliary contacts, pneumatic timers, and latches</li> </ul>	100-C all	1	100-SCCA
 Cat. No. 100-SCFA		100-FA, -FB, -FC, -FP, -FL;	10	100-SCFA
 Cat. No. 105-PW23	<b>Reversing Power Wiring Kits</b> <ul style="list-style-type: none"> <li>For reversing connection with a solid-state or thermal overload relay</li> </ul>	100-C09...C23	1	105-PW23
		100-C30...C37	1	105-PW37
		100-C43	1	105-PW43
		100-C60...C97	1	105-PW85
	<b>DIN (#3) symmetrical hat rail</b> 35 x 7.5 x 1 m	140M-D 140M-F 100-C all	10	199-DR1