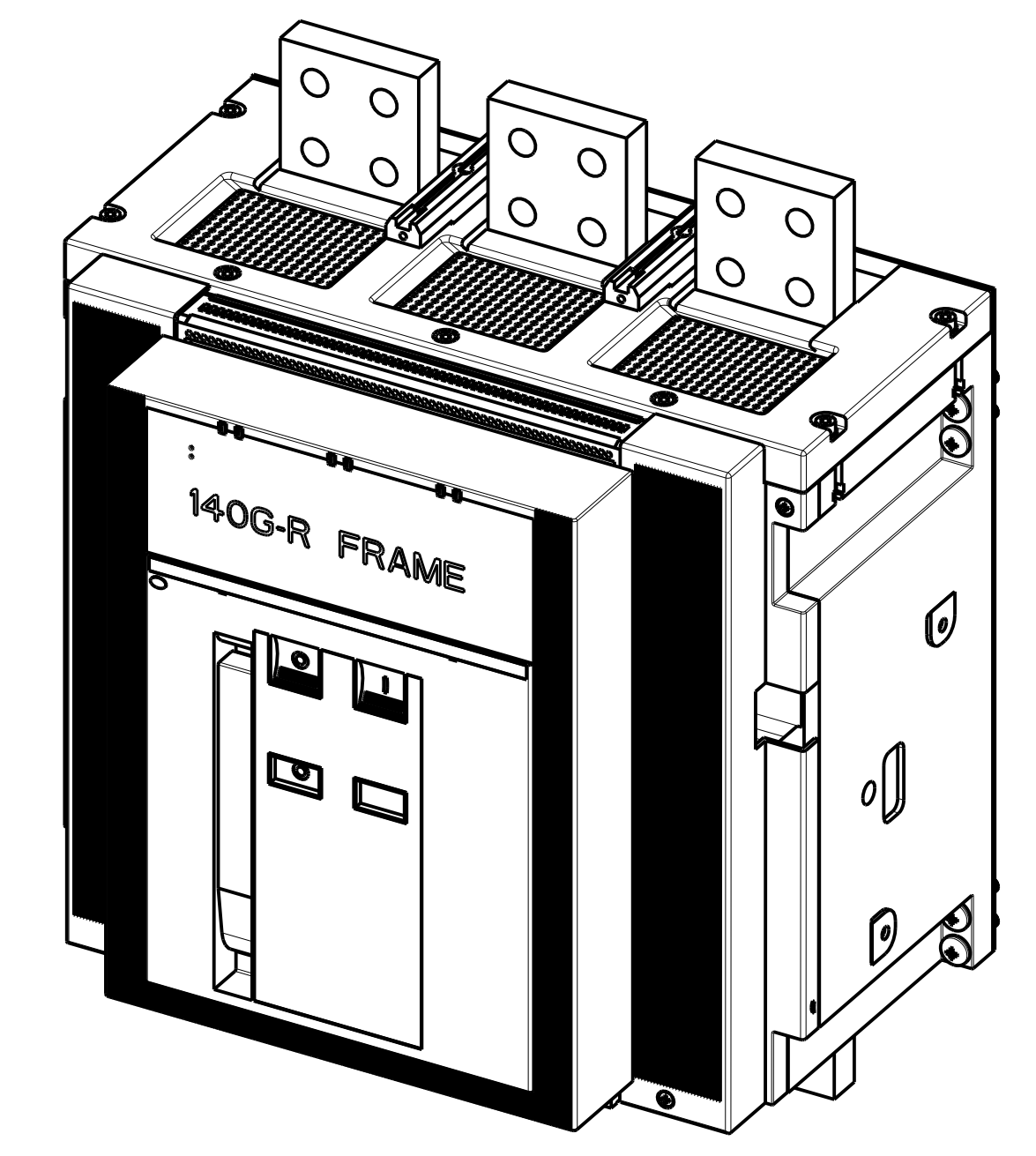
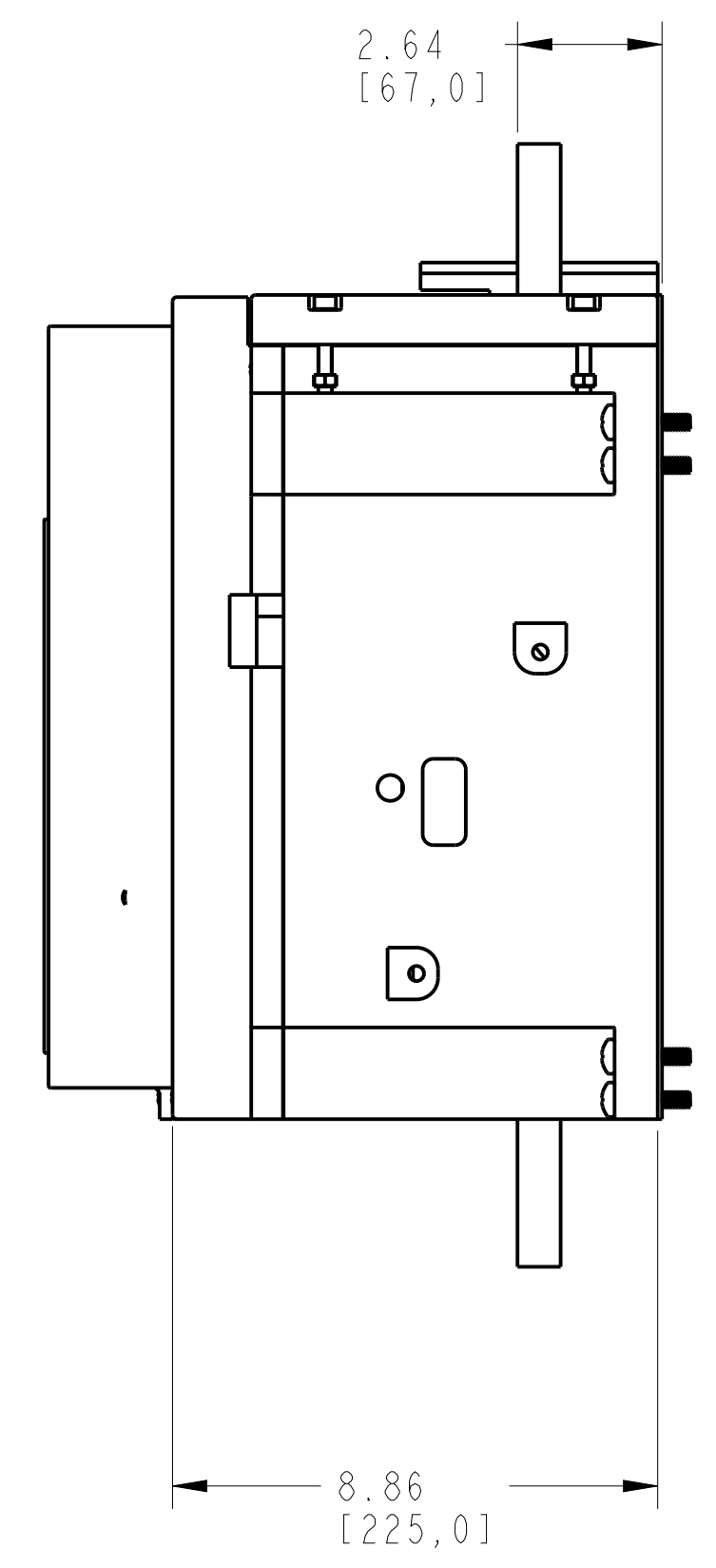
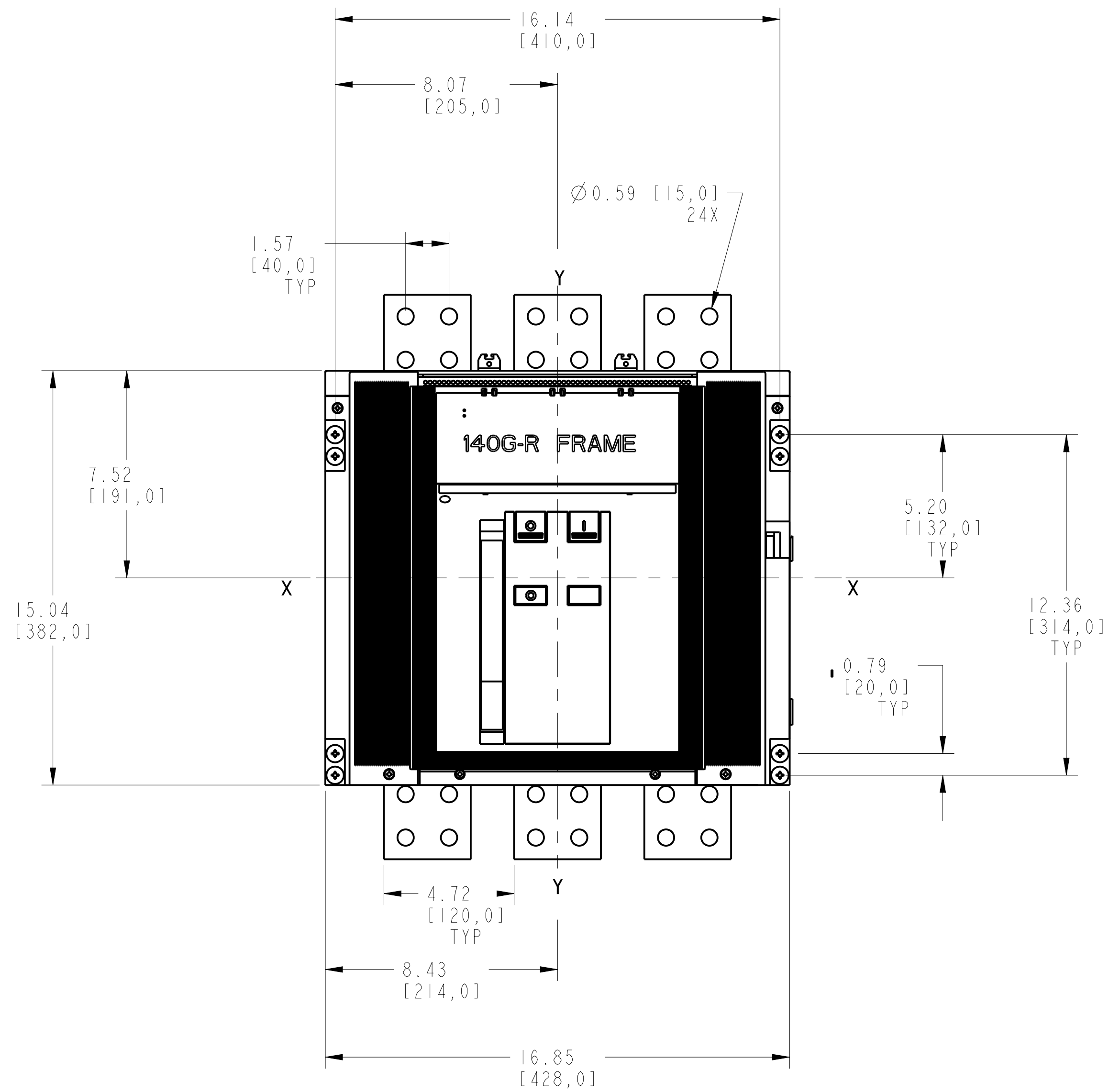
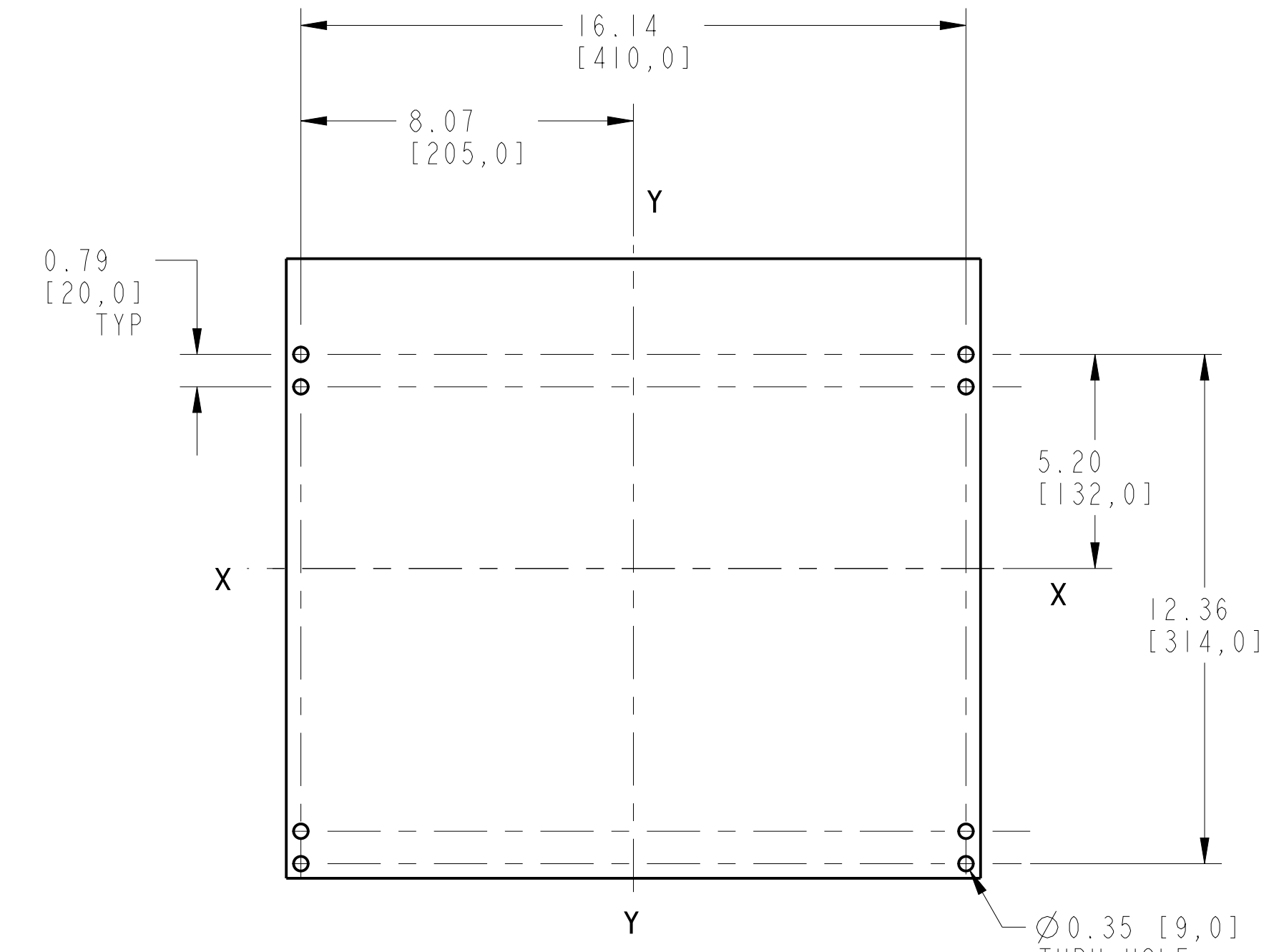
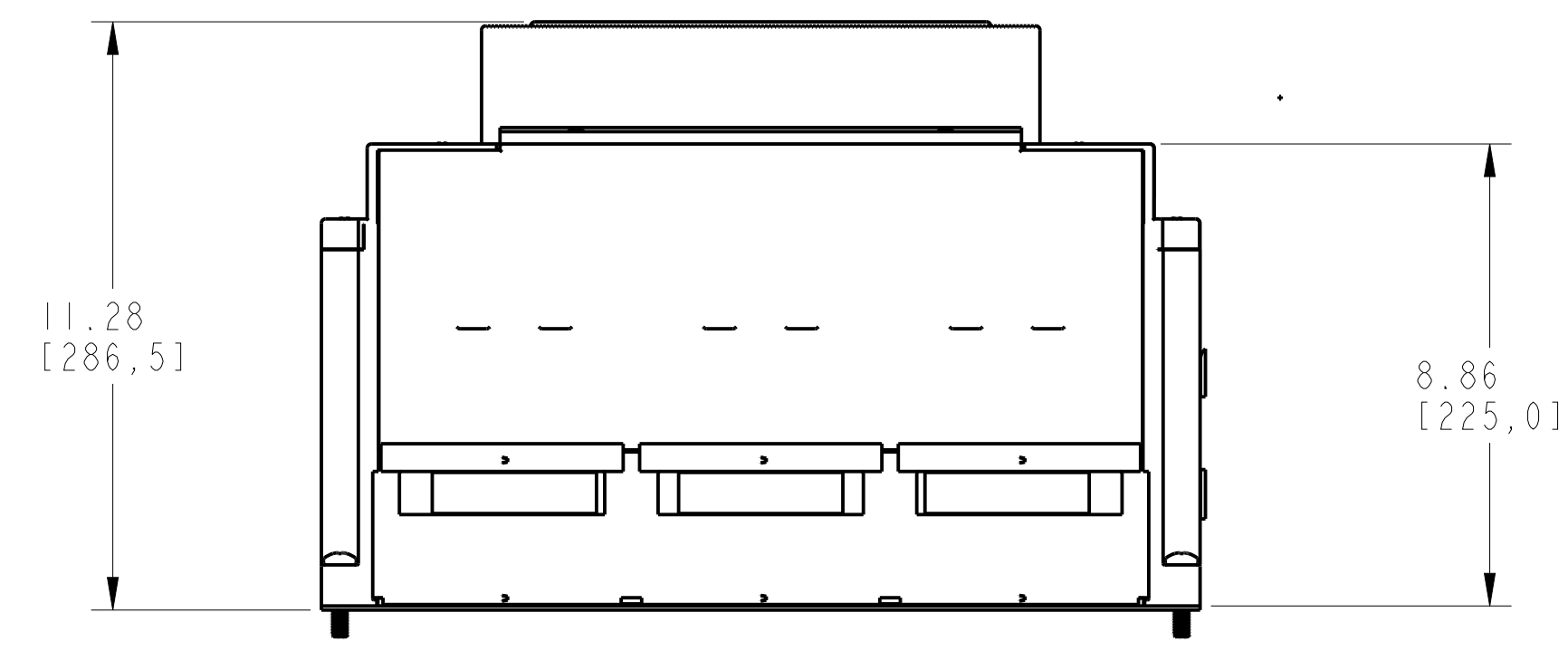


1 2 3 4 5 6 7 8

A  
B  
C  
D  
E  
F  
G  
H



ISOMETRIC VIEW



DRILLING FOR FIXING CIRCUIT BREAKER  
SCALE 0.3:1

		<small>CONFIDENTIAL AND PROPRIETARY INFORMATION. THIS DOCUMENT CONTAINS CONFIDENTIAL AND PROPRIETARY INFORMATION OF ROCKWELL AUTOMATION, INC. AND MAY NOT BE USED, COPIED OR DISCLOSED TO OTHERS, EXCEPT WITH THE AUTHORIZED WRITTEN PERMISSION OF ROCKWELL AUTOMATION, INC.</small>	
		Sheet 1 Of 1	
140G-R-3POLE MOLDED CASE CIRCUIT BREAKER		Size D	Part No. 1000886206
Drawn by: UMUNUSW	Date: 11-15-13	Ver. 00	