

Product Details and Certifications

Cross Reference RA Part Number: 74103-086-51

 **Product: 1321-M009**

Description: Common Mode Choke, 9 Amps, Open Style (with Terminal Strip)



Representative Photo Only (actual product may vary based on configuration sections)

ACCESSORY SELECTION

Bulletin Number	1321- Common Mode Choke
Current Rating (A)	9 Amps

SELECTION

1321-M Common Mode Choke, 9A Open Style with Terminal Strip

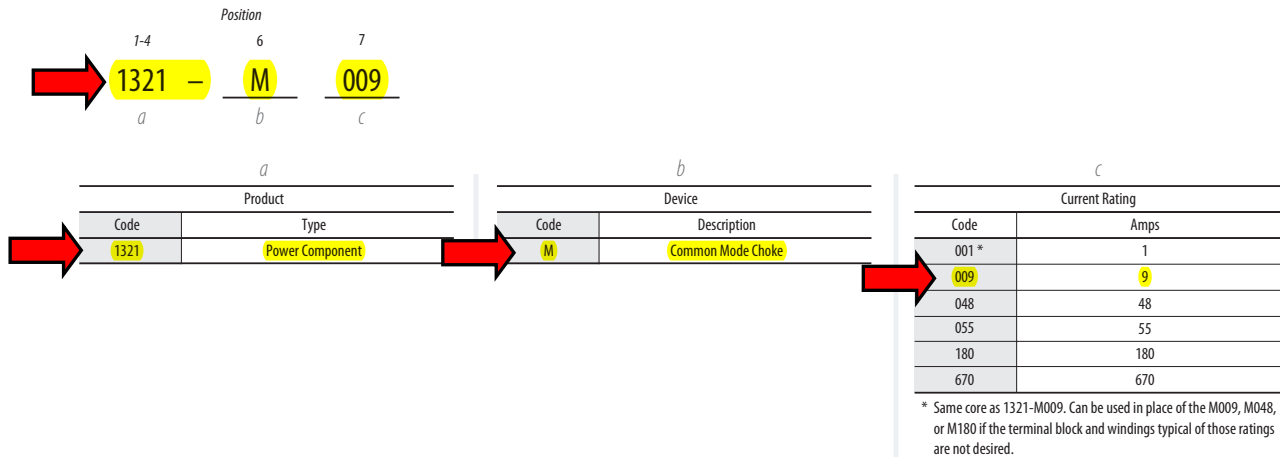
1321-Mxxx Common Mode Chokes

1321-Mxxx Common Mode Chokes can be installed with the following Allen-Bradley AC drives.

- PowerFlex® 4-Class
- PowerFlex® 520-Series
- PowerFlex® 7-Class
- PowerFlex® 750-Series
- 1305
- 1336 PLUS™
- 1336 PLUS™ II
- 1336 IMPACT™
- 1336 FORCE™

When installed at the drive output the common mode choke helps to guard against interference with other electrical equipment (Programmable Controllers, sensors, analog circuits, and so forth). In addition, reducing the PWM carrier frequency reduces the effects and lowers the risk of common mode noise interference.

Catalog Number Explanation



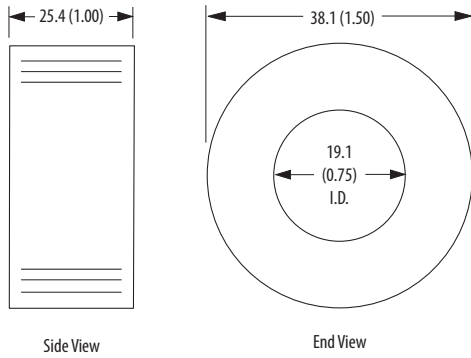
Ratings

PowerFlex AC Drives

Choke Type	Used With	Ratings	Catalog Number
Open Style, 1A	All PowerFlex Drives	Communication Cables, Analog Signal Cables, and so forth	1321-M001
Open Style, 9A (with terminal strip)	PowerFlex 4M/4/40/40P	0.2...1.1 kW (0.25...2 HP), 100...115V 0.2...1.5 kW (0.25...2 HP), 200...240V 0.4...2.2 kW (0.5...3 HP), 380...480V	1321-M009
	PowerFlex 400	2.2 kW (3 HP) 400...480V	
	PowerFlex 520-Series	0.2...1.1 kW (0.25...1.5 HP), 100...120V 0.2...1.1 kW (0.25...2 HP), 208...240V 0.4...2.2 kW (0.5...3 HP), 400...480V	
	PowerFlex 7-Class	0.3...2.2 kW (0.5...3 HP), 208...230V 0.4...4 kW (0.5...5 HP), 400...480V	
	PowerFlex 750-Series	0.75...4 kW (0.5...5 HP), 400...480V	
Open Style, 48A	PowerFlex 4M/4/40/40P	2.2...7.5 kW (3...10 HP), 200...240V 2.2...11 kW (3...15 HP), 380...480V 2.2...11 kW (3...15 HP), 600V	1321-M048
	PowerFlex 400	2.2...11 kW (3...15 HP), 200...240V 4...22 kW (5...30 HP), 380...480V	
	PowerFlex 520-Series	0.2...14 kW (3...20 HP), 200...240V 4...22 kW (5...30 HP), 400...480V 5.5...22 kW (7.5...30 HP), 600V	
	PowerFlex 7-Class	2.2...11 kW (3...15 HP), 208...240V 4...22 kW (5...30 HP), 400...480V 5.5...37 kW (10...40 HP), 600V	
	PowerFlex 750-Series	5.5...22 kW (7.5...30 HP), 400...480V 5.5...37 kW (7.5...40 HP), 600...690V	

Approximate Mounting Dimensions

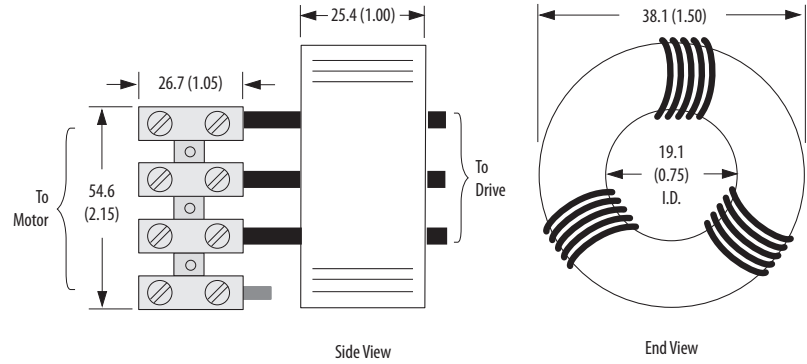
1321-M001 Choke Assembly



Dimensions in mm (inches)

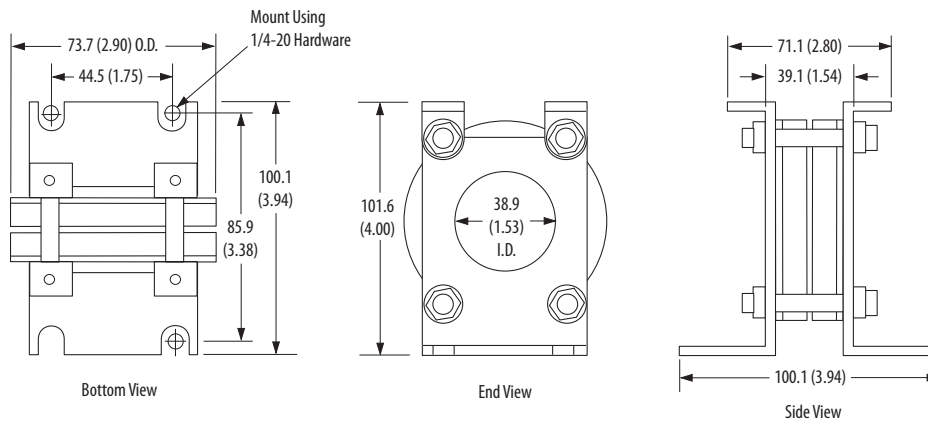


1321-M009 Choke Assembly



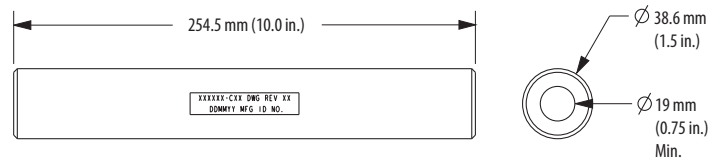
Dimensions in inches (mm)

1321-M048 Choke Assembly



Dimensions are in mm (in.)

1321-M055 Choke Assembly



Dimensions in mm (inches)