

**Product:** 140G-N0K3-E12

**Description:** 140G Molded Case Circuit Breakers & Molded Case Switch



Representati  
Photo Only (actual product may vary based o  
configuration selections)

**Circuit Breaker Data**

Device Type	140G - Molded Case Circuit Breaker
Number of Poles	3 Poles
Frame Size	N frame
Rated Current(A)	1200 A
Protection	LSIG-M (electronic)
Current Range	80% Rated
<b>Manufacturing</b>	
Assembly	Factory Assembled

# 1200 A, N-Frame Molded Case Circuit Breakers

## Catalog Number Explanation

### Complete Circuit Breaker Assemblies — 1200 A, N-Frame

Examples given in this section are not intended to be used for product selection. Use ProposalWorks to configure the molded case circuit breaker. These configurations are for selection of all factory-installed options for shunt trips, undervoltage release units, auxiliary contacts, and alarm contacts. Use the codes from Table [h](#) to add on to the molded case circuit breaker cat. no. selected on the following pages to form a complete cat. no. with factory-installed options. ProposalWorks is available from <http://www.rockwellautomation.com/global/e-tools/overview.page>. Note: Terminal lugs are not supplied and can be ordered separately. See [page 85](#) for available lugs.



140G
   -
  N  
  5  
  H  
  3  
   -
  E12  
   -
  
  SD  
   -
  AB  

a
b
c
d
e
f
g
h
h

a		b		c		d	
Bulletin Number		Frame/Rating		Interrupting Rating/Breaking Capacity (based on $I_c$ at 480V)		Protection Type	
Code	Description	Code	Description	Code	Description	Code	Description
140G	Global Molded Case Circuit Breaker	N	1200 A	5	50 kA	H	Electronic LSI-long, short, and instant
				6	65 kA	I	Electronic LSIG -long, short, instant, and ground fault
				0	100 kA	K	Electronic LSIG-MM -long, short, instant, ground fault, and MM
				T	Trip unit	S	Molded case switch (isolator)

e		f		g		h	
Poles		Current Range		Rating <sup>(1)</sup>		Factory-Installed Internal Options <sup>(2)</sup>	
Code	Description	Code	Description	Code	Description	Code	Description
3	3 poles	E12	1200 A rating plug, standard	No Digit	80% Rated	SJ	Shunt Trip, 24V AC/DC
4	4 poles			Z1	100% Rated	SK	Shunt Trip, 48V AC/DC

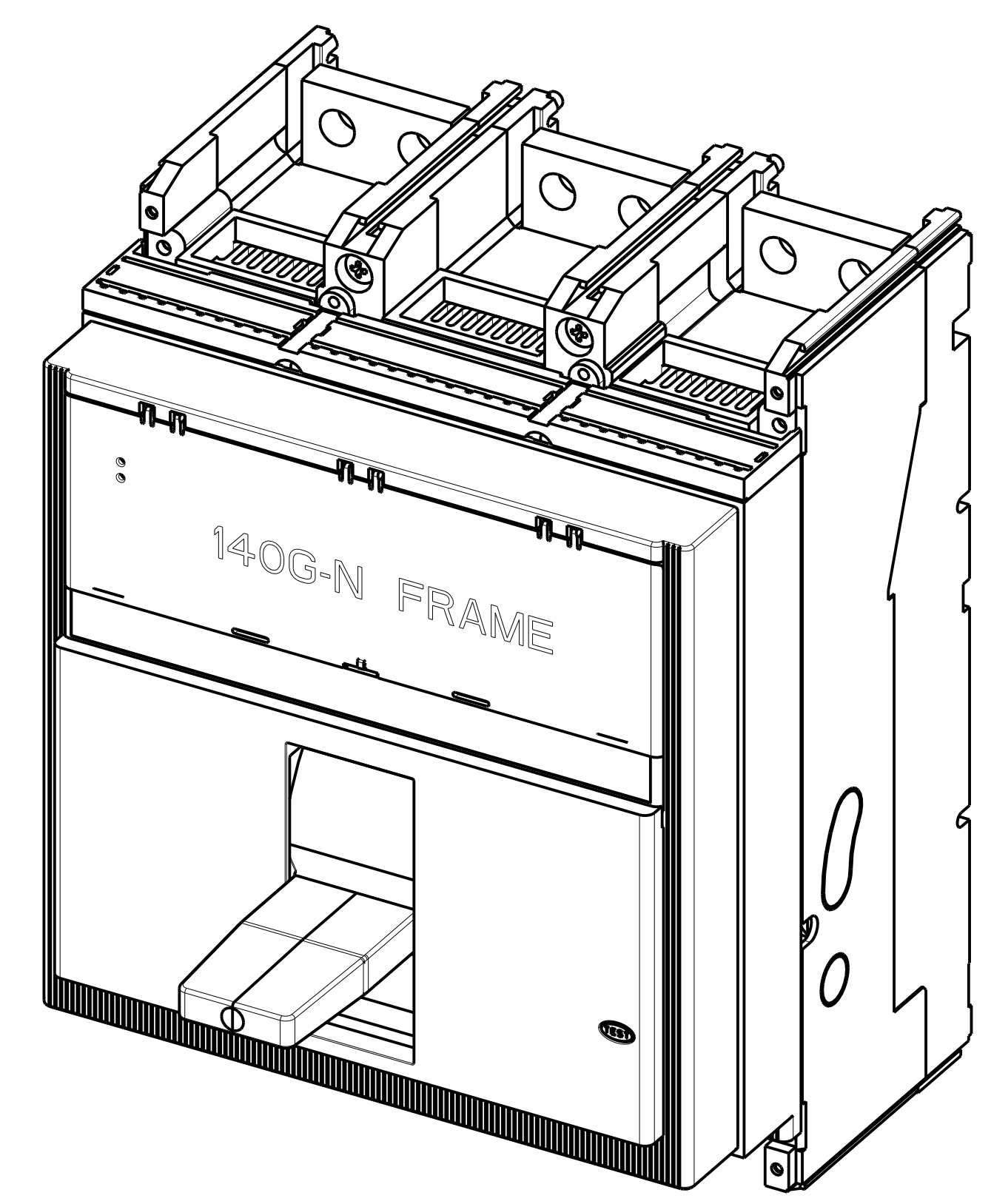
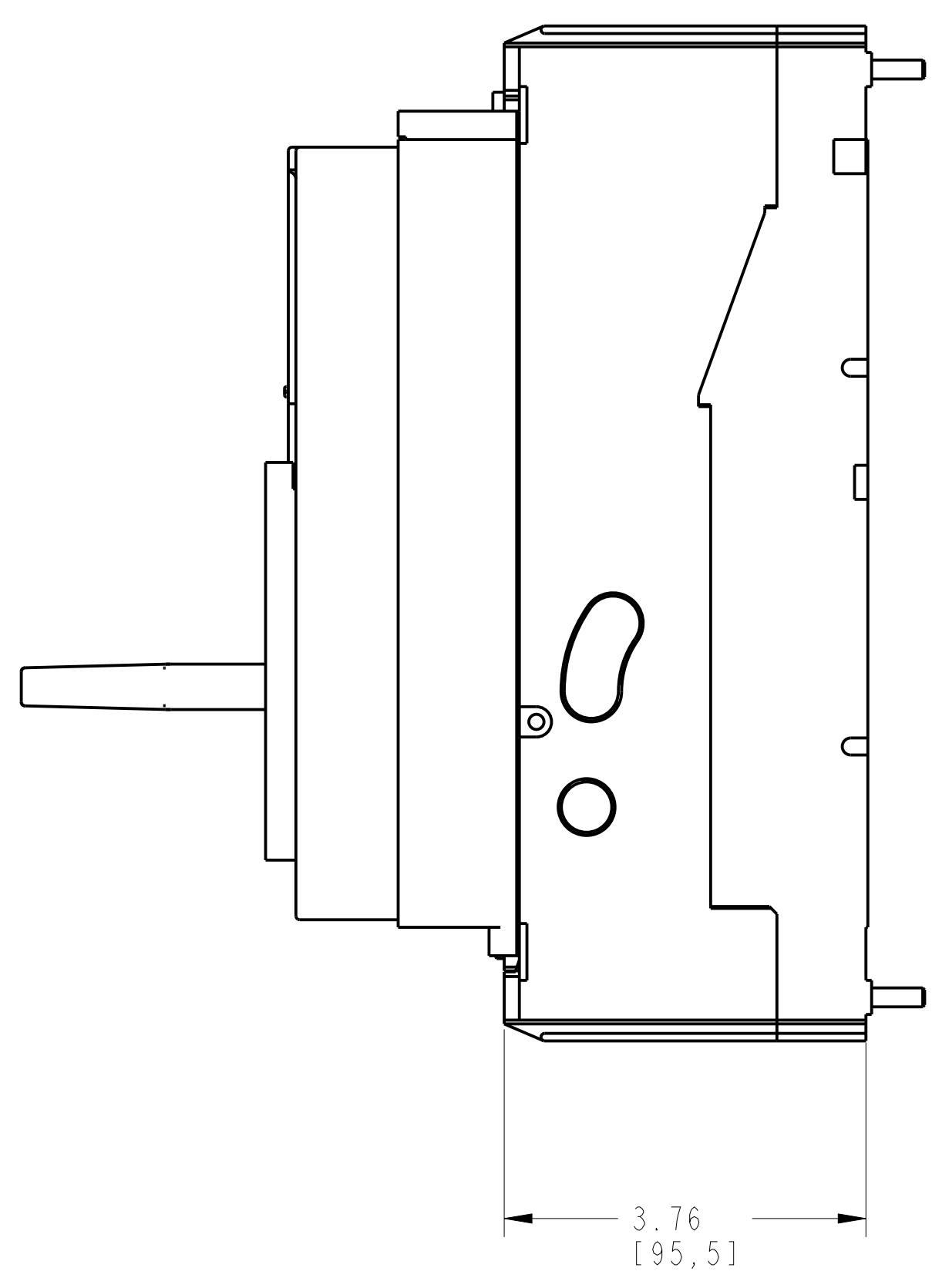
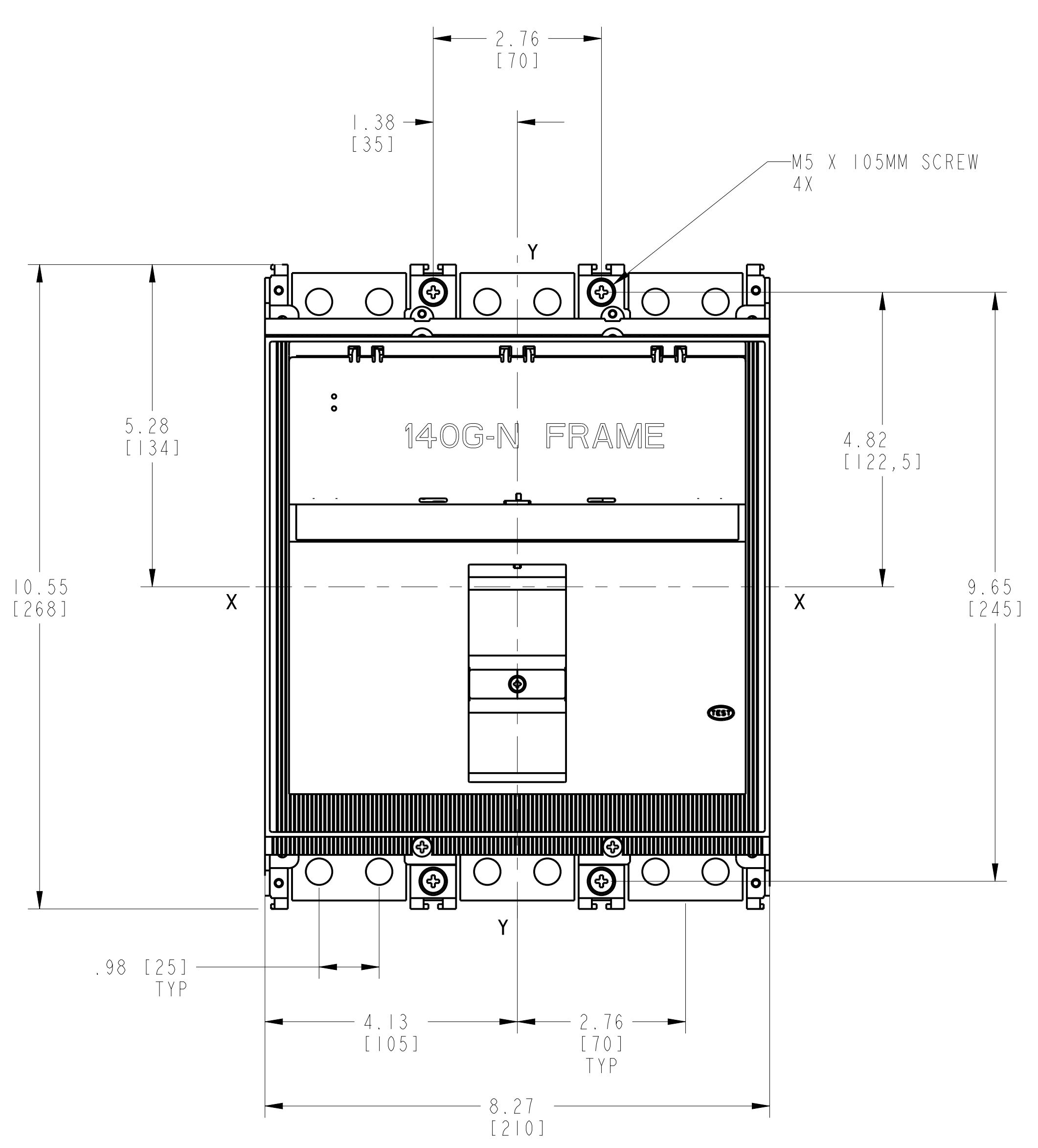
  

Shunt Trip and Undervoltage Release Units	
Code	Description
SD	Shunt Trip, 110...120V AC/DC
SA	Shunt Trip, 220...240V AC/DC
SB	Shunt Trip, 380V AC
SC	Shunt Trip, 415...440V AC
UJ	Undervoltage Release, 24V AC/DC
UD	Undervoltage Release, 110...120V AC/DC
UA	Undervoltage Release, 220...240V AC/DC
UB	Undervoltage Release, 380...400V AC
UC	Undervoltage Release, 415...440V AC
No Digit	No Selection

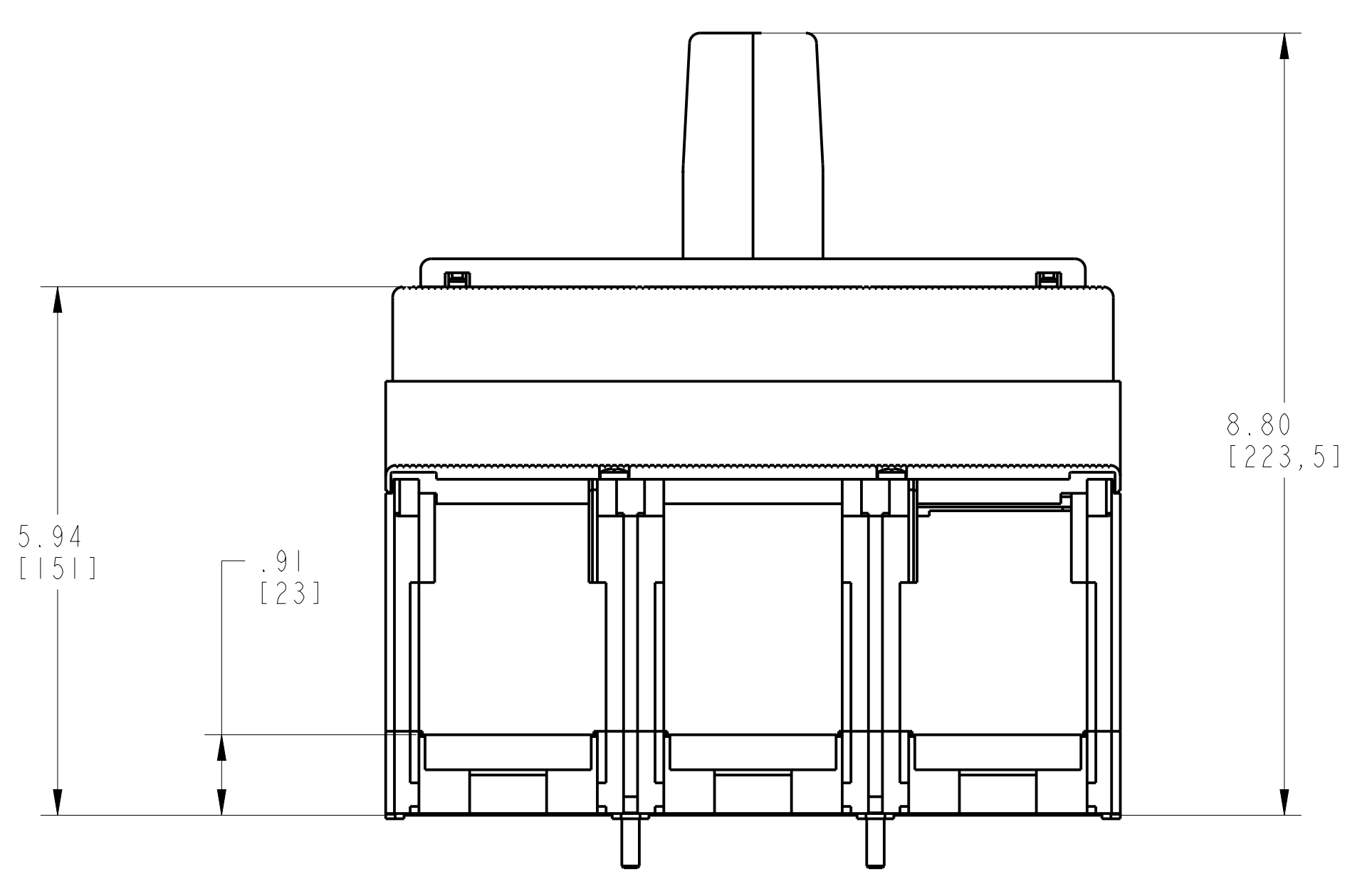
  

Auxiliary and Alarm Contacts	
Code	Description
AJ	1 Aux., 1 Alarm Contact, 24V
FJ	2 Aux. Contacts, 24V
AB	1 Aux., 1 Alarm Contact, 400V
FB	2 Aux. Contacts, 400V

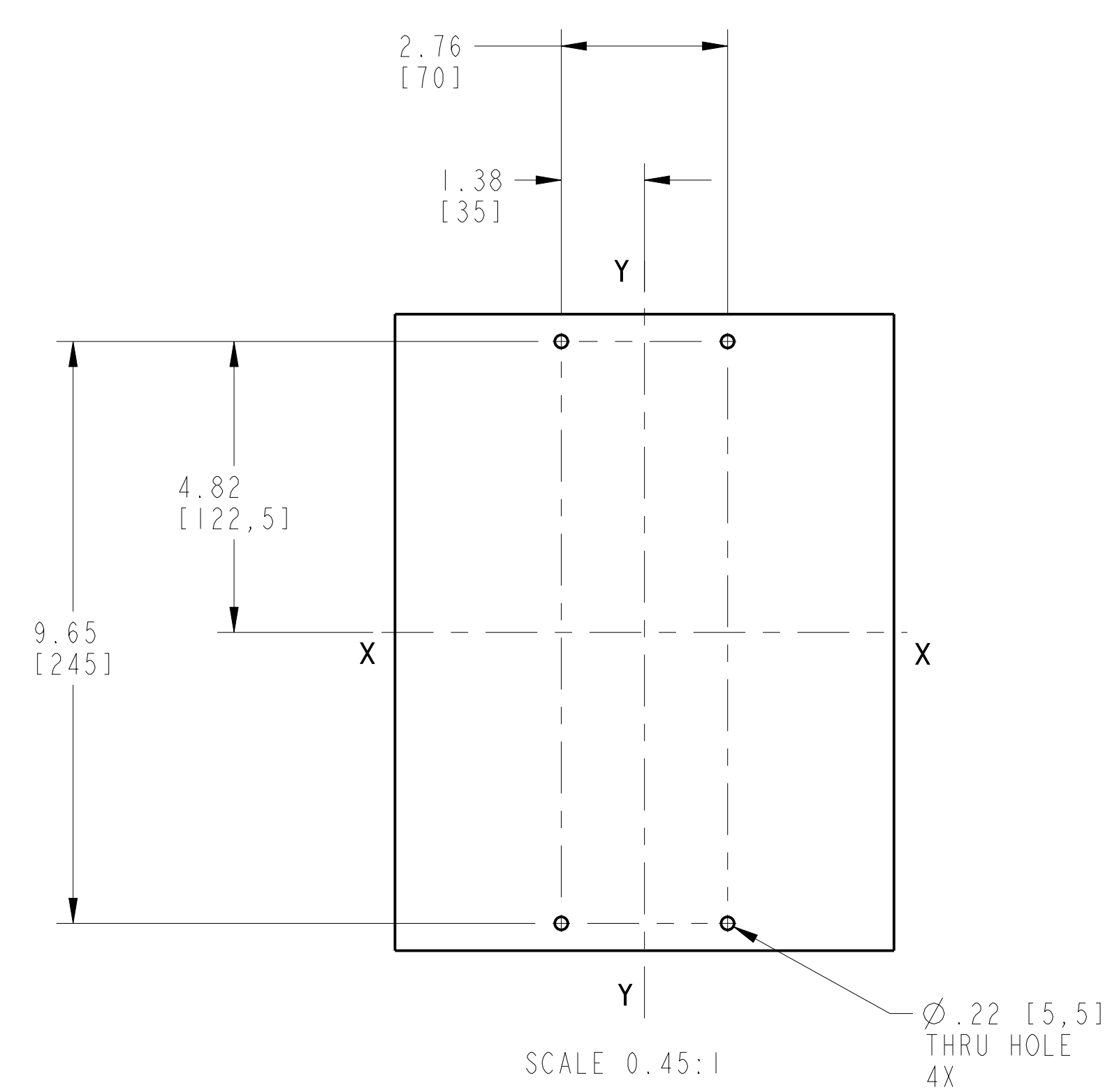
(1) For more information about 80% and 100% ratings, please see [page 13](#).  
 (2) Select up to two internal options: 1 for lower right side mounting (shunt trip or undervoltage release), 1 for upper right (auxiliary or alarm contact).



ISOMETRIC VIEW



SCALE 0.65:1



DRILLING FOR FIXING CIRCUIT BREAKER

<b>Rockwell Automation</b>		<small>CONFIDENTIAL AND PROPRIETARY INFORMATION. THIS DOCUMENT CONTAINS CONFIDENTIAL AND PROPRIETARY INFORMATION OF ROCKWELL AUTOMATION, INC. AND MAY NOT BE USED, COPIED OR DISCLOSED TO OTHERS, EXCEPT WITH THE AUTHORIZED WRITTEN PERMISSION OF ROCKWELL AUTOMATION, INC.</small>	
		Sheet 1 of 1	
140G-N4-POLE MOLDED CASE CIRCUIT BREAKER		Size <b>D</b>	Part No. <b>10000848810</b>
Drawn by: UMUNUSW	Date: OCT-16-2013	Ver <b>00</b>	