

**Product:** 140G-R12K3-E20

**Description:** 140G Molded Case Circuit Breakers & Molded Case Switch



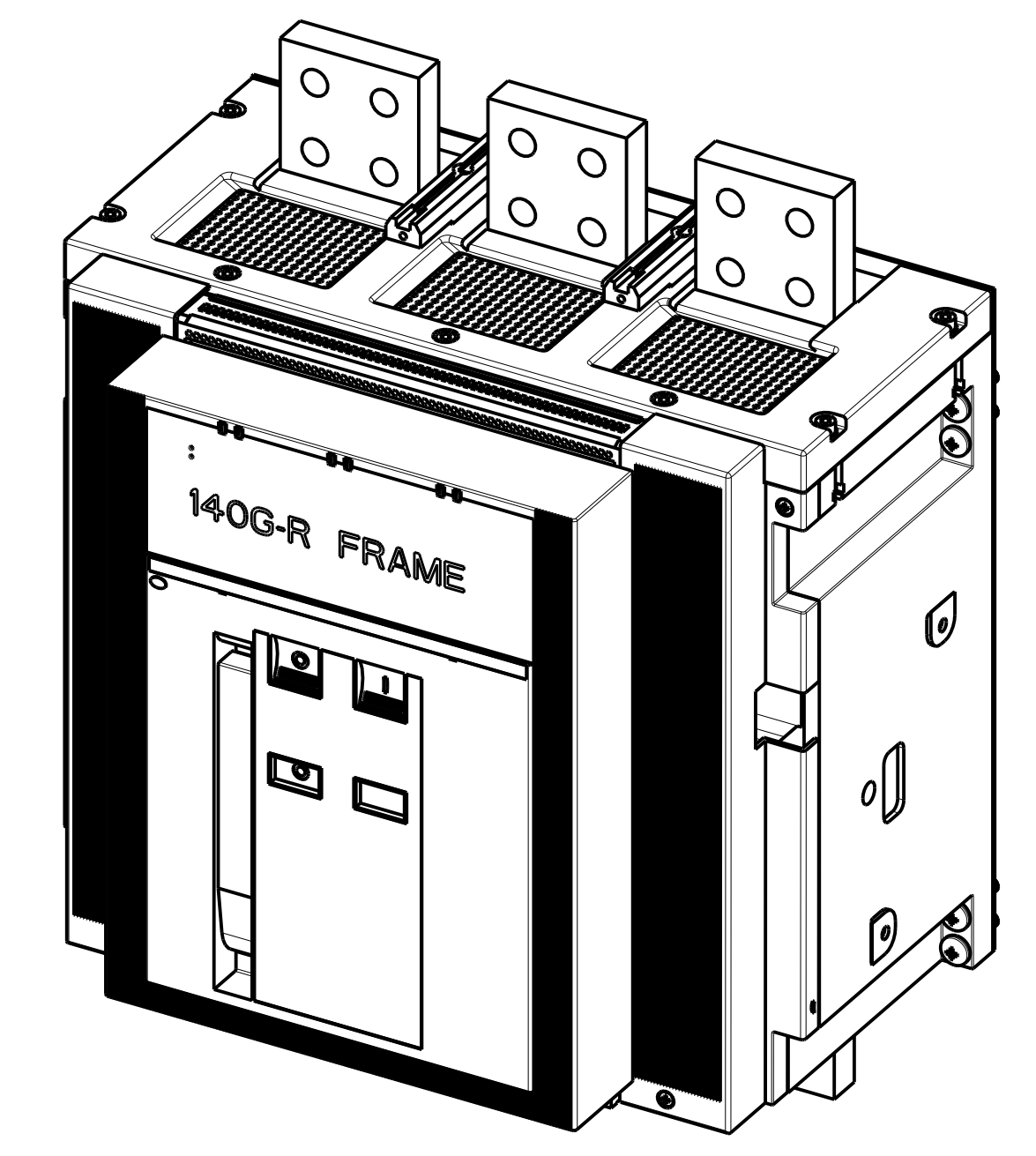
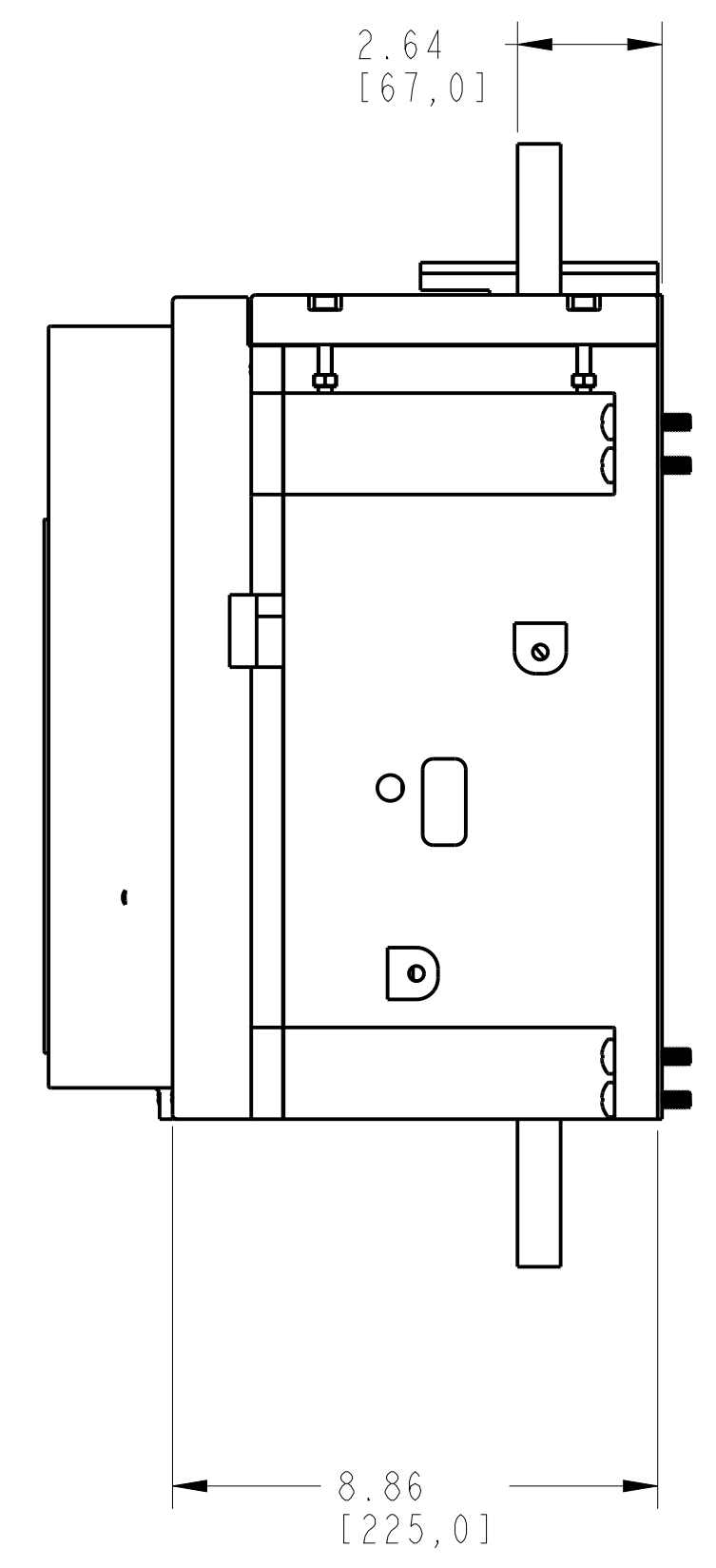
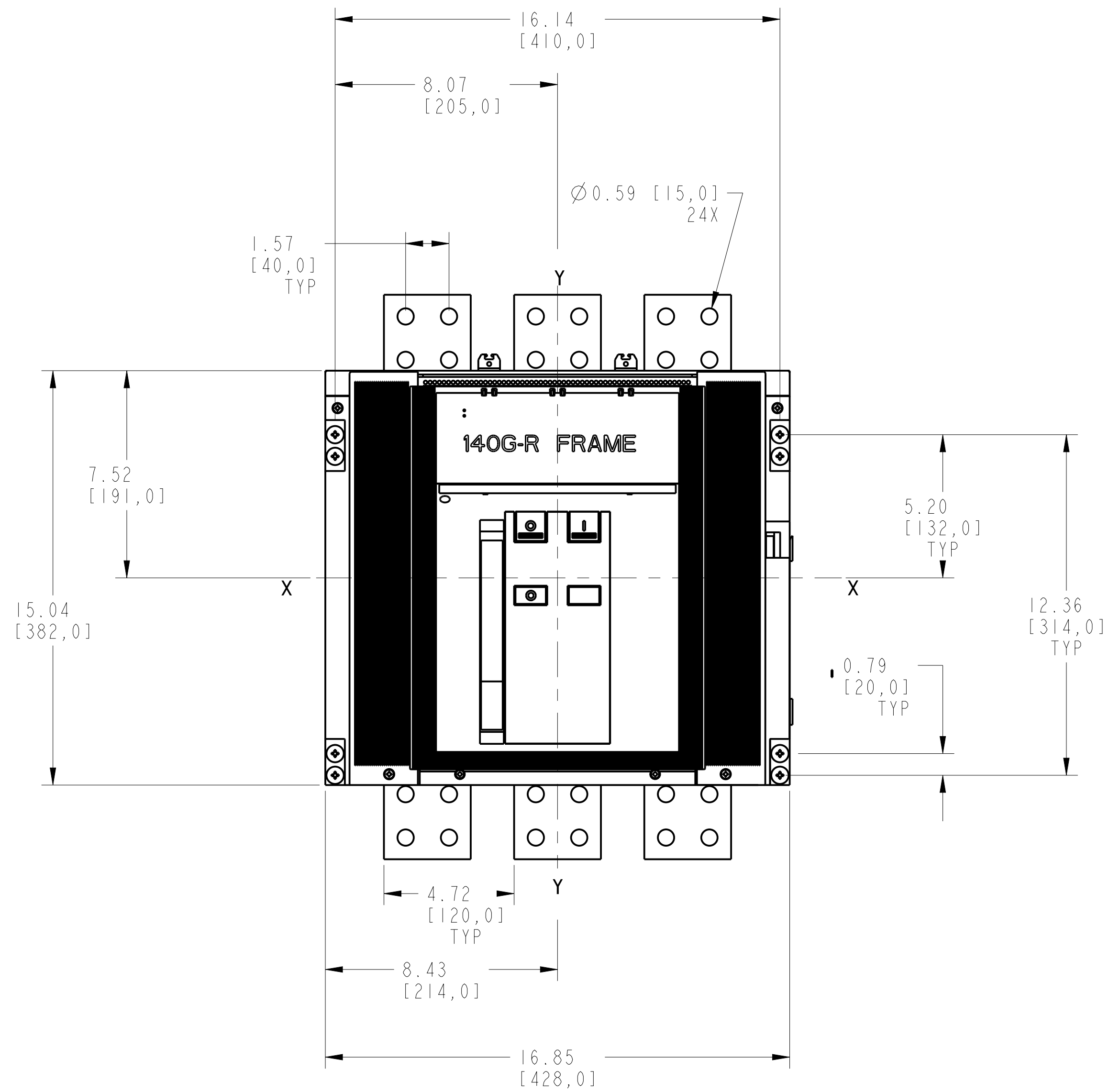
Representati  
Photo Only (actual product may vary based o  
configuration selections)

**Circuit Breaker Data**

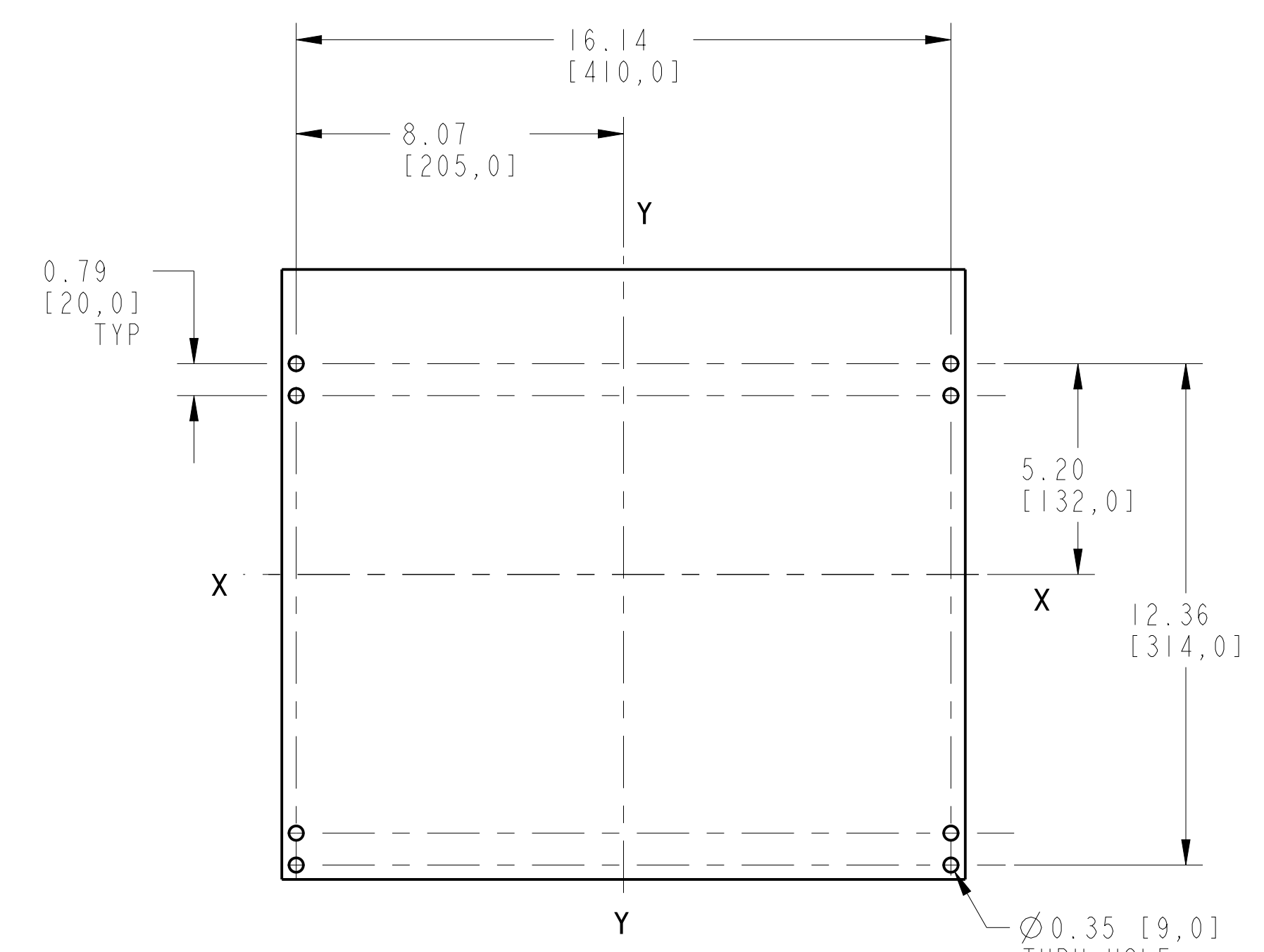
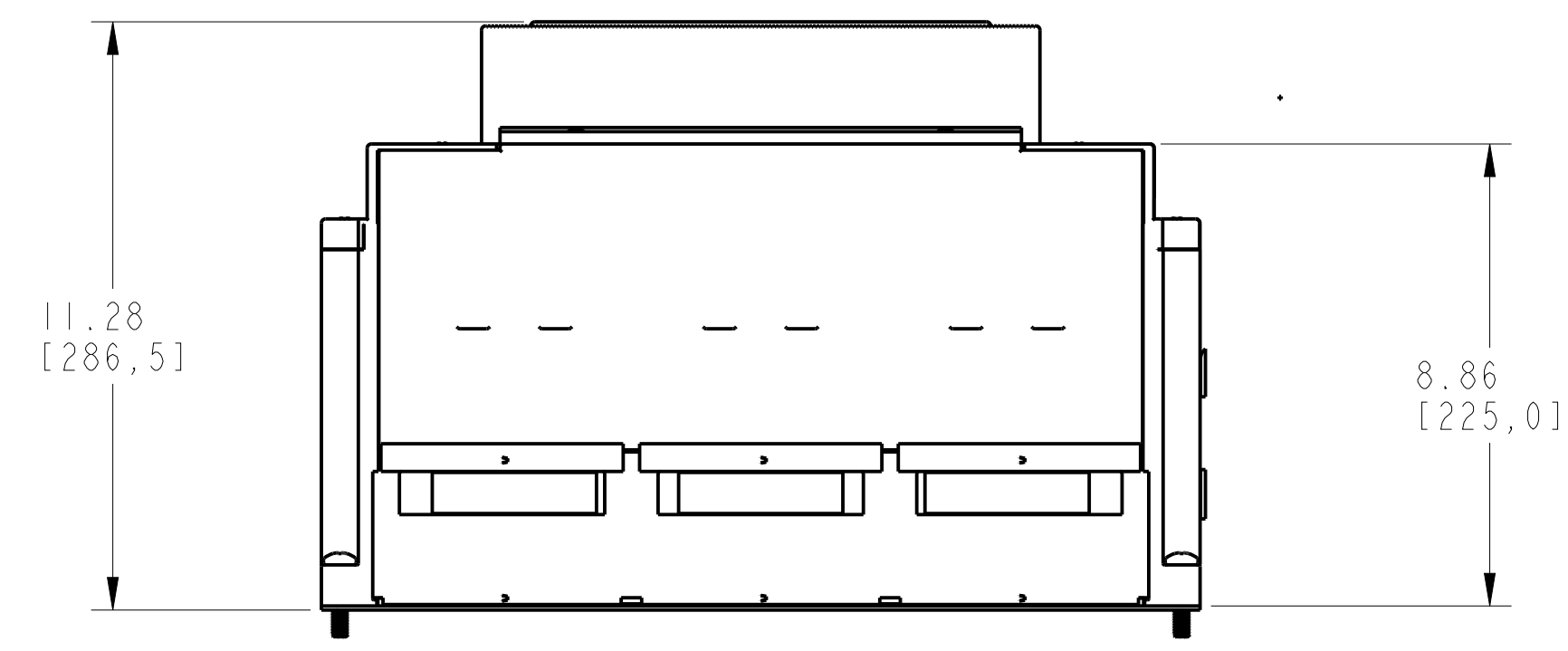
Device Type	140G - Molded Case Circuit Breaker
Number of Poles	3 Poles
Frame Size	R frame
Rated Current(A)	2000 A
Protection	LSIG-M (electronic)
Current Range	80% Rated
Door Interlock	With Door Interlock
<b>Manufacturing</b>	
Assembly	Factory Assembled

1 2 3 4 5 6 7 8

A  
B  
C  
D  
E  
F  
G  
H



ISOMETRIC VIEW



DRILLING FOR FIXING CIRCUIT BREAKER  
SCALE 0.3:1

		<small>CONFIDENTIAL AND PROPRIETARY INFORMATION. THIS DOCUMENT CONTAINS CONFIDENTIAL AND PROPRIETARY INFORMATION OF ROCKWELL AUTOMATION, INC. AND MAY NOT BE USED, COPIED OR DISCLOSED TO OTHERS, EXCEPT WITH THE AUTHORIZED WRITTEN PERMISSION OF ROCKWELL AUTOMATION, INC.</small>	
		Sheet 1 Of 1	
140G-R-3POLE MOLDED CASE CIRCUIT BREAKER		Size D	Part No. 1000886206
Drawn by: UMUNUSW	Date: 11-15-13	Ver 00	