



Instrument Transformers, Inc.

a division of GE Multilin



➔ Cross Reference RA Part Number 1411-126-501

Current Transformer Model 126

Window Diameter 8.25"

REGULATORY AGENCY APPROVALS



E93779



LR89403

Manufactured to meet the requirements of ANSI/IEEE C57.13. Classified by U.L. in accordance with IEC 44-1



APPLICATION:
Metering.

FREQUENCY:
50-400 Hz.

INSULATION LEVEL:
600 Volts, 10 kV BIL full wave.

Terminals are brass screws No. 10-32 with one flatwasher and lockwasher.

Order mounting bracket kit 0221B01529 separately.

Multi-ratios available upon request.

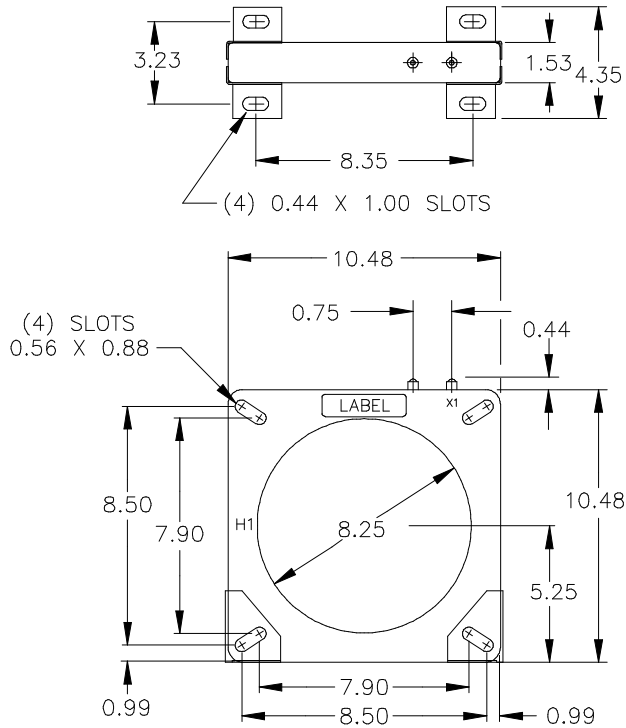
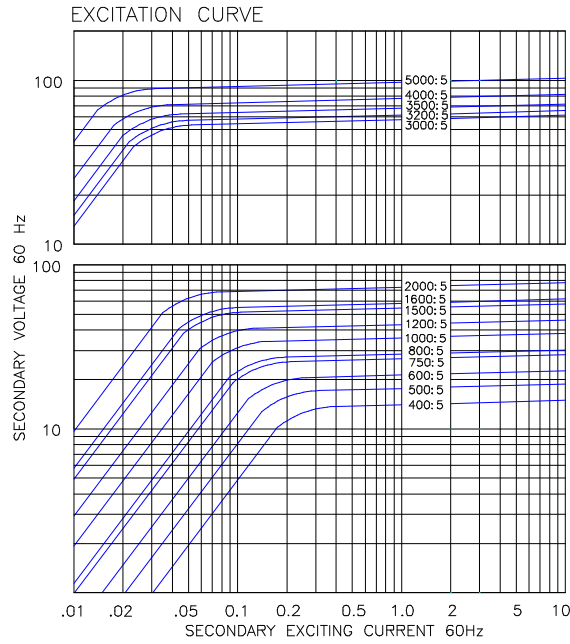
Approximate weight 5.5 lbs.

2

CATALOG NUMBER	CURRENT RATIO	V. A. + 1% CLASS	ANSI METERING CLASS AT 60HZ					SECONDARY WINDING RESISTANCE (OHMS @ 75°C)	CONTINUOUS THERMAL RATING FACTOR	
			BO.1	BO.2	BO.5	BO.9	B1.8		@ 30°C	@ 55°C
126-401	400:5	4.0	0.6	1.2	2.4	4.8	4.8	0.116	2.0	2.0
➔ 126-501	500:5	7.5	0.6	0.6	1.2	2.4	2.4	0.145	2.0	2.0
126-601	600:5	10.0	0.6	0.6	1.2	1.2	2.4	0.173	2.0	2.0
126-751	750:5	15.0	0.3	0.6	0.6	1.2	1.2	0.217	2.0	1.5
126-801	800:5	20.0	0.3	0.3	0.6	0.6	1.2	0.231	2.0	1.5
126-102	1000:5	25.0	0.3	0.3	0.6	0.6	1.2	0.289	2.0	1.5
126-122	1200:5	40.0	0.3	0.3	0.3	0.6	0.6	0.347	1.5	1.33
126-152	1500:5	50.0	0.3	0.3	0.3	0.3	0.6	0.434	1.5	1.0
126-162	1600:5	50.0	0.3	0.3	0.3	0.3	0.6	0.462	1.5	1.0
126-202	2000:5	60.0	0.3	0.3	0.3	0.3	0.3	0.578	1.33	1.0
126-252	2500:5	75.0	0.3	0.3	0.3	0.3	0.3	0.904	1.0	0.8
126-302	3000:5	90.0	0.3	0.3	0.3	0.3	0.3	0.722	1.33	1.0
126-322	3200:5	95.0	0.3	0.3	0.3	0.3	0.3	0.770	1.33	1.0
126-352	3500:5	100.0	0.3	0.3	0.3	0.3	0.3	0.842	1.0	0.8
126-402	4000:5	125.0	0.3	0.3	0.3	0.3	0.3	0.962	1.0	0.8
126-502	5000:5	140.0	0.3	0.3	0.3	0.3	0.3	1.203	1.0	0.8

Model 126

2



USA, Canada, Asia, Latin America
 Tel: +1-800-547-8629
 Fax: +1-905-201-2455
 e-mail: sales.multilin@ge.com

Europe, Middle East, Africa
 Tel: +34-94-485-88-00
 Fax: +34-94-485-88-45
 e-mail: gemultilin.euro@ge.com