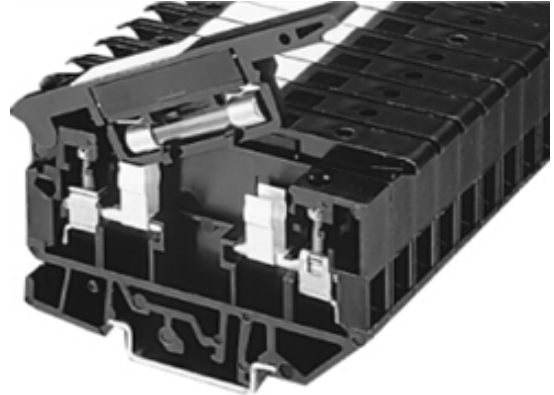


# Product Details and Certifications

Cross Reference RA Part Number: 1492-H4 E

 **Product: 1492-H4**

Description: Finger-Safe Single Circuit Fuse Block, Neon Blown Fuse Indicator, #30 - #12 AWG, Black, Pkg. Qty. of 25



Representative Photo Only (actual product may vary based on configuration sections)

## **BASE DATA**

---

Bulletin Number	1492 Finger Safe Terminal Block
Electrical Standards	UL
Type of Devic	Finger-Safe Terminal Block
Base Block Type	Single Circuit Fuse Block

## **DETAIL DATA**

---

Features	Neon Blown Fuse Indicator
Wire Range	#30 - #12 AWG
Color	Black (Standard)
Bulk Pack	No Bulk Pack (Single Block)

## **CERTIFICATIONS AND APPROVALS**

---

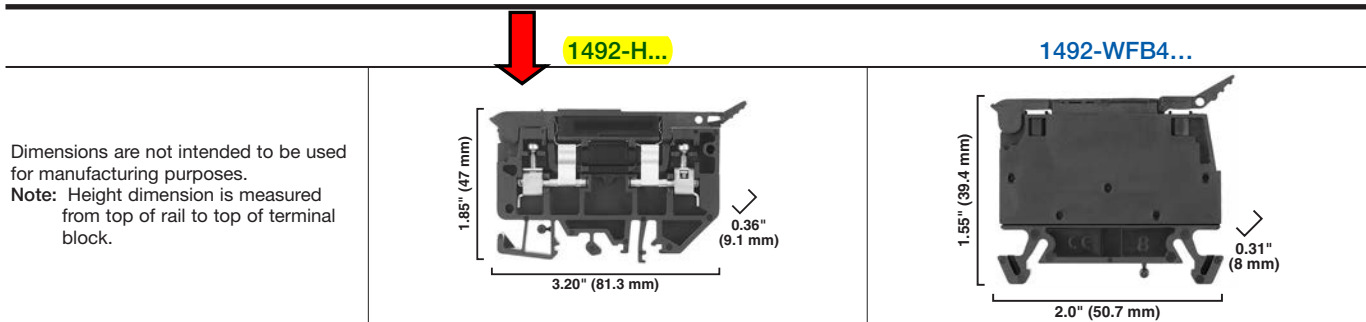
UR  
CSA  
IEC

For UL Certifications Directory:

<http://database.ul.com/cgi-bin/XYV/template/LISEXT/IFRAME/index.htm>

# Screw Connection Terminal Blocks

## Fuse Blocks



Dimensions are not intended to be used for manufacturing purposes.  
 Note: Height dimension is measured from top of rail to top of terminal block.

Specifications	Single-circuit fusible terminal block with or without fuse indication.			Single-circuit fuse block with or without fuse indication.		
Certifications	<b>UL</b>	<b>CSA</b>	<b>IEC</b>	<b>UL</b>	<b>CSA</b>	<b>IEC</b>
	H6/WFB4	300V AC/DC	500V AC/DC	300V AC/DC		500V AC/DC
Voltage Rating	H5/WFB424	10...57V AC/DC		10...57V AC/DC		
	H4/WFB4250	100...300V AC		85...264V AC		
Maximum Current	15 A			15 A	15 A *	
Wire Range (Rated Cross Section)	#30...12 AWG		0.5...4 mm <sup>2</sup>	#30...12 AWG	0.5...4 mm <sup>2</sup>	
Wire Strip Length	0.38 in. (9.7 mm)			0.31 in. (8 mm)		
Recommended Tightening Torque	7.1 lb•in (0.8 N•m)			2.65...5.3 lb•in (0.3...0.6 N•m)		
Density	33 pcs/ft (109pcs /m)			38 pcs/ft (125 pcs/m)		
Housing Temperature Range	-40...+195 °F (-40...+90 °C)			-40...+195 °F (-40...+90 °C)		
<b>Indicator Type</b>						
H6/WFB4	Non-Indicating			Non-Indicating		
H5/WFB424	Red LED			Red LED		
<b>H4/WFB4250</b>	<b>Neon</b>			Neon		
<b>Leakage Current</b>						
H6/WFB4	—			—		
H5/WFB424	2 mA @ 24V			2 mA @ 24V		
H4/WFB4250	2 mA @ 300V			2 mA @ 300V		
Fuse Size (Not Supplied)	1/4 x 1-1/4 in.			5 x 20 mm		
Short-Circuit Current Rating	See page 12-42					

Terminal Blocks	Cat. No.	Pkg Qty.	Cat. No.	Pkg Qty.
Black No-indication	<b>1492-H6</b>	25	<b>1492-WFB4</b>	50
<b>Color:</b> Black w/LED	<b>1492-H5</b>	25	<b>1492-WFB424</b>	50
Black w/Neon	<b>1492-H4</b>	25	<b>1492-WFB4250</b>	50

Accessories	Cat. No.	Pkg Qty.	Cat. No.	Pkg Qty.
Mounting Rails:				
1 m Symmetrical DIN (Steel)	<b>199-DR1</b>	10	<b>199-DR1</b>	10
1 m Symmetrical DIN (Aluminum)	<b>1492-DR5</b>	10	<b>1492-DR5</b>	10
1 m Hi-Rise Sym. DIN (Aluminum)	<b>1492-DR6</b>	2	<b>1492-DR6</b>	2
1 m Angled Hi-Rise Sym. DIN (Steel)	<b>1492-DR7</b>	2	<b>1492-DR7</b>	2
3 ft Scored A-B Rail	<b>1492-N1</b>	20	—	—
3 ft Rigid A-B Rail	<b>1492-N22</b>	20	—	—
3 ft High Rise A-B Rail	<b>1492-N44</b>	2	—	—
Standoff Brackets (Use Every 12 in.)	<b>1492-N25</b>	2	—	—
End Barrier	<b>1492-N37</b>	50	Not Required	—
End Anchors and Retainers:				
Screwless End Retainer	<b>1492-ERL35</b>	20	<b>1492-ERL35</b>	20
DIN Rail — Normal Duty	<b>1492-EAJ35</b>	100	<b>1492-EAJ35</b>	100
DIN Rail — Heavy Duty	<b>1492-EAHJ35</b>	50	<b>1492-EAHJ35</b>	50
A-B Rail — Heavy Duty	<b>1492-N23</b>	10	—	—
10-Pole Side Jumper *	<b>1492-N49</b>	10	<b>1492-SJFB8-10</b>	10
Side Jumper Insulating Sleeve	<b>1492-SJS</b>	10	—	—
Other Accessories:				
Partition Plate	—	—	<b>1492-PPSL3</b>	50
Marking Systems:				
Snap-In Marker Card — For Base Block	—	5	<b>1492-MS8X12 (56/card)</b>	5
	—	5	<b>1492-MS8X9 (56/card)</b>	5
For Handle	<b>1492-MS8X12 (56/card)</b>	5	<b>1492-MS8X9 (56/card)</b>	5
	<b>1492-MS8X9 (56/card)</b>	5		
Adhesive Labels	1492-ALHFB (50/sheet)	1	1492-ALHFB (50/card)	1

\* IEC standards for 5 x 20 mm fuses do not include ratings above 6.3 A.  
 \* Cat. No. 1492-N49 is uninsulated. Cat. No. 1492-SJFB8-10 is insulated.