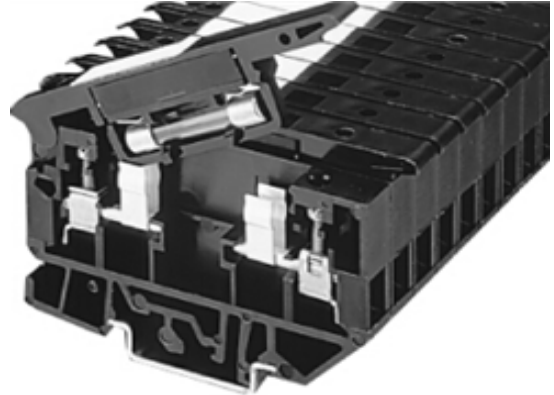


Product Details and Certifications

Cross Reference RA Part Number: 1492-H6 E

 **Product: 1492-H6**

Description: Finger-Safe Single Circuit Fuse Block, No Blown Fuse Indicator, #30 - #12 AWG, Black, Pkg. Qty. of 25



Representative Photo Only (actual product may vary based on configuration sections)

BASE DATA

Bulletin Number	1492 Finger Safe Terminal Block
Electrical Standards	UL
Type of Devic	Finger-Safe Terminal Block
Base Block Type	Single Circuit Fuse Block

DETAIL DATA

Features	No Blown Fuse Indicator
Wire Range	#30 - #12 AWG
Color	Black (Standard)
Bulk Pack	No Bulk Pack (Single Block)

CERTIFICATIONS AND APPROVALS

UR
CSA
IEC

For UL Certifications Directory:

<http://database.ul.com/cgi-bin/XYV/template/LISEXT/IFRAME/index.htm>

Screw Connection Terminal Blocks

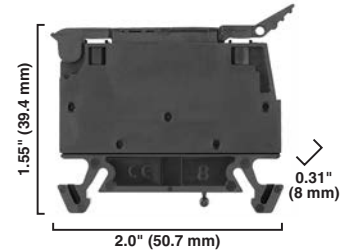
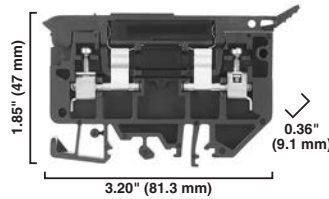
Fuse Blocks



1492-H...

1492-WFB4...

Dimensions are not intended to be used for manufacturing purposes.
 Note: Height dimension is measured from top of rail to top of terminal block.



Specifications

Single-circuit fusible terminal block with or without fuse indication.

Single-circuit fuse block with or without fuse indication.

Certifications	UL		CSA	IEC	UL		CSA	IEC
	300V AC/DC		300V AC/DC	500V AC/DC	300V AC/DC		300V AC/DC	500V AC/DC
Voltage Rating	H6/WFB4		10...57V AC/DC		10...57V AC/DC			
	H5/WFB424		100...300V AC		85...264V AC			
	H4/WFB4250							
Maximum Current	15 A			15 A		15 A *		
Wire Range (Rated Cross Section)	#30...12 AWG		0.5... 4 mm ²		#30...12 AWG		0.5...4 mm ²	
Wire Strip Length	0.38 in. (9.7 mm)			0.31 in. (8 mm)				
Recommended Tightening Torque	7.1 lb•in (0.8 N•m)			2.65...5.3 lb•in (0.3...0.6 N•m)				
Density	33 pcs/ft (109pcs /m)			38 pcs/ft (125 pcs/m)				
Housing Temperature Range	-40...+195 °F (-40...+90 °C)			-40...+195 °F (-40...+90 °C)				
Indicator Type								
H6/WFB4	Non-Indicating			Non-Indicating				
H5/WFB424	Red LED			Red LED				
H4/WFB4250	Neon			Neon				
Leakage Current								
H6/WFB4	—			—				
H5/WFB424	2 mA @ 24V			2 mA @ 24V				
H4/WFB4250	2 mA @ 300V			2 mA @ 300V				
Fuse Size (Not Supplied)	1/4 x 1-1/4 in.			5 x 20 mm				
Short-Circuit Current Rating	See page 12-42							

Terminal Blocks

	Cat. No.	Pkg Qty.	Cat. No.	Pkg Qty.
Color:	Black No-indication	1492-H6	1492-WFB4	50
	Black w/LED	1492-H5	1492-WFB424	50
	Black w/Neon	1492-H4	1492-WFB4250	50

Accessories

	Cat. No.	Pkg Qty.	Cat. No.	Pkg Qty.
Mounting Rails:				
1 m Symmetrical DIN (Steel)	199-DR1	10	199-DR1	10
1 m Symmetrical DIN (Aluminum)	1492-DR5	10	1492-DR5	10
1 m Hi-Rise Sym. DIN (Aluminum)	1492-DR6	2	1492-DR6	2
1 m Angled Hi-Rise Sym. DIN (Steel)	1492-DR7	2	1492-DR7	2
3 ft Scored A-B Rail	1492-N1	20	—	—
3 ft Rigid A-B Rail	1492-N22	20	—	—
3 ft High Rise A-B Rail	1492-N44	2	—	—
Standoff Brackets (Use Every 12 in.)	1492-N25	2	—	—
End Barrier	1492-N37	50	Not Required	—
End Anchors and Retainers:				
Screwless End Retainer	1492-ERL35	20	1492-ERL35	20
DIN Rail — Normal Duty	1492-EAJ35	100	1492-EAJ35	100
DIN Rail — Heavy Duty	1492-EAHJ35	50	1492-EAHJ35	50
A-B Rail — Heavy Duty	1492-N23	10	—	—
10-Pole Side Jumper *	1492-N49	10	1492-SJFB8-10	10
Side Jumper Insulating Sleeve	1492-SJS	10	—	—
Other Accessories:				
Partition Plate	—	—	1492-PPSL3	50
Marking Systems:				
Snap-In Marker Card — For Base Block	—	5	1492-MS8X12 (56/card)	5
	—	5	1492-MS8X9 (56/card)	5
For Handle	1492-MS8X12 (56/card)	5	1492-MS8X9 (56/card)	5
	1492-MS8X9 (56/card)	5	—	—
Adhesive Labels	1492-ALHFB (50/sheet)	1	1492-ALHFB (50/card)	1

* IEC standards for 5 x 20 mm fuses do not include ratings above 6.3 A.
 * Cat. No. 1492-N49 is uninsulated. Cat. No. 1492-SJFB8-10 is insulated.