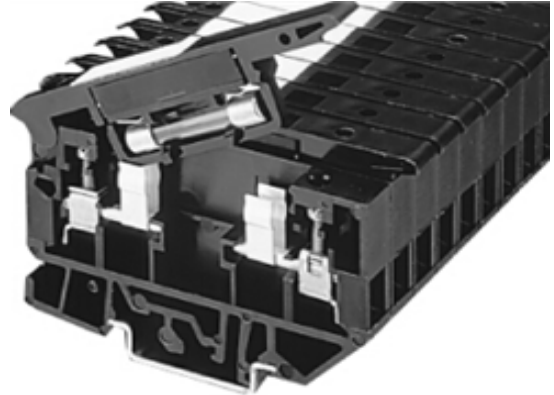


Product Details and Certifications

Cross Reference RA Part Number: 1492-H7 E

 **Product: 1492-H7**

Description: Finger-Safe Single Circuit Isolation Switch Block,
#30 - #12 AWG, Black, Pkg. Qty. of 25



Representative Photo Only (actual product may vary based on configuration sections)

BASE DATA

Bulletin Number	1492 Finger Safe Terminal Block
Electrical Standards	UL
Type of Devic	Finger-Safe Terminal Block
Base Block Type	Single Circuit Isolation Switch Block

DETAIL DATA

Features	None
Wire Range	#30 - #12 AWG
Color	Black (Standard)
Bulk Pack	No Bulk Pack (Single Block)

CERTIFICATIONS AND APPROVALS

UR
CSA
IEC

For UL Certifications Directory:

<http://database.ul.com/cgi-bin/XYV/template/LISEXT/IFRAME/index.htm>

Screw Connection Terminal Blocks

Isolation Blocks

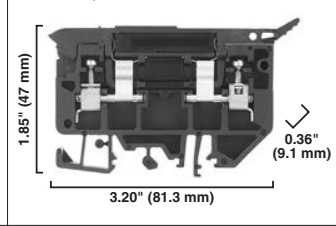
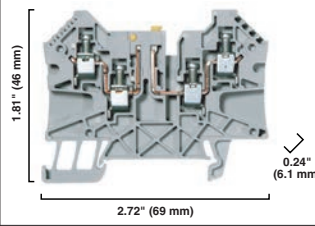
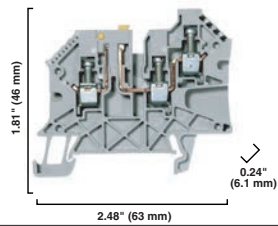


1492-JKD4TW

1492-JKD4Q

1492-H7

Dimensions are not intended to be used for manufacturing purposes.
Note: Height dimension is measured from top of rail to top of terminal block.



Specifications

	<i>Feed-through terminal block with knife disconnect; 3 connection points, 2 on one side</i>			<i>Feed-through terminal block with knife disconnect; 2 connection points on each side</i>			<i>Handle-style isolating terminal block</i>		
Certifications	UL	CSA	IEC	UL	CSA	IEC	UL	CSA	IEC
Voltage Rating	600V AC/DC		500V AC/DC	600V AC/DC		500V AC/DC	300V AC/DC	300V AC/DC	500V AC/DC
Maximum Current	25 A		30 A	25 A		30 A	15 A	15 A	15 A
Wire Range (Rated Cross Section)	#30...10 AWG		0.5...4 mm ²	#30...10 AWG		0.5...4 mm ²	#30...10 AWG		0.5...4.0 mm ²
Fuse Size (Dummy Fuse Supplied)	—			—			1/4 x 1-1/4 in.		
Wire Strip Length	0.39 in. (10 mm)			0.39 in. (10 mm)			0.38 in. (9.7 mm)		
Recommended Tightening Torque	6.2 lb•in (0.7 N•m)			6.2 lb•in (0.7 N•m)			7.1 lb•in (0.8 N•m)		
Density	49 pcs/ft (163 pcs/m)			49 pcs/ft (163 pcs/m)			33 pcs/ft (109 pcs/m)		
Housing Temperature Range	-58...+248 °F (-50...+120 °C)			-58...+248 °F (-50...+120 °C)			-40...+221 °F (-40...+105 °C)		
Short-Circuit Current Rating	See page 12-42								

Terminal Blocks

		Cat. No.	Pkg Qty.	Cat. No.	Pkg Qty.	Cat. No.	Pkg Qty.
Color:	Grey	1492-JKD4TW	50	1492-JKD4Q	50	—	—
With Test Points	Grey	1492-JKD4TWTP	50	1492-JKD4QTP	50	—	—
	Black	—	—	—	—	1492-H7	25

Accessories

		Cat. No.	Pkg Qty.	Cat. No.	Pkg Qty.	Cat. No.	Pkg Qty.
Mounting Rails:							
3 ft Scored A-B Rail		—	—	—	—	1492-N1	20
3 ft Rigid A-B Rail		—	—	—	—	1492-N22	20
3 ft Rigid Rise A-B Rail		—	—	—	—	1492-N44	2
Standoff Brackets (use every 12 in.) *		—	—	—	—	1492-N25	2
1 m Symmetrical DIN (Steel)		199-DR1	10	199-DR1	10	199-DR1	10
1 m Symmetrical DIN (Aluminum)		1492-DR5	10	1492-DR5	10	1492-DR5	10
1 m Hi-Rise Sym. DIN (Aluminum)		1492-DR6	2	1492-DR6	2	1492-DR6	2
1 m Angled Hi-Rise Sym. DIN (Steel)		1492-DR7	2	1492-DR7	2	1492-DR7	2
End Barrier	Grey	1492-EBJ4TW	50	1492-EBJ4Q	50	1492-N37	50
	Yellow	1492-EBJ4TW-Y	50	1492-EBJ4Q-Y	50	—	—
End Anchors and Retainers:							
A-B Rail — Heavy Duty		—	—	—	—	1492-N23	10
A-B Rail — Normal Duty		—	—	—	—	1492-N47	50
Screwless End Retainer		1492-ERL35	20	1492-ERL35	20	1492-ERL35	20
DIN Rail - Normal Duty		1492-EAJ35	100	1492-EAJ35	100	1492-EAJ35	100
DIN Rail - Heavy Duty		1492-EAHJ35	50	1492-EAHJ35	50	1492-EAHJ35	50
Jumpers:							
Plug-in Center Jumper — 41-pole		1492-CJLJ6-41	10	1492-CJLJ6-41	10	—	—
Plug-in Center Jumper — 10-pole		1492-CJLJ6-10	20	1492-CJLJ6-10	20	—	—
Plug-in Center Jumper — 4-pole		1492-CJLJ6-4	60	1492-CJLJ6-4	60	—	—
Plug-in Center Jumper — 3-pole		1492-CJLJ6-3	60	1492-CJLJ6-3	60	—	—
Plug-in Center Jumper — 2-pole		1492-CJLJ6-2	60	1492-CJLJ6-2	60	—	—
Uninsulated Side Jumper — 10-Pole		—	—	—	—	1492-N49	10
Side Jumper — Insulating Sleeve		—	—	—	—	1492-SJS	10
Other Accessories:							
Partition Plate		—	—	—	—	—	—
Marking Systems:							
Snap-in marker cards		1492-MR6X12 (120/card)	5	1492-MR6X12 (120/card)	5	1492-MS8X12 (56/card)	5
Snap-in marker cards		1492-M6X12 (120/card)	5	1492-M6X12 (120/card)	5	1492-MS8X9 (56/card)	5
Adhesive Labels		—	—	—	—	1492-ALHFB (50/sheet)	1

* For use with 1492-N22 DIN rail only.