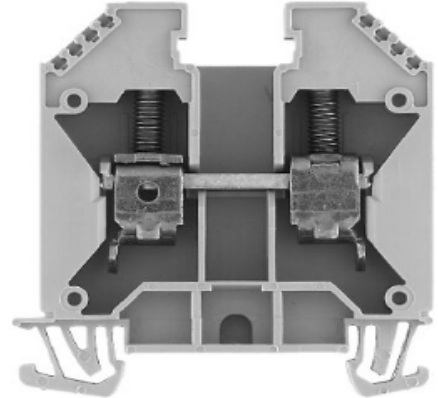


# Product Details and Certifications

Cross Reference RA Part Number: 1492-J16-G A

➔ **Product: 1492-J16-G**

Description: 1492-J IEC Terminal Block, One-Circuit Feed-Through Block, 16 mm  
(# 14 AWG - # 4 AWG), Standard Feedthrough, Green



Representative Photo Only (actual product may vary based on configuration sections)

## ACCESSORY SELECTION

---

Bulletin Number	1492 Terminal Block Accessories
Accessory Selection	Individual Accessory Selection

## CERTIFICATIONS AND APPROVALS

---

UR	UL 486E, UL 1059; Reference File: E40735, E187022
CSA	CSA C22.2 No. 65, No. 158; On Website, Name: Rockwell, Keyword Search: 1492
IEC	EN 60947-1, EN 60947-7-1(Feed-Through), -2(Ground), -3(Fuse)
ATEX	<a href="http://www.rockwellautomation.com/products/certification/ex/excert.html">http://www.rockwellautomation.com/products/certification/ex/excert.html</a>
Short Circuit Current Rating	This terminal block carries a minimum of 10kA SCCR rating for all protection methods. Please see the table for other possible elevated ratings.
For CSA Certifications:	<a href="http://directories.csa-international.org/directorymain.asp">http://directories.csa-international.org/directorymain.asp</a>
For UL Certifications Directory:	<a href="http://database.ul.com/cgi-bin/XYV/template/LISEXT/1FRAME/index.htm">http://database.ul.com/cgi-bin/XYV/template/LISEXT/1FRAME/index.htm</a>

# Screw Connection Terminal Blocks

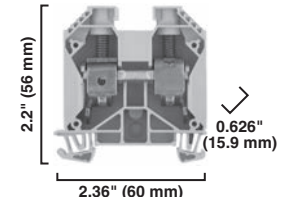
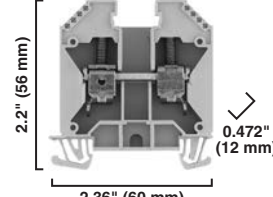
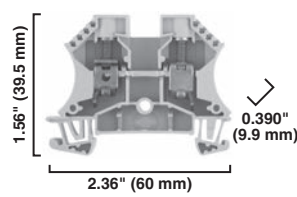
## Standard Feed-Through Blocks

1492-J10

1492-J16

1492-J35

Dimensions are not intended to be used for manufacturing purposes.  
**Note:** Height dimension is measured from top of rail to top of terminal block.



Specifications	Feed-through terminal block				Feed-through terminal block				Feed-through terminal block			
Certifications												
Voltage Rating	600V AC/DC		1000V AC/DC	550V AC/DC	600V AC/DC		1000V AC/DC	690V AC/DC	1000V AC/DC	600V AC/DC	1000V AC/DC	690V AC/DC
Maximum Current	65 A	50 A	57 A	50 A	85 A	76 A	66 A	150 A	120 A	125 A	109 A	
Wire Range (Rated Cross Section)	#18...6 AWG		10 mm <sup>2</sup>	10 mm <sup>2</sup> (#16...8 AWG)	#18...4 AWG		16 mm <sup>2</sup>	16 mm <sup>2</sup> (#16...6 AWG)	#12...1/0 AWG	#12...2 AWG	35 mm <sup>2</sup>	35 mm <sup>2</sup> (#14...2 AWG)
Wire Strip Length	0.47 in. (12 mm)				0.63 in. (16 mm)				0.70 in. (18 mm)			
Recommended Tightening Torque	20.4 lb•in (2.3 N•m)				35.0 lb•in (4.0 N•m)				51.0 lb•in (5.8 N•m)			
Density	30 pcs/ft (100 pcs/m)				25 pcs/ft (83 pcs/m)				19 pcs/ft (62 pcs/m)			
Housing Temperature Range	-58...+248 °F (-50...+120 °C)				-58...+248 °F (-50...+120 °C)				-58...+248 °F (-50...+120 °C)			
Short-Circuit Current Rating	See page 12-42											

Terminal Blocks	Cat. No.	Pkg Qty.	Cat. No.	Pkg Qty.	Cat. No.	Pkg Qty.
<b>Color:</b>						
Grey	1492-J10	50	1492-J16	50	1492-J35	40
Red	1492-J10-RE	50	1492-J16-RE	50	—	—
Blue	1492-J10-B	50	1492-J16-B	50	1492-J35-B	40
Black	1492-J10-BL	50	1492-J16-BL	50	—	—
Green	1492-J10-G	50	1492-J16-G	50	—	—
Yellow	1492-J10-Y	50	1492-J16-Y	50	1492-J35-Y	40
Orange	1492-J10-OR	50	1492-J16-OR	50	—	—
Brown	1492-J10-BR	50	1492-J16-BR	50	—	—
White	1492-J10-W	50	1492-J16-W	50	—	—
<b>Accessories</b>	<b>Cat. No.</b>	<b>Pkg Qty.</b>	<b>Cat. No.</b>	<b>Pkg Qty.</b>	<b>Cat. No.</b>	<b>Pkg Qty.</b>
Mounting Rails:						
1 m Symmetrical DIN (Steel)	199-DR1	10	199-DR1	10	199-DR1	10
1 m Symmetrical Heavy Duty DIN (Steel, unslotted)	199-DR4	5	199-DR4	5	199-DR4	5
1 m Symmetrical DIN (Aluminum)	1492-DR5	10	1492-DR5	10	1492-DR5	10
1 m Hi-Rise Sym. DIN (Aluminum)	1492-DR6	2	1492-DR6	2	1492-DR6	2
1 m Angled Hi-Rise Sym. DIN (Steel)	1492-DR7	2	1492-DR7	2	1492-DR7	2
1 m Symmetrical Heavy Duty DIN (Copper, unslotted)	1492-DR8	5	1492-DR8	5	1492-DR8	5
1 m Symmetrical Heavy Duty DIN (Steel)	1492-DR9	5	1492-DR9	5	1492-DR9	5
End Barriers						
Grey	1492-EBJ3	50	1492-EBJ16	20	1492-EBJ16	20
Blue	1492-EBJ3-B	50	1492-EBJ16-B	20	1492-EBJ16-B	20
Yellow	1492-EBJ3-Y	50	1492-EBJ16-Y	20	1492-EBJ16-Y	20
End Anchors and Retainers:						
DIN Rail — Normal Duty	1492-EAJ35	100	—	—	—	—
DIN Rail — Heavy Duty	1492-EAHJ35	50	1492-EAHJ35	50	1492-EAHJ35	50
Screwless End Retainer	1492-ERL35	20	—	—	—	—
Jumpers:						
Screw Center Jumper — 10-pole	1492-CJJ10-10	20	1492-CJJ12-10	10	1492-CJJ16-10	10
Screw Center Jumper — 4-pole	1492-CJJ10-4	50	1492-CJJ12-4	20	1492-CJJ16-4	20
Screw Center Jumper — 3-pole	1492-CJJ10-3	50	1492-CJJ12-3	20	1492-CJJ16-3	20
Screw Center Jumper — 2-pole	1492-CJJ10-2	50	1492-CJJ12-2	20	1492-CJJ16-2	20
Screw Type Jumper Notching Tool	1492-T1	1	1492-T1	1	1492-T1	1
Other Accessories:						
Partition Plate	1492-EBJ16	20	1492-PPJD3	20	1492-PPJD3	20
Test Plug Socket	1492-TPS23L	50	1492-TPS4L	50	1492-TPS4L	50
Test Plug	1492-TP23	20	1492-TP40	20	1492-TP40	20
Electrical Warning Plate	1492-EWPJ8	50	1492-EWPJ12	50	1492-EWPJ12	50
Marking Systems:						
Snap-in marker cards	1492-M7X12 (108/card)	5	1492-M7X12 (108/card)	5	1492-M7X12 (108/card)	5
Snap-in marker cards	1492-M5X5 (200/card)	5	1492-M5X5 (200 card)	5	1492-M5X5 (200/card)	5