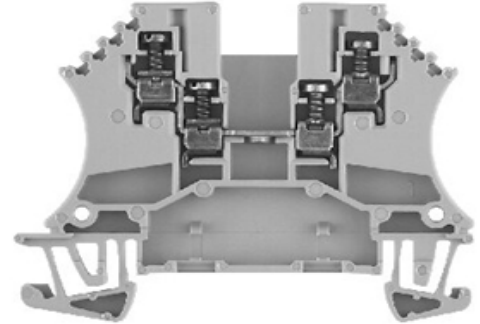


# Product Details and Certifications

## Cross Reference RA Part Number: 1492-J2Q-B A

### Product: **1492-J2Q-B**

Description: 1492-J IEC Terminal Block, One-Circuit Feed-Through Block, 1.5 mm (# 26 AWG - # 12 AWG), Special Feedthrough, 2 Connection points on each side, Blue



Representative Photo Only (actual product may vary based on configuration sections)

### **ACCESSORY SELECTION**

---

Bulletin Number	1492 Terminal Block Accessories
Accessory Selection	Individual Accessory Selection

### **CERTIFICATIONS AND APPROVALS**

---

UR	UL 486E, UL 1059; Reference File: E40735, E187022
CSA	CSA C22.2 No. 65, No. 158; On Website, Name: Rockwell, Keyword Search: 1492
IEC	EN 60947-1, EN 60947-7-1(Feed-Through), -2(Ground), -3(Fuse)
ATEX	<a href="http://www.rockwellautomation.com/products/certification/ex/excert.html">http://www.rockwellautomation.com/products/certification/ex/excert.html</a>
For CSA Certifications:	<a href="http://directories.csa-international.org/directorymain.asp">http://directories.csa-international.org/directorymain.asp</a>
For UL Certifications Directory:	<a href="http://database.ul.com/cgi-bin/XYV/template/LISEXT/1FRAME/index.htm">http://database.ul.com/cgi-bin/XYV/template/LISEXT/1FRAME/index.htm</a>

# Screw Connection Terminal Blocks

## Specialty Feed-Through Blocks



**1492-J2Q**

**1492-J3TW**

**1492-J4TW**

Dimensions are not intended to be used for manufacturing purposes. Note: Height dimension is measured from top of rail to top of terminal block.										
<b>Specifications</b>		Feed-through terminal block with 2 connection points on each side			Feed-through terminal block with 3 connection points, 2 on one side			Feed-through terminal block with 3 connection points, 2 on one side		
Certifications		<b>CSA</b> <b>IEC</b>			<b>CSA</b> <b>IEC</b> <b>ATEX</b>			<b>CSA</b> <b>IEC</b>		
Voltage Rating		300V AC/DC			300V AC/DC			600V AC/DC		
Maximum Current		25 A 10 A 17.5 A			10 A 15 A 17.5 A 15 A			30 A 32 A		
Maximum Current		Single Side Twin Side			Single Side Twin Side			Single Side Twin Side		
Wire Range (Rated Cross Section)		#22...12 AWG #26...12 AWG 1.5 mm <sup>2</sup>			#22...12 AWG 26...12 AWG 2.5 mm <sup>2</sup> 2.5 mm <sup>2</sup> (#20...14 AWG)			#30...10 AWG 4 mm <sup>2</sup>		
Wire Strip Length		0.28 in. (7 mm)			Single Side: 0.39 in. (10 mm) Twin Side: 0.26 in. (7 mm)			0.39 in. (10 mm)		
Recommended Tightening Torque		4.5 lb•in (0.5 N•m)			Single Side: 7.0 lb•in (0.8 N•m) Twin Side: 4.5 lb•in (0.5 N•m)			6.2 lb•in (0.7 N•m)		
Density		59 pcs/ft (196 pcs/m)			59 pcs/ft (196 pcs/m)			59 pcs/ft (196 pcs/m)		
Housing Temperature Range		-58...+248 °F (-50...+120 °C)			-58...+248 °F (-50...+120 °C)			-58...+248 °F (-50...+120 °C)		
Short-Circuit Current Rating		See page 12-42								

Terminal Blocks	Terminal Blocks	Cat. No.	Pkg Qty.	Cat. No.	Pkg Qty.	Cat. No.	Pkg Qty.
Color:	Grey	1492-J2Q	100	1492-J3TW	100	1492-J4TW	50
	Red	1492-J2Q-RE	100	1492-J3TW-RE	100	—	—
	<b>Blue</b>	<b>1492-J2Q-B</b>	100	1492-J3TW-B	100	—	—
	Black	1492-J2Q-BL	100	1492-J3TW-BL	100	—	—
	Green	1492-J2Q-G	100	1492-J3TW-G	100	—	—
	Yellow	1492-J2Q-Y	100	1492-J3TW-Y	100	—	—
	Orange	1492-J2Q-OR	100	1492-J3TW-OR	100	—	—
	Brown	1492-J2Q-BR	100	1492-J3TW-BR	100	—	—
	White	1492-J2Q-W	100	1492-J3TW-W	100	—	—
Accessories		Cat. No.	Pkg Qty.	Cat. No.	Pkg Qty.	Cat. No.	Pkg Qty.
Mounting Rails:							
1 m Symmetrical DIN (Steel)		199-DR1	10	199-DR1	10	199-DR1	10
1 m Symmetrical DIN (Aluminum)		1492-DR5	10	1492-DR5	10	1492-DR5	10
1 m Hi-Rise Sym. DIN (Aluminum)		1492-DR6	2	1492-DR6	2	1492-DR6	2
1 m Angled Hi-Rise Sym. DIN (Steel)		1492-DR7	2	1492-DR7	2	1492-DR7	2
End Barriers	Grey	1492-EBJ3	50	1492-EBJ3	50	1492-EBJ4TW	50
	Blue	1492-EBJ3-B	50	1492-EBJ3-B	50	—	—
	Yellow	1492-EBJ3-Y	50	1492-EBJ3-Y	50	1492-EBJ4TW-Y	50
End Anchors and Retainers:							
Screwless End Retainer		1492-ERL35	20	1492-ERL35	20	1492-ERL35	20
DIN Rail — Normal Duty		1492-EAJ35	100	1492-EAJ35	100	1492-EAJ35	100
DIN Rail — Heavy Duty		1492-EAH35	10	1492-EAH35	10	1492-EAH35	10
Jumpers:*							
Screw Center Jumper — 10-pole		1492-CJJ5-10	20	1492-CJJ5-10	20	—	—
Screw Center Jumper — 4-pole		1492-CJJ5-4	50	1492-CJJ5-4	50	—	—
Screw Center Jumper — 3-pole		1492-CJJ5-3	50	1492-CJJ5-3	50	—	—
Screw Center Jumper — 2-pole		1492-CJJ5-2	50	1492-CJJ5-2	50	—	—
Plug-in Center Jumper — 50-Pole (1492-J3TW)/ 41-Pole (1492-J4TW)		—	—	1492-CJLJ5-50	10	1492-CJLJ6-41	10
Plug-in Center Jumper — 5-, 6-, 7-, 8-, 9-, 10-Pole		—	—	1492-CJLJ5-5, -6, -7, -8, -9, -10	20	1492-CJLJ6-10	20
Plug-in Center Jumper — 2-, 3-, 4-Pole		—	—	1492-CJLJ5-2, -3, -4	60	1492-CJLJ6-2, -3, -4	60
Insulated Side Jumper — 24-Pole		1492-SJ5B-24	50	1492-SJ5B-24	50	—	—
Insulated Side Jumper — 10-Pole		1492-SJ5B-10	50	1492-SJ5B-10	50	—	—
Screw Type Jumper Notching Tool		1492-T1	1	1492-T1	1	—	—
Other Accessories:							
Partition Plate		1492-EBJ16	20	1492-EBJ16	20	—	—
Test Plug Socket		1492-TPS23L	50	1492-TPS23L	50	1492-TPS23L	50
Test Plug		1492-TP23	20	1492-TP23	20	1492-TP23	20
Test Plug (Stackable)		1492-TPJ5	25	1492-TPJ5	25	—	—
Marking Systems:							
Snap-in marker card		1492-M5X12 (144/card)	5	1492-M5X12 (144/card)	5	1492-MR6X12 (120/card)	5
		1492-M6X12 (200/card)	5	1492-M6X12 (200/card)	5	1492-M6X12 (120/card)	5

\* Use of center jumpers may affect spacings, requiring derating of terminal blocks.

