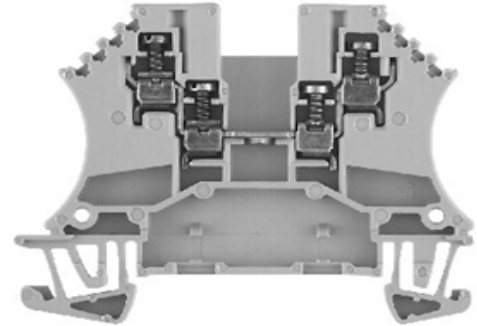


Product Details and Certifications

Cross Reference RA Part Number: 1492-J2Q-W A

Product: **1492-J2Q-W**

Description: 1492-J IEC Terminal Block, One-Circuit Feed-Through Block, 1.5 mm (# 26 AWG - # 12 AWG), Special Feedthrough, 2 Connection points on each side, White



Representative Photo Only (actual product may vary based on configuration sections)

ACCESSORY SELECTION

Bulletin Number	1492 Terminal Block Accessories
Accessory Selection	Individual Accessory Selection

CERTIFICATIONS AND APPROVALS

UR	UL 486E, UL 1059; Reference File: E40735, E187022
CSA	CSA C22.2 No. 65, No. 158; On Website, Name: Rockwell, Keyword Search: 1492
IEC	EN 60947-1, EN 60947-7-1(Feed-Through), -2(Ground), -3(Fuse)
ATEX	http://www.rockwellautomation.com/products/certification/ex/excert.html
For CSA Certifications:	http://directories.csa-international.org/directorymain.asp
For UL Certifications Directory:	http://database.ul.com/cgi-bin/XYV/template/LISEXT/1FRAME/index.htm

Screw Connection Terminal Blocks

Specialty Feed-Through Blocks



1492-J2Q

1492-J3TW

1492-J4TW

Dimensions are not intended to be used for manufacturing purposes. Note: Height dimension is measured from top of rail to top of terminal block.										
Specifications		Feed-through terminal block with 2 connection points on each side			Feed-through terminal block with 3 connection points, 2 on one side			Feed-through terminal block with 3 connection points, 2 on one side		
Certifications		CSA IEC			CSA IEC ATEX			CSA IEC		
Voltage Rating		300V AC/DC			300V AC/DC			600V AC/DC		
Maximum Current		25 A 10 A 17.5 A			10 A 15 A 17.5 A 15 A			30 A 32 A		
Maximum Current		Single Side Twin Side			Single Side Twin Side			Single Side Twin Side		
Wire Range (Rated Cross Section)		#22...12 AWG #26...12 AWG 1.5 mm ²			#22...12 AWG 26...12 AWG 2.5 mm ² 2.5 mm ² (#20...14 AWG)			#30...10 AWG 4 mm ²		
Wire Strip Length		0.28 in. (7 mm)			Single Side: 0.39 in. (10 mm) Twin Side: 0.26 in. (7 mm)			0.39 in. (10 mm)		
Recommended Tightening Torque		4.5 lb•in (0.5 N•m)			Single Side: 7.0 lb•in (0.8 N•m) Twin Side: 4.5 lb•in (0.5 N•m)			6.2 lb•in (0.7 N•m)		
Density		59 pcs/ft (196 pcs/m)			59 pcs/ft (196 pcs/m)			59 pcs/ft (196 pcs/m)		
Housing Temperature Range		-58...+248 °F (-50...+120 °C)			-58...+248 °F (-50...+120 °C)			-58...+248 °F (-50...+120 °C)		
Short-Circuit Current Rating		See page 12-42								

Terminal Blocks	Terminal Blocks	Cat. No.	Pkg Qty.	Cat. No.	Pkg Qty.	Cat. No.	Pkg Qty.
Color:	Grey	1492-J2Q	100	1492-J3TW	100	1492-J4TW	50
	Red	1492-J2Q-RE	100	1492-J3TW-RE	100	—	—
	Blue	1492-J2Q-B	100	1492-J3TW-B	100	—	—
	Black	1492-J2Q-BL	100	1492-J3TW-BL	100	—	—
	Green	1492-J2Q-G	100	1492-J3TW-G	100	—	—
	Yellow	1492-J2Q-Y	100	1492-J3TW-Y	100	—	—
	Orange	1492-J2Q-OR	100	1492-J3TW-OR	100	—	—
	Brown	1492-J2Q-BR	100	1492-J3TW-BR	100	—	—
	White	1492-J2Q-W	100	1492-J3TW-W	100	—	—
Accessories		Cat. No.	Pkg Qty.	Cat. No.	Pkg Qty.	Cat. No.	Pkg Qty.
Mounting Rails:							
1 m Symmetrical DIN (Steel)		199-DR1	10	199-DR1	10	199-DR1	10
1 m Symmetrical DIN (Aluminum)		1492-DR5	10	1492-DR5	10	1492-DR5	10
1 m Hi-Rise Sym. DIN (Aluminum)		1492-DR6	2	1492-DR6	2	1492-DR6	2
1 m Angled Hi-Rise Sym. DIN (Steel)		1492-DR7	2	1492-DR7	2	1492-DR7	2
End Barriers	Grey	1492-EBJ3	50	1492-EBJ3	50	1492-EBJ4TW	50
	Blue	1492-EBJ3-B	50	1492-EBJ3-B	50	—	—
	Yellow	1492-EBJ3-Y	50	1492-EBJ3-Y	50	1492-EBJ4TW-Y	50
End Anchors and Retainers:							
Screwless End Retainer		1492-ERL35	20	1492-ERL35	20	1492-ERL35	20
DIN Rail — Normal Duty		1492-EAJ35	100	1492-EAJ35	100	1492-EAJ35	100
DIN Rail — Heavy Duty		1492-EAH35	10	1492-EAH35	10	1492-EAH35	10
Jumpers:*							
Screw Center Jumper — 10-pole		1492-CJJ5-10	20	1492-CJJ5-10	20	—	—
Screw Center Jumper — 4-pole		1492-CJJ5-4	50	1492-CJJ5-4	50	—	—
Screw Center Jumper — 3-pole		1492-CJJ5-3	50	1492-CJJ5-3	50	—	—
Screw Center Jumper — 2-pole		1492-CJJ5-2	50	1492-CJJ5-2	50	—	—
Plug-in Center Jumper — 50-Pole (1492-J3TW)/ 41-Pole (1492-J4TW)		—	—	1492-CJLJ5-50	10	1492-CJLJ6-41	10
Plug-in Center Jumper — 5-, 6-, 7-, 8-, 9-, 10-Pole		—	—	1492-CJLJ5-5, -6, -7, -8, -9, -10	20	1492-CJLJ6-10	20
Plug-in Center Jumper — 2-, 3-, 4-Pole		—	—	1492-CJLJ5-2, -3, -4	60	1492-CJLJ6-2, -3, -4	60
Insulated Side Jumper — 24-Pole		1492-SJ5B-24	50	1492-SJ5B-24	50	—	—
Insulated Side Jumper — 10-Pole		1492-SJ5B-10	50	1492-SJ5B-10	50	—	—
Screw Type Jumper Notching Tool		1492-T1	1	1492-T1	1	—	—
Other Accessories:							
Partition Plate		1492-EBJ16	20	1492-EBJ16	20	—	—
Test Plug Socket		1492-TPS23L	50	1492-TPS23L	50	1492-TPS23L	50
Test Plug		1492-TP23	20	1492-TP23	20	1492-TP23	20
Test Plug (Stackable)		1492-TPJ5	25	1492-TPJ5	25	—	—
Marking Systems:							
Snap-in marker card		1492-M5X12 (144/card)	5	1492-M5X12 (144/card)	5	1492-MR6X12 (120/card)	5
		1492-M6X12 (200/card)	5	1492-M6X12 (200/card)	5	1492-M6X12 (120/card)	5

* Use of center jumpers may affect spacings, requiring derating of terminal blocks.

