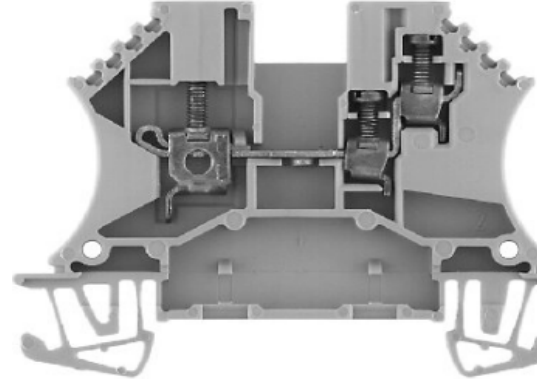


Product Details and Certifications

Cross Reference RA Part Number: 1492-J3TW-B A

 **Product: 1492-J3TW-B**

Description: 1492-J IEC Terminal Block, One-Circuit Feed-Through Block, 2.5 mm (# 24 AWG - # 12 AWG), 3 Connection points, 2 on one side, Blue



Representative Photo Only (actual product may vary based on configuration sections)

ACCESSORY SELECTION

| | |
|---------------------|---------------------------------|
| Bulletin Number | 1492 Terminal Block Accessories |
| Accessory Selection | Individual Accessory Selection |

CERTIFICATIONS AND APPROVALS

| | |
|----------------------------------|---|
| UR | UL 486E, UL 1059; Reference File: E40735, E187022 |
| CSA | CSA C22.2 No. 65, No. 158; On Website, Name: Rockwell, Keyword Search: 1492 |
| IEC | EN 60947-1, EN 60947-7-1(Feed-Through), -2(Ground), -3(Fuse) |
| ATEX | http://www.rockwellautomation.com/products/certification/ex/excert.html |
| Short Circuit Current Rating | This terminal block carries a minimum of 10kA SCCR rating for all protection methods. Please see the table for other possible elevated ratings. |
| For CSA Certifications: | http://directories.csa-international.org/directorymain.asp |
| For UL Certifications Directory: | http://database.ul.com/cgi-bin/XYV/template/LISEXT/1FRAME/index.htm |

Screw Connection Terminal Blocks

Specialty Feed-Through Blocks

| | 1492-J2Q | 1492-J3TW | 1492-J4TW | | | | |
|---|---|-----------------------------------|---|-----------------|------------------------|-----------------|----|
| Dimensions are not intended to be used for manufacturing purposes. Note: Height dimension is measured from top of rail to top of terminal block. | | | | | | | |
| Specifications | Feed-through terminal block with 2 connection points on each side | | Feed-through terminal block with 3 connection points, 2 on one side | | | | |
| Certifications | CSA IEC | CSA IEC ATEX | CSA IEC | | | | |
| Voltage Rating | 300V AC/DC | 300V AC/DC | 600V AC/DC | | | | |
| Maximum Current | 25 A | 17.5 A | 30 A | | | | |
| Maximum Current | 10 A | 15 A | 15 A | | | | |
| Current | — | 20 A | 24 A | | | | |
| Wire Range (Rated Cross Section) | #22...12 AWG | #22...12 AWG | #20...14 AWG | | | | |
| Wire Strip Length | 0.28 in. (7 mm) | 0.39 in. (10 mm) | 0.39 in. (10 mm) | | | | |
| Recommended Tightening Torque | 4.5 lb•in (0.5 N•m) | 7.0 lb•in (0.8 N•m) | 6.2 lb•in (0.7 N•m) | | | | |
| Density | 59 pcs/ft (196 pcs/m) | 59 pcs/ft (196 pcs/m) | 59 pcs/ft (196 pcs/m) | | | | |
| Housing Temperature Range | -58...+248 °F (-50...+120 °C) | -58...+248 °F (-50...+120 °C) | -58...+248 °F (-50...+120 °C) | | | | |
| Short-Circuit Current Rating | See page 12-42 | | | | | | |
| Terminal Blocks | Cat. No. | Pkg Qty. | Cat. No. | Pkg Qty. | Cat. No. | Pkg Qty. | |
| Color: | Grey | 1492-J2Q | 100 | 1492-J3TW | 100 | 1492-J4TW | 50 |
| | Red | 1492-J2Q-RE | 100 | 1492-J3TW-RE | 100 | — | — |
| | Blue | 1492-J2Q-B | 100 | 1492-J3TW-B | 100 | — | — |
| | Black | 1492-J2Q-BL | 100 | 1492-J3TW-BL | 100 | — | — |
| | Green | 1492-J2Q-G | 100 | 1492-J3TW-G | 100 | — | — |
| | Yellow | 1492-J2Q-Y | 100 | 1492-J3TW-Y | 100 | — | — |
| | Orange | 1492-J2Q-OR | 100 | 1492-J3TW-OR | 100 | — | — |
| | Brown | 1492-J2Q-BR | 100 | 1492-J3TW-BR | 100 | — | — |
| | White | 1492-J2Q-W | 100 | 1492-J3TW-W | 100 | — | — |
| Accessories | Cat. No. | Pkg Qty. | Cat. No. | Pkg Qty. | Cat. No. | Pkg Qty. | |
| Mounting Rails: | 199-DR1 | 10 | 199-DR1 | 10 | 199-DR1 | 10 | |
| 1 m Symmetrical DIN (Steel) | 1492-DR5 | 10 | 1492-DR5 | 10 | 1492-DR5 | 10 | |
| 1 m Symmetrical DIN (Aluminum) | 1492-DR6 | 2 | 1492-DR6 | 2 | 1492-DR6 | 2 | |
| 1 m Hi-Rise Sym. DIN (Aluminum) | 1492-DR7 | 2 | 1492-DR7 | 2 | 1492-DR7 | 2 | |
| 1 m Angled Hi-Rise Sym. DIN (Steel) | 1492-EBJ3 | 50 | 1492-EBJ3 | 50 | 1492-EBJ4TW | 50 | |
| End Barriers | 1492-EBJ3-B | 50 | 1492-EBJ3-B | 50 | — | — | |
| Grey | 1492-EBJ3-Y | 50 | 1492-EBJ3-Y | 50 | 1492-EBJ4TW-Y | 50 | |
| Blue | 1492-ERL35 | 20 | 1492-ERL35 | 20 | 1492-ERL35 | 20 | |
| End Anchors and Retainers: | 1492-EAJ35 | 100 | 1492-EAJ35 | 100 | 1492-EAJ35 | 100 | |
| Screwless End Retainer | 1492-EAH35 | 10 | 1492-EAH35 | 10 | 1492-EAH35 | 10 | |
| DIN Rail — Normal Duty | 1492-CJJ5-10 | 20 | 1492-CJJ5-10 | 20 | — | — | |
| DIN Rail — Heavy Duty | 1492-CJJ5-4 | 50 | 1492-CJJ5-4 | 50 | — | — | |
| Jumpers: * | 1492-CJJ5-3 | 50 | 1492-CJJ5-3 | 50 | — | — | |
| Screw Center Jumper — 10-pole | 1492-CJJ5-2 | 50 | 1492-CJJ5-2 | 50 | — | — | |
| Screw Center Jumper — 4-pole | — | — | 1492-CJLJ5-50 | 10 | 1492-CJLJ6-41 | 10 | |
| Screw Center Jumper — 3-pole | — | — | 1492-CJLJ5-5, -6, -7, -8, -9, -10 | 20 | 1492-CJLJ6-10 | 20 | |
| Screw Center Jumper — 2-pole | — | — | 1492-CJLJ5-2, -3, -4 | 60 | 1492-CJLJ6-2, -3, -4 | 60 | |
| Plug-in Center Jumper — 50-Pole (1492-J3TW)/ 41-Pole (1492-J4TW) | 1492-SJ5B-24 | 50 | 1492-SJ5B-24 | 50 | — | — | |
| Plug-in Center Jumper — 5-, 6-, 7-, 8-, 9-, 10-Pole | 1492-SJ5B-10 | 50 | 1492-SJ5B-10 | 50 | — | — | |
| Plug-in Center Jumper — 2-, 3-, 4-Pole | 1492-T1 | 1 | 1492-T1 | 1 | — | — | |
| Insulated Side Jumper — 24-Pole | 1492-T1 | 1 | 1492-T1 | 1 | — | — | |
| Insulated Side Jumper — 10-Pole | 1492-EBJ16 | 20 | 1492-EBJ16 | 20 | — | — | |
| Screw Type Jumper Notching Tool | 1492-TPS23L | 50 | 1492-TPS23L | 50 | 1492-TPS23L | 50 | |
| Other Accessories: | 1492-TP23 | 20 | 1492-TP23 | 20 | 1492-TP23 | 20 | |
| Partition Plate | 1492-TPJ5 | 25 | 1492-TPJ5 | 25 | — | — | |
| Test Plug Socket | 1492-M5X12 (144/card) | 5 | 1492-M5X12 (144/card) | 5 | 1492-MR6X12 (120/card) | 5 | |
| Test Plug | 1492-M6X12 (200/card) | 5 | 1492-M6X12 (200/card) | 5 | 1492-M6X12 (120/card) | 5 | |
| Test Plug (Stackable) | | | | | | | |
| Marking Systems: | | | | | | | |
| Snap-in marker card | | | | | | | |

* Use of center jumpers may affect spacings, requiring derating of terminal blocks.

