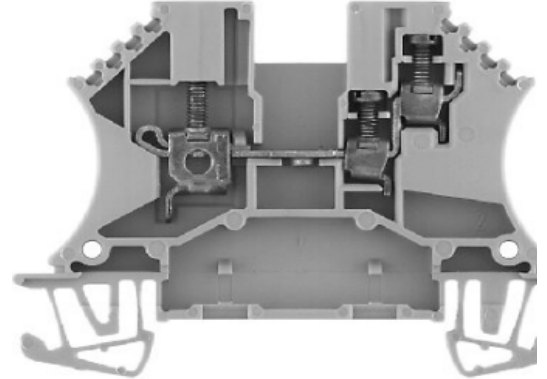


Product Details and Certifications

Cross Reference RA Part Number: 1492-J3TW-BL A

 Product: **1492-J3TW-BL**

Description: 1492-J IEC Terminal Block, One-Circuit Feed-Through Block, 2.5 mm
(# 24 AWG - # 12 AWG), 3 Connection points, 2 on one side, Black



Representative Photo Only (actual product may vary based on configuration sections)

ACCESSORY SELECTION

Bulletin Number	1492 Terminal Block Accessories
Accessory Selection	Individual Accessory Selection

CERTIFICATIONS AND APPROVALS

UR	UL 486E, UL 1059; Reference File: E40735, E187022
CSA	CSA C22.2 No. 65, No. 158; On Website, Name: Rockwell, Keyword Search: 1492
IEC	EN 60947-1, EN 60947-7-1(Feed-Through), -2(Ground), -3(Fuse)
ATEX	http://www.rockwellautomation.com/products/certification/ex/excert.html
Short Circuit Current Rating	This terminal block carries a minimum of 10kA SCCR rating for all protection methods. Please see the table for other possible elevated ratings.
For CSA Certifications:	http://directories.csa-international.org/directorymain.asp
For UL Certifications Directory:	http://database.ul.com/cgi-bin/XYV/template/LISEXT/1FRAME/index.htm

Screw Connection Terminal Blocks

Specialty Feed-Through Blocks

	1492-J2Q			1492-J3TW				1492-J4TW			
Dimensions are not intended to be used for manufacturing purposes. Note: Height dimension is measured from top of rail to top of terminal block.											
Specifications	Feed-through terminal block with 2 connection points on each side			Feed-through terminal block with 3 connection points, 2 on one side				Feed-through terminal block with 3 connection points, 2 on one side			
Certifications		CSA	IEC		CSA	IEC	ATEX		CSA	IEC	
Voltage Rating	300V AC/DC			300V AC/DC		800V AC/DC		600V AC/DC		500V AC/DC	
Maximum Current	25 A	10 A	17.5 A	—			30 A		32 A		
Maximum Current	Single Side			10 A	15 A	17.5 A	15 A	—			
	Twin Side			20 A		24 A	21 A	—			
Wire Range (Rated Cross Section)	Single Side			#22...12 AWG	#26...12 AWG	2.5 mm ²	2.5 mm ² (#20...14 AWG)	#30...10 AWG		4 mm ²	
	Twin Side			—		#22...14 AWG	26...14 AWG				1.5 mm ² (#20...16 AWG)
Wire Strip Length	0.28 in. (7 mm)			Single Side: 0.39 in. (10 mm)			0.39 in. (10 mm)				
				Twin Side: 0.26 in. (7 mm)							
Recommended Tightening Torque	4.5 lb•in (0.5 N•m)			Single Side: 7.0 lb•in (0.8 N•m)			6.2 lb•in (0.7 N•m)				
				Twin Side: 4.5 lb•in (0.5 N•m)							
Density	59 pcs/ft (196 pcs/m)			59 pcs/ft (196 pcs/m)			59 pcs/ft (196 pcs/m)				
Housing Temperature Range	Insulation Temperature Range			-58...+248 °F (-50...+120 °C)			-58...+248 °F (-50...+120 °C)			-58...+248 °F (-50...+120 °C)	
Short-Circuit Current Rating	See page 12-42										
Terminal Blocks	Terminal Blocks	Cat. No.	Pkg Qty.	Cat. No.	Pkg Qty.	Cat. No.	Pkg Qty.	Cat. No.	Pkg Qty.	Cat. No.	Pkg Qty.
Color:	Grey	1492-J2Q	100	1492-J3TW	100	1492-J4TW	50				
	Red	1492-J2Q-RE	100	1492-J3TW-RE	100						
	Blue	1492-J2Q-B	100	1492-J3TW-B	100						
	Black	1492-J2Q-BL	100	1492-J3TW-BL	100						
	Green	1492-J2Q-G	100	1492-J3TW-G	100						
	Yellow	1492-J2Q-Y	100	1492-J3TW-Y	100						
	Orange	1492-J2Q-OR	100	1492-J3TW-OR	100						
	Brown	1492-J2Q-BR	100	1492-J3TW-BR	100						
	White	1492-J2Q-W	100	1492-J3TW-W	100						
Accessories		Cat. No.	Pkg Qty.	Cat. No.	Pkg Qty.	Cat. No.	Pkg Qty.	Cat. No.	Pkg Qty.	Cat. No.	Pkg Qty.
Mounting Rails:											
1 m Symmetrical DIN (Steel)		199-DR1	10	199-DR1	10	199-DR1	10				
1 m Symmetrical DIN (Aluminum)		1492-DR5	10	1492-DR5	10	1492-DR5	10				
1 m Hi-Rise Sym. DIN (Aluminum)		1492-DR6	2	1492-DR6	2	1492-DR6	2				
1 m Angled Hi-Rise Sym. DIN (Steel)		1492-DR7	2	1492-DR7	2	1492-DR7	2				
End Barriers	Grey	1492-EBJ3	50	1492-EBJ3	50	1492-EBJ4TW	50				
	Blue	1492-EBJ3-B	50	1492-EBJ3-B	50						
	Yellow	1492-EBJ3-Y	50	1492-EBJ3-Y	50	1492-EBJ4TW-Y	50				
End Anchors and Retainers:											
Screwless End Retainer		1492-ERL35	20	1492-ERL35	20	1492-ERL35	20				
DIN Rail — Normal Duty		1492-EAJ35	100	1492-EAJ35	100	1492-EAJ35	100				
DIN Rail — Heavy Duty		1492-EAH35	10	1492-EAH35	10	1492-EAH35	10				
Jumpers: *											
Screw Center Jumper — 10-pole		1492-CJJ5-10	20	1492-CJJ5-10	20						
Screw Center Jumper — 4-pole		1492-CJJ5-4	50	1492-CJJ5-4	50						
Screw Center Jumper — 3-pole		1492-CJJ5-3	50	1492-CJJ5-3	50						
Screw Center Jumper — 2-pole		1492-CJJ5-2	50	1492-CJJ5-2	50						
Plug-in Center Jumper — 50-Pole (1492-J3TW)/ 41-Pole (1492-J4TW)		—	—	1492-CJLJ5-50	10	1492-CJLJ6-41	10				
Plug-in Center Jumper — 5-, 6-, 7-, 8-, 9-, 10-Pole		—	—	1492-CJLJ5-5, -6, -7, -8, -9, -10	20	1492-CJLJ6-10	20				
Plug-in Center Jumper — 2-, 3-, 4-Pole		—	—	1492-CJLJ5-2, -3, -4	60	1492-CJLJ6-2, -3, -4	60				
Insulated Side Jumper — 24-Pole		1492-SJ5B-24	50	1492-SJ5B-24	50						
Insulated Side Jumper — 10-Pole		1492-SJ5B-10	50	1492-SJ5B-10	50						
Screw Type Jumper Notching Tool		1492-T1	1	1492-T1	1						
Other Accessories:											
Partition Plate		1492-EBJ16	20	1492-EBJ16	20						
Test Plug Socket		1492-TPS23L	50	1492-TPS23L	50	1492-TPS23L	50				
Test Plug		1492-TP23	20	1492-TP23	20	1492-TP23	20				
Test Plug (Stackable)		1492-TPJ5	25	1492-TPJ5	25						
Marking Systems:											
Snap-in marker card		1492-M5X12 (144/card)	5	1492-M5X12 (144/card)	5	1492-MR6X12 (120/card)	5				
		1492-M6X12 (200/card)	5	1492-M6X12 (200/card)	5	1492-M6X12 (120/card)	5				

* Use of center jumpers may affect spacings, requiring derating of terminal blocks.

