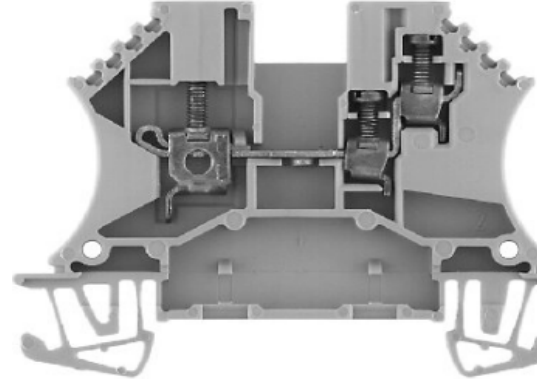


Product Details and Certifications

Cross Reference RA Part Number: 1492-J3TW-G A

 **Product: 1492-J3TW-G**

Description: 1492-J IEC Terminal Block, One-Circuit Feed-Through Block, 2.5 mm
(# 24 AWG - # 12 AWG), 3 Connection points, 2 on one side, Green



Representative Photo Only (actual product may vary based on configuration sections)

ACCESSORY SELECTION

Bulletin Number	1492 Terminal Block Accessories
Accessory Selection	Individual Accessory Selection

CERTIFICATIONS AND APPROVALS

UR	UL 486E, UL 1059; Reference File: E40735, E187022
CSA	CSA C22.2 No. 65, No. 158; On Website, Name: Rockwell, Keyword Search: 1492
IEC	EN 60947-1, EN 60947-7-1(Feed-Through), -2(Ground), -3(Fuse)
ATEX	http://www.rockwellautomation.com/products/certification/ex/excert.html
Short Circuit Current Rating	This terminal block carries a minimum of 10kA SCCR rating for all protection methods. Please see the table for other possible elevated ratings.
For CSA Certifications:	http://directories.csa-international.org/directorymain.asp
For UL Certifications Directory:	http://database.ul.com/cgi-bin/XYV/template/LISEXT/1FRAME/index.htm

Screw Connection Terminal Blocks

Specialty Feed-Through Blocks

	1492-J2Q	1492-J3TW	1492-J4TW
Dimensions are not intended to be used for manufacturing purposes. Note: Height dimension is measured from top of rail to top of terminal block.			
Specifications	Feed-through terminal block with 2 connection points on each side		Feed-through terminal block with 3 connection points, 2 on one side
Certifications	CSA IEC	CSA IEC ATEX	CSA IEC
Voltage Rating	300V AC/DC	300V AC/DC	600V AC/DC
Maximum Current	25 A	17.5 A	30 A
Maximum Current	10 A	15 A	32 A
Wire Range (Rated Cross Section)	#22...12 AWG	#22...12 AWG	#30...10 AWG
Wire Strip Length	0.28 in. (7 mm)	Single Side: 0.39 in. (10 mm) Twin Side: 0.26 in. (7 mm)	0.39 in. (10 mm)
Recommended Tightening Torque	4.5 lb•in (0.5 N•m)	Single Side: 7.0 lb•in (0.8 N•m) Twin Side: 4.5 lb•in (0.5 N•m)	6.2 lb•in (0.7 N•m)
Density	59 pcs/ft (196 pcs/m)	59 pcs/ft (196 pcs/m)	59 pcs/ft (196 pcs/m)
Housing Temperature Range	-58...+248 °F (-50...+120 °C)	-58...+248 °F (-50...+120 °C)	-58...+248 °F (-50...+120 °C)
Short-Circuit Current Rating	See page 12-42		
Terminal Blocks	Cat. No.	Pkg Qty.	Cat. No.
Color:	Grey	100	1492-J4TW
	Red	100	—
	Blue	100	—
	Black	100	—
	Green	100	—
	Yellow	100	—
	Orange	100	—
	Brown	100	—
	White	100	—
Accessories	Cat. No.	Pkg Qty.	Cat. No.
Mounting Rails:	Cat. No.	Pkg Qty.	Cat. No.
1 m Symmetrical DIN (Steel)	199-DR1	10	199-DR1
1 m Symmetrical DIN (Aluminum)	1492-DR5	10	1492-DR5
1 m Hi-Rise Sym. DIN (Aluminum)	1492-DR6	2	1492-DR6
1 m Angled Hi-Rise Sym. DIN (Steel)	1492-DR7	2	1492-DR7
End Barriers	Grey	50	1492-EBJ4TW
	Blue	50	—
	Yellow	50	1492-EBJ4TW-Y
End Anchors and Retainers:	1492-ERL35	20	1492-ERL35
Screwless End Retainer	1492-EAJ35	100	1492-EAJ35
DIN Rail — Normal Duty	1492-EAH35	10	1492-EAH35
DIN Rail — Heavy Duty	—	—	—
Jumpers: *	1492-CJJ5-10	20	—
Screw Center Jumper — 10-pole	1492-CJJ5-4	50	—
Screw Center Jumper — 4-pole	1492-CJJ5-3	50	—
Screw Center Jumper — 3-pole	1492-CJJ5-2	50	—
Screw Center Jumper — 2-pole	—	—	—
Plug-in Center Jumper — 50-Pole (1492-J3TW)/ 41-Pole (1492-J4TW)	1492-CJLJ5-50	10	1492-CJLJ6-41
Plug-in Center Jumper — 5-, 6-, 7-, 8-, 9-, 10-Pole	—	—	—
Plug-in Center Jumper — 2-, 3-, 4-Pole	1492-CJLJ5-2, -3, -4	60	1492-CJLJ6-2, -3, -4
Insulated Side Jumper — 24-Pole	1492-SJ5B-24	50	—
Insulated Side Jumper — 10-Pole	1492-SJ5B-10	50	—
Screw Type Jumper Notching Tool	1492-T1	1	—
Other Accessories:	1492-EBJ16	20	—
Partition Plate	1492-TPS23L	50	1492-TPS23L
Test Plug Socket	1492-TP23	20	1492-TP23
Test Plug	1492-TPJ5	25	—
Test Plug (Stackable)	1492-M5X12 (144/card)	5	1492-MR6X12 (120/card)
Marking Systems:	1492-M6X12 (200/card)	5	1492-M6X12 (120/card)
Snap-in marker card	—	—	—

* Use of center jumpers may affect spacings, requiring derating of terminal blocks.

