

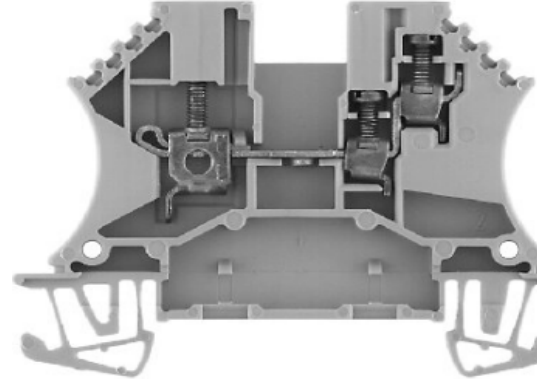
Product Details and Certifications

Cross Reference RA Part Number: 1492-J3TW-W A



Product: **1492-J3TW-W**

Description: 1492-J IEC Terminal Block, One-Circuit Feed-Through Block, 2.5 mm (# 24 AWG - # 12 AWG), 3 Connection points, 2 on one side, White



Representative Photo Only (actual product may vary based on configuration sections)

ACCESSORY SELECTION

Bulletin Number	1492 Terminal Block Accessories
Accessory Selection	Individual Accessory Selection

CERTIFICATIONS AND APPROVALS

UR	UL 486E, UL 1059; Reference File: E40735, E187022
CSA	CSA C22.2 No. 65, No. 158; On Website, Name: Rockwell, Keyword Search: 1492
IEC	EN 60947-1, EN 60947-7-1(Feed-Through), -2(Ground), -3(Fuse)
ATEX	http://www.rockwellautomation.com/products/certification/ex/excert.html
Short Circuit Current Rating	This terminal block carries a minimum of 10kA SCCR rating for all protection methods. Please see the table for other possible elevated ratings.
For CSA Certifications:	http://directories.csa-international.org/directorymain.asp
For UL Certifications Directory:	http://database.ul.com/cgi-bin/XYV/template/LISEXT/1FRAME/index.htm

Screw Connection Terminal Blocks

Specialty Feed-Through Blocks

	1492-J2Q	1492-J3TW	1492-J4TW
Dimensions are not intended to be used for manufacturing purposes. Note: Height dimension is measured from top of rail to top of terminal block.			
Specifications	Feed-through terminal block with 2 connection points on each side		Feed-through terminal block with 3 connection points, 2 on one side
Certifications	CSA IEC	CSA IEC ATEX	CSA IEC
Voltage Rating	300V AC/DC	300V AC/DC	600V AC/DC
Maximum Current	25 A	17.5 A	30 A
Maximum Current	10 A	15 A	32 A
Wire Range (Rated Cross Section)	#22...12 AWG	#22...12 AWG	#30...10 AWG
Wire Strip Length	0.28 in. (7 mm)	0.39 in. (10 mm)	0.39 in. (10 mm)
Recommended Tightening Torque	4.5 lb•in (0.5 N•m)	7.0 lb•in (0.8 N•m)	6.2 lb•in (0.7 N•m)
Density	59 pcs/ft (196 pcs/m)	59 pcs/ft (196 pcs/m)	59 pcs/ft (196 pcs/m)
Housing Temperature Range	-58...+248 °F (-50...+120 °C)	-58...+248 °F (-50...+120 °C)	-58...+248 °F (-50...+120 °C)
Short-Circuit Current Rating	See page 12-42		

Terminal Blocks	Cat. No.	Pkg Qty.	Cat. No.	Pkg Qty.	Cat. No.	Pkg Qty.
Color:	Grey	1492-J2Q	100	1492-J3TW	100	1492-J4TW
	Red	1492-J2Q-RE	100	1492-J3TW-RE	100	—
	Blue	1492-J2Q-B	100	1492-J3TW-B	100	—
	Black	1492-J2Q-BL	100	1492-J3TW-BL	100	—
	Green	1492-J2Q-G	100	1492-J3TW-G	100	—
	Yellow	1492-J2Q-Y	100	1492-J3TW-Y	100	—
	Orange	1492-J2Q-OR	100	1492-J3TW-OR	100	—
	Brown	1492-J2Q-BR	100	1492-J3TW-BR	100	—
	White	1492-J2Q-W	100	1492-J3TW-W	100	—
Accessories	Cat. No.	Pkg Qty.	Cat. No.	Pkg Qty.	Cat. No.	Pkg Qty.
Mounting Rails:						
1 m Symmetrical DIN (Steel)	199-DR1	10	199-DR1	10	199-DR1	10
1 m Symmetrical DIN (Aluminum)	1492-DR5	10	1492-DR5	10	1492-DR5	10
1 m Hi-Rise Sym. DIN (Aluminum)	1492-DR6	2	1492-DR6	2	1492-DR6	2
1 m Angled Hi-Rise Sym. DIN (Steel)	1492-DR7	2	1492-DR7	2	1492-DR7	2
End Barriers						
Grey	1492-EBJ3	50	1492-EBJ3	50	1492-EBJ4TW	50
Blue	1492-EBJ3-B	50	1492-EBJ3-B	50	—	—
Yellow	1492-EBJ3-Y	50	1492-EBJ3-Y	50	1492-EBJ4TW-Y	50
End Anchors and Retainers:						
Screwless End Retainer	1492-ERL35	20	1492-ERL35	20	1492-ERL35	20
DIN Rail — Normal Duty	1492-EAJ35	100	1492-EAJ35	100	1492-EAJ35	100
DIN Rail — Heavy Duty	1492-EAH35	10	1492-EAH35	10	1492-EAH35	10
Jumpers: *						
Screw Center Jumper — 10-pole	1492-CJJ5-10	20	1492-CJJ5-10	20	—	—
Screw Center Jumper — 4-pole	1492-CJJ5-4	50	1492-CJJ5-4	50	—	—
Screw Center Jumper — 3-pole	1492-CJJ5-3	50	1492-CJJ5-3	50	—	—
Screw Center Jumper — 2-pole	1492-CJJ5-2	50	1492-CJJ5-2	50	—	—
Plug-in Center Jumper — 50-Pole (1492-J3TW)/ 41-Pole (1492-J4TW)	—	—	1492-CJLJ5-50	10	1492-CJLJ6-41	10
Plug-in Center Jumper — 5-, 6-, 7-, 8-, 9-, 10-Pole	—	—	1492-CJLJ5-5, -6, -7, -8, -9, -10	20	1492-CJLJ6-10	20
Plug-in Center Jumper — 2-, 3-, 4-Pole	—	—	1492-CJLJ5-2, -3, -4	60	1492-CJLJ6-2, -3, -4	60
Insulated Side Jumper — 24-Pole	1492-SJ5B-24	50	1492-SJ5B-24	50	—	—
Insulated Side Jumper — 10-Pole	1492-SJ5B-10	50	1492-SJ5B-10	50	—	—
Screw Type Jumper Notching Tool	1492-T1	1	1492-T1	1	—	—
Other Accessories:						
Partition Plate	1492-EBJ16	20	1492-EBJ16	20	—	—
Test Plug Socket	1492-TPS23L	50	1492-TPS23L	50	1492-TPS23L	50
Test Plug	1492-TP23	20	1492-TP23	20	1492-TP23	20
Test Plug (Stackable)	1492-TPJ5	25	1492-TPJ5	25	—	—
Marking Systems:						
Snap-in marker card	1492-M5X12 (144/card)	5	1492-M5X12 (144/card)	5	1492-MR6X12 (120/card)	5
	1492-M6X12 (200/card)	5	1492-M6X12 (200/card)	5	1492-M6X12 (120/card)	5

* Use of center jumpers may affect spacings, requiring derating of terminal blocks.