

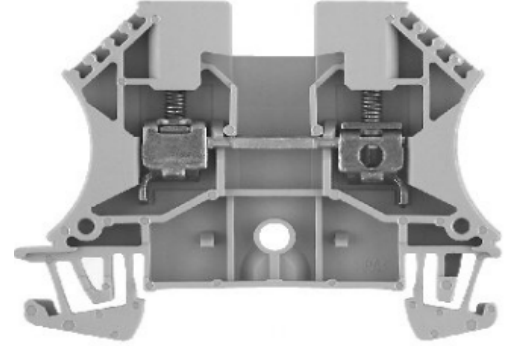
# Product Details and Certifications

## Cross Reference RA Part Number: 1492-J4-B A



### Product: **1492-J4-B**

Description: 1492-J IEC Terminal Block, One-Circuit Feed-Through Block, 4 mm (# 22 AWG - # 10 AWG) or 2.5 mm (# 22 AWG - # 12 AWG), Standard Feedthrough, Blue



Representative Photo Only (actual product may vary based on configuration sections)

### **ACCESSORY SELECTION**

---

Bulletin Number	1492 Terminal Block Accessories
Accessory Selection	Individual Accessory Selection

### **CERTIFICATIONS AND APPROVALS**

---

UR	UL 486E, UL 1059; Reference File: E40735, E187022
CSA	CSA C22.2 No. 65, No. 158; On Website, Name: Rockwell, Keyword Search: 1492
IEC	EN 60947-1, EN 60947-7-1(Feed-Through), -2(Ground), -3(Fuse)
ATEX	<a href="http://www.rockwellautomation.com/products/certification/ex/excert.html">http://www.rockwellautomation.com/products/certification/ex/excert.html</a>
Short Circuit Current Rating	This terminal block carries a minimum of 10kA SCCR rating for all protection methods. Please see the table for other possible elevated ratings.
For CSA Certifications:	<a href="http://directories.csa-international.org/directorymain.asp">http://directories.csa-international.org/directorymain.asp</a>
For UL Certifications Directory:	<a href="http://database.ul.com/cgi-bin/XYV/template/LISEXT/1FRAME/index.htm">http://database.ul.com/cgi-bin/XYV/template/LISEXT/1FRAME/index.htm</a>

# Screw Connection Terminal Blocks

## Standard Feed-Through Blocks



	<b>1492-J3</b>	<b>1492-J4</b>	<b>1492-J6</b>
Dimensions are not intended to be used for manufacturing purposes. Note: Height dimension is measured from top of rail to top of terminal block.			

Specifications	Feed-through terminal block				Feed-through terminal block				Feed-through terminal block			
	UL	CSA	IEC	ATEX	UL	CSA	IEC	ATEX	UL	CSA	IEC	ATEX
Certifications	UL	CSA	IEC	ATEX	UL	CSA	IEC	ATEX	UL	CSA	IEC	ATEX
Voltage Rating	600V AC/DC		800V AC/DC	550V AC/DC	600V AC/DC		800V AC/DC	690V AC/DC	600V AC/DC		800V AC/DC	550V AC/DC
Maximum Current	25 A	20 A	24 A	21 A	35 A	25 A	32 A	28 A	50 A	41 A	36 A	36 A
Wire Range (Rated Cross Section)	#22...12 AWG	#26...12 AWG	2.5 mm <sup>2</sup>	2.5 mm <sup>2</sup> (#20...14 AWG)	#22...10 AWG	#26...10 AWG	4 mm <sup>2</sup>	4 mm <sup>2</sup> (#20...12 AWG)	#22...8 AWG	6 mm <sup>2</sup>	6 mm <sup>2</sup> (#20...10 AWG)	6 mm <sup>2</sup> (#20...10 AWG)
Wire Strip Length	0.39 in. (10 mm)				0.39 in. (10 mm)				0.47 in. (12 mm)			
Recommended Tightening Torque	4.5...7.1 lb•in (0.5...0.8 N•m)				9.0 lb•in (1.0 N•m)				14.2 lb•in (1.6 N•m)			
Density	59 pcs/ft (196 pcs/m)				49 pcs/ft (163 pcs/m)				37 pcs/ft (123 pcs/m)			
Housing Temperature Range	-58...+248 °F (-50...+120 °C)				-58...+248 °F (-50...+120 °C)				-58...+248 °F (-50...+120 °C)			
Short-Circuit Current Rating	See page 12-42											

Terminal Blocks	Cat. No.	Pkg Qty.	Cat. No.	Pkg Qty.	Cat. No.	Pkg Qty.	
<b>Color:</b>	Grey	<b>1492-J3</b>	100	<b>1492-J4</b>	100	<b>1492-J6</b>	100
	Red	<b>1492-J3-RE</b>	100	<b>1492-J4-RE</b>	100	<b>1492-J6-RE</b>	100
	Blue	<b>1492-J3-B</b>	100	<b>1492-J4-B</b>	100	<b>1492-J6-B</b>	100
	Black	<b>1492-J3-BL</b>	100	<b>1492-J4-BL</b>	100	<b>1492-J6-BL</b>	100
	Green	<b>1492-J3-G</b>	100	<b>1492-J4-G</b>	100	<b>1492-J6-G</b>	100
	Yellow	<b>1492-J3-Y</b>	100	<b>1492-J4-Y</b>	100	<b>1492-J6-Y</b>	100
	Orange	<b>1492-J3-OR</b>	100	<b>1492-J4-OR</b>	100	<b>1492-J6-OR</b>	100
	Brown	<b>1492-J3-BR</b>	100	<b>1492-J4-BR</b>	100	<b>1492-J6-BR</b>	100
	White	<b>1492-J3-W</b>	100	<b>1492-J4-W</b>	100	<b>1492-J6-W</b>	100
	Violet	<b>1492-J3-V</b>	100	<b>1492-J4-V</b>	100	—	—
Mounting Rails:							
1 m Symmetrical DIN (Steel)	<b>199-DR1</b>	10	<b>199-DR1</b>	10	<b>199-DR1</b>	10	
1 m Symmetrical DIN (Aluminum)	<b>1492-DR5</b>	10	<b>1492-DR5</b>	10	<b>1492-DR5</b>	10	
1 m Hi-Rise Sym. DIN (Aluminum)	<b>1492-DR6</b>	2	<b>1492-DR6</b>	2	<b>1492-DR6</b>	2	
1 m Angled Hi-Rise Sym. DIN (Steel)	<b>1492-DR7</b>	2	<b>1492-DR7</b>	2	<b>1492-DR7</b>	2	
End Barriers							
Grey	<b>1492-EBJ3</b>	50	<b>1492-EBJ3</b>	50	<b>1492-EBJ3</b>	50	
Blue	<b>1492-EBJ3-B</b>	50	<b>1492-EBJ3-B</b>	50	<b>1492-EBJ3-B</b>	50	
Yellow	<b>1492-EBJ3-Y</b>	50	<b>1492-EBJ3-Y</b>	50	<b>1492-EBJ3-Y</b>	50	
End Anchors and Retainers:							
DIN Rail — Normal Duty	<b>1492-EAJ35</b>	100	<b>1492-EAJ35</b>	100	<b>1492-EAJ35</b>	100	
DIN Rail — Heavy Duty	<b>1492-EAHJ35</b>	50	<b>1492-EAHJ35</b>	50	<b>1492-EAHJ35</b>	50	
Screwless End Retainer	<b>1492-ERL35</b>	20	<b>1492-ERL35</b>	20	<b>1492-ERL35</b>	20	
Jumpers:*							
Screw Center Jumper — 10-pole	<b>1492-CJJ5-10</b>	20	<b>1492-CJJ6-10</b>	20	<b>1492-CJJ8-10</b>	20	
Screw Center Jumper — 4-pole	<b>1492-CJJ5-4</b>	50	<b>1492-CJJ6-4</b>	50	<b>1492-CJJ8-4</b>	50	
Screw Center Jumper — 3-pole	<b>1492-CJJ5-3</b>	50	<b>1492-CJJ6-3</b>	50	<b>1492-CJJ8-3</b>	50	
Screw Center Jumper — 2-pole	<b>1492-CJJ5-2</b>	50	<b>1492-CJJ6-2</b>	50	<b>1492-CJJ8-2</b>	50	
Plug-in Center Jumper — 50-Pole	<b>1492-CJLJ5-50</b>	10	<b>1492-CJLJ6-41 (41-pole)</b>	10	—	—	
Plug-in Center Jumper — 10-Pole	<b>1492-CJLJ5-10</b>	20	<b>1492-CJLJ6-10</b>	20	—	—	
Plug-in Center Jumper — 9-Pole	1492-CJLJ5-9	20	—	—	—	—	
Plug-in Center Jumper — 8-Pole	<b>1492-CJLJ5-8</b>	20	—	—	—	—	
Plug-in Center Jumper — 7-Pole	<b>1492-CJLJ5-7</b>	20	—	—	—	—	
Plug-in Center Jumper — 6-Pole	<b>1492-CJLJ5-6</b>	20	—	—	—	—	
Plug-in Center Jumper — 5-Pole	<b>1492-CJLJ5-5</b>	20	—	—	—	—	
Plug-in Center Jumper — 4-Pole	<b>1492-CJLJ5-4</b>	60	<b>1492-CJLJ6-4</b>	60	—	—	
Plug-in Center Jumper — 3-Pole	<b>1492-CJLJ5-3</b>	60	<b>1492-CJLJ6-3</b>	60	—	—	
Plug-in Center Jumper — 2-Pole	<b>1492-CJLJ5-2</b>	60	<b>1492-CJLJ6-2</b>	60	—	—	
Insulated Side Jumper — 24-Pole	<b>1492-SJ5B-24</b>	50	—	—	—	—	
Insulated Side Jumper — 10-Pole	<b>1492-SJ5B-10</b>	50	—	—	—	—	
Screw Type Jumper Notching Tool	<b>1492-T1</b>	1	<b>1492-T1</b>	1	<b>1492-T1</b>	1	
Other Accessories:							
Partition Plate	<b>1492-EBJ16</b>	20	<b>1492-EBJ16</b>	20	<b>1492-EBJ16</b>	20	
Test Plug Socket	<b>1492-TPS23</b>	20	<b>1492-TPS23L</b>	50	<b>1492-TPS23L</b>	50	
Test Plug	<b>1492-TP23</b>	20	<b>1492-TP23</b>	20	<b>1492-TP23</b>	20	
Test Plug (Stackable)	<b>1492-TPJ5</b>	25	<b>1492-TPJ6</b>	25	—	—	
Electrical Warning Plate	<b>1492-EWPJ5</b>	25	<b>1492-EWPJ5</b>	25	<b>1492-EWPJ8</b>	50	
Marking Systems:	<b>1492-M5X12 (144/card)</b>	5	<b>1492-M6X12 (120/card)</b>	5	<b>1492-MR8X12 (84/card)</b>	5	
Snap-in Marker Cards	<b>1492-M5X5 (200/card)</b>	5	<b>1492-M6X5 (200/card)</b>	5	<b>1492-M8X5 (160/card)</b>	5	

\* Use of center jumpers may affect spacings, requiring derating of terminal blocks. See page 12-83 for details.