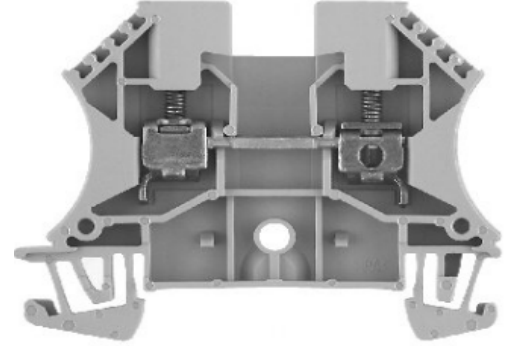


Product Details and Certifications

Cross Reference RA Part Number: 1492-J4-W A

Product: **1492-J4-W**

Description: 1492-J IEC Terminal Block, One-Circuit Feed-Through Block, 4 mm (# 22 AWG - # 10 AWG) or 2.5 mm (# 22 AWG - # 12 AWG), Standard Feedthrough, White



Representative Photo Only (actual product may vary based on configuration sections)

ACCESSORY SELECTION

Bulletin Number	1492 Terminal Block Accessories
Accessory Selection	Individual Accessory Selection

CERTIFICATIONS AND APPROVALS

UR	UL 486E, UL 1059; Reference File: E40735, E187022
CSA	CSA C22.2 No. 65, No. 158; On Website, Name: Rockwell, Keyword Search: 1492
IEC	EN 60947-1, EN 60947-7-1(Feed-Through), -2(Ground), -3(Fuse)
ATEX	http://www.rockwellautomation.com/products/certification/ex/excert.html
Short Circuit Current Rating	This terminal block carries a minimum of 10kA SCCR rating for all protection methods. Please see the table for other possible elevated ratings.
For CSA Certifications:	http://directories.csa-international.org/directorymain.asp
For UL Certifications Directory:	http://database.ul.com/cgi-bin/XYV/template/LISEXT/1FRAME/index.htm

Screw Connection Terminal Blocks

Standard Feed-Through Blocks

	1492-J3				1492-J4				1492-J6			
Dimensions are not intended to be used for manufacturing purposes. Note: Height dimension is measured from top of rail to top of terminal block.												
Specifications	Feed-through terminal block				Feed-through terminal block				Feed-through terminal block			
Certifications		CSA	IEC	ATEX		CSA	IEC	ATEX		CSA	IEC	ATEX
Voltage Rating	600V AC/DC		800V AC/DC	550V AC/DC	600V AC/DC		800V AC/DC	690V AC/DC	600V AC/DC		800V AC/DC	550V AC/DC
Maximum Current	25 A	20 A	24 A	21 A	35 A	25 A	32 A	28 A	50 A	41 A	36 A	
Wire Range (Rated Cross Section)	#22...12 AWG	#26...12 AWG	2.5 mm ²	2.5 mm ² (#20...14 AWG)	#22...10 AWG	#26...10 AWG	4 mm ²	4 mm ² (#20...12 AWG)	#22...8 AWG	6 mm ²	6 mm ² (#20...10 AWG)	
Wire Strip Length	0.39 in. (10 mm)				0.39 in. (10 mm)				0.47 in. (12 mm)			
Recommended Tightening Torque	4.5...7.1 lb•in (0.5...0.8 N•m)				9.0 lb•in (1.0 N•m)				14.2 lb•in (1.6 N•m)			
Density	59 pcs/ft (196 pcs/m)				49 pcs/ft (163 pcs/m)				37 pcs/ft (123 pcs/m)			
Housing Temperature Range	-58...+248 °F (-50...+120 °C)				-58...+248 °F (-50...+120 °C)				-58...+248 °F (-50...+120 °C)			
Short-Circuit Current Rating	See page 12-42											
Terminal Blocks	Cat. No.	Pkg Qty.	Cat. No.	Pkg Qty.	Cat. No.	Pkg Qty.	Cat. No.	Pkg Qty.				
Color:	Grey	1492-J3	100	1492-J4	100	1492-J6	100	100				
	Red	1492-J3-RE	100	1492-J4-RE	100	1492-J6-RE	100	100				
	Blue	1492-J3-B	100	1492-J4-B	100	1492-J6-B	100	100				
	Black	1492-J3-BL	100	1492-J4-BL	100	1492-J6-BL	100	100				
	Green	1492-J3-G	100	1492-J4-G	100	1492-J6-G	100	100				
	Yellow	1492-J3-Y	100	1492-J4-Y	100	1492-J6-Y	100	100				
	Orange	1492-J3-OR	100	1492-J4-OR	100	1492-J6-OR	100	100				
	Brown	1492-J3-BR	100	1492-J4-BR	100	1492-J6-BR	100	100				
	White	1492-J3-W	100	1492-J4-W	100	1492-J6-W	100	100				
	Violet	1492-J3-V	100	1492-J4-V	100	—	—	—				
Mounting Rails:												
1 m Symmetrical DIN (Steel)	199-DR1	10	199-DR1	10	199-DR1	10	199-DR1	10				
1 m Symmetrical DIN (Aluminum)	1492-DR5	10	1492-DR5	10	1492-DR5	10	1492-DR5	10				
1 m Hi-Rise Sym. DIN (Aluminum)	1492-DR6	2	1492-DR6	2	1492-DR6	2	1492-DR6	2				
1 m Angled Hi-Rise Sym. DIN (Steel)	1492-DR7	2	1492-DR7	2	1492-DR7	2	1492-DR7	2				
End Barriers												
Grey	1492-EBJ3	50	1492-EBJ3	50	1492-EBJ3	50	1492-EBJ3	50				
Blue	1492-EBJ3-B	50	1492-EBJ3-B	50	1492-EBJ3-B	50	1492-EBJ3-B	50				
Yellow	1492-EBJ3-Y	50	1492-EBJ3-Y	50	1492-EBJ3-Y	50	1492-EBJ3-Y	50				
End Anchors and Retainers:												
DIN Rail — Normal Duty	1492-EAJ35	100	1492-EAJ35	100	1492-EAJ35	100	1492-EAJ35	100				
DIN Rail — Heavy Duty	1492-EAHJ35	50	1492-EAHJ35	50	1492-EAHJ35	50	1492-EAHJ35	50				
Screwless End Retainer	1492-ERL35	20	1492-ERL35	20	1492-ERL35	20	1492-ERL35	20				
Jumpers:*												
Screw Center Jumper — 10-pole	1492-CJJ5-10	20	1492-CJJ6-10	20	1492-CJJ8-10	20	1492-CJJ8-10	20				
Screw Center Jumper — 4-pole	1492-CJJ5-4	50	1492-CJJ6-4	50	1492-CJJ8-4	50	1492-CJJ8-4	50				
Screw Center Jumper — 3-pole	1492-CJJ5-3	50	1492-CJJ6-3	50	1492-CJJ8-3	50	1492-CJJ8-3	50				
Screw Center Jumper — 2-pole	1492-CJJ5-2	50	1492-CJJ6-2	50	1492-CJJ8-2	50	1492-CJJ8-2	50				
Plug-in Center Jumper — 50-Pole	1492-CJLJ5-50	10	1492-CJLJ6-41 (41-pole)	10	—	—	—	—				
Plug-in Center Jumper — 10-Pole	1492-CJLJ5-10	20	1492-CJLJ6-10	20	—	—	—	—				
Plug-in Center Jumper — 9-Pole	1492-CJLJ5-9	20	—	—	—	—	—	—				
Plug-in Center Jumper — 8-Pole	1492-CJLJ5-8	20	—	—	—	—	—	—				
Plug-in Center Jumper — 7-Pole	1492-CJLJ5-7	20	—	—	—	—	—	—				
Plug-in Center Jumper — 6-Pole	1492-CJLJ5-6	20	—	—	—	—	—	—				
Plug-in Center Jumper — 5-Pole	1492-CJLJ5-5	20	—	—	—	—	—	—				
Plug-in Center Jumper — 4-Pole	1492-CJLJ5-4	60	1492-CJLJ6-4	60	—	—	—	—				
Plug-in Center Jumper — 3-Pole	1492-CJLJ5-3	60	1492-CJLJ6-3	60	—	—	—	—				
Plug-in Center Jumper — 2-Pole	1492-CJLJ5-2	60	1492-CJLJ6-2	60	—	—	—	—				
Insulated Side Jumper — 24-Pole	1492-SJ5B-24	50	—	—	—	—	—	—				
Insulated Side Jumper — 10-Pole	1492-SJ5B-10	50	—	—	—	—	—	—				
Screw Type Jumper Notching Tool	1492-T1	1	1492-T1	1	1492-T1	1	1492-T1	1				
Other Accessories:												
Partition Plate	1492-EBJ16	20	1492-EBJ16	20	1492-EBJ16	20	1492-EBJ16	20				
Test Plug Socket	1492-TPS23	20	1492-TPS23L	50	1492-TPS23L	50	1492-TPS23L	50				
Test Plug	1492-TP23	20	1492-TP23	20	1492-TP23	20	1492-TP23	20				
Test Plug (Stackable)	1492-TPJ5	25	1492-TPJ6	25	—	—	—	—				
Electrical Warning Plate	1492-EWPJ5	25	1492-EWPJ5	25	1492-EWPJ8	50	1492-EWPJ8	50				
Marking Systems:	1492-M5X12 (144/card)	5	1492-M6X12 (120/card)	5	1492-MR8X12 (84/card)	5	1492-MR8X12 (84/card)	5				
Snap-in Marker Cards	1492-M5X5 (200/card)	5	1492-M6X5 (200/card)	5	1492-M8X5 (160/card)	5	1492-M8X5 (160/card)	5				

* Use of center jumpers may affect spacings, requiring derating of terminal blocks. See page 12-83 for details.