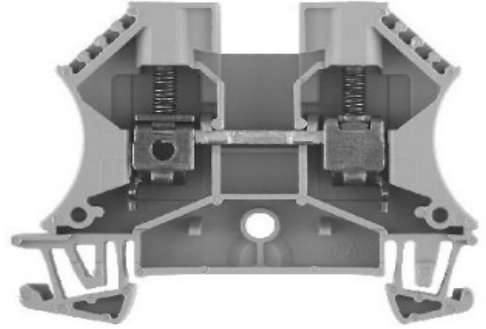


# Product Details and Certifications

## Cross Reference RA Part Number: 1492-J6 A

 **Product: 1492-J6**

Description: 1492-J IEC Terminal Block, One-Circuit Feed-Through Block, 6 mm  
(# 22 AWG - # 10 AWG), Standard FeedThrough, Gray (Standard)



Representative Photo Only (actual product may vary based on configuration sections)

### **ACCESSORY SELECTION**

---

Bulletin Number	1492 Terminal Block Accessories
Accessory Selection	Individual Accessory Selection

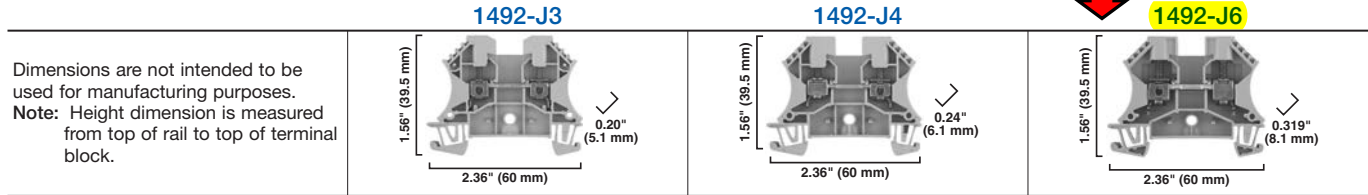
### **CERTIFICATIONS AND APPROVALS**

---

UR	UL 486E, UL 1059; Reference File: E40735, E187022
CSA	CSA C22.2 No. 65, No. 158; On Website, Name: Rockwell, Keyword Search: 1492
IEC	EN 60947-1, EN 60947-7-1(Feed-Through), -2(Ground), -3(Fuse)
ATEX	<a href="http://www.rockwellautomation.com/products/certification/ex/excert.html">http://www.rockwellautomation.com/products/certification/ex/excert.html</a>
Short Circuit Current Rating	This terminal block carries a minimum of 10kA SCCR rating for all protection methods. Please see the table for other possible elevated ratings.
For CSA Certifications:	<a href="http://directories.csa-international.org/directorymain.asp">http://directories.csa-international.org/directorymain.asp</a>
For UL Certifications Directory:	<a href="http://database.ul.com/cgi-bin/XYV/template/LISEXT/1FRAME/index.htm">http://database.ul.com/cgi-bin/XYV/template/LISEXT/1FRAME/index.htm</a>

# Screw Connection Terminal Blocks

## Standard Feed-Through Blocks



Specifications	Feed-through terminal block				Feed-through terminal block				Feed-through terminal block			
	UL	CSA	IEC	ATEX	UL	CSA	IEC	ATEX	UL	CSA	IEC	ATEX
Voltage Rating	600V AC/DC		800V AC/DC	550V AC/DC	600V AC/DC		800V AC/DC	690V AC/DC	600V AC/DC		800V AC/DC	550V AC/DC
Maximum Current	25 A	20 A	24 A	21 A	35 A	25 A	32 A	28 A	50 A	41 A	36 A	
Wire Range (Rated Cross Section)	#22...12 AWG	#26...12 AWG	2.5 mm <sup>2</sup>	2.5 mm <sup>2</sup> (#20...14 AWG)	#22...10 AWG	#26...10 AWG	4 mm <sup>2</sup>	4 mm <sup>2</sup> (#20...12 AWG)	#22...8 AWG	6 mm <sup>2</sup>	6 mm <sup>2</sup> (#20...10 AWG)	
Wire Strip Length	0.39 in. (10 mm)				0.39 in. (10 mm)				0.47 in. (12 mm)			
Recommended Tightening Torque	4.5...7.1 lb•in (0.5...0.8 N•m)				9.0 lb•in (1.0 N•m)				14.2 lb•in (1.6 N•m)			
Density	59 pcs/ft (196 pcs/m)				49 pcs/ft (163 pcs/m)				37 pcs/ft (123 pcs/m)			
Housing Temperature Range	-58...+248 °F (-50...+120 °C)				-58...+248 °F (-50...+120 °C)				-58...+248 °F (-50...+120 °C)			
Short-Circuit Current Rating	See page 12-42											

Terminal Blocks	Cat. No.	Pkg Qty.	Cat. No.	Pkg Qty.	Cat. No.	Pkg Qty.	
Color:	Grey	1492-J3	100	1492-J4	100	1492-J6	100
	Red	1492-J3-RE	100	1492-J4-RE	100	1492-J6-RE	100
	Blue	1492-J3-B	100	1492-J4-B	100	1492-J6-B	100
	Black	1492-J3-BL	100	1492-J4-BL	100	1492-J6-BL	100
	Green	1492-J3-G	100	1492-J4-G	100	1492-J6-G	100
	Yellow	1492-J3-Y	100	1492-J4-Y	100	1492-J6-Y	100
	Orange	1492-J3-OR	100	1492-J4-OR	100	1492-J6-OR	100
	Brown	1492-J3-BR	100	1492-J4-BR	100	1492-J6-BR	100
	White	1492-J3-W	100	1492-J4-W	100	1492-J6-W	100
	Violet	1492-J3-V	100	1492-J4-V	100	—	—
Mounting Rails:							
1 m Symmetrical DIN (Steel)	199-DR1	10	199-DR1	10	199-DR1	10	
1 m Symmetrical DIN (Aluminum)	1492-DR5	10	1492-DR5	10	1492-DR5	10	
1 m Hi-Rise Sym. DIN (Aluminum)	1492-DR6	2	1492-DR6	2	1492-DR6	2	
1 m Angled Hi-Rise Sym. DIN (Steel)	1492-DR7	2	1492-DR7	2	1492-DR7	2	
End Barriers							
Grey	1492-EBJ3	50	1492-EBJ3	50	1492-EBJ3	50	
Blue	1492-EBJ3-B	50	1492-EBJ3-B	50	1492-EBJ3-B	50	
Yellow	1492-EBJ3-Y	50	1492-EBJ3-Y	50	1492-EBJ3-Y	50	
End Anchors and Retainers:							
DIN Rail — Normal Duty	1492-EAJ35	100	1492-EAJ35	100	1492-EAJ35	100	
DIN Rail — Heavy Duty	1492-EAHJ35	50	1492-EAHJ35	50	1492-EAHJ35	50	
Screwless End Retainer	1492-ERL35	20	1492-ERL35	20	1492-ERL35	20	
Jumpers:*							
Screw Center Jumper — 10-pole	1492-CJJ5-10	20	1492-CJJ6-10	20	1492-CJJ8-10	20	
Screw Center Jumper — 4-pole	1492-CJJ5-4	50	1492-CJJ6-4	50	1492-CJJ8-4	50	
Screw Center Jumper — 3-pole	1492-CJJ5-3	50	1492-CJJ6-3	50	1492-CJJ8-3	50	
Screw Center Jumper — 2-pole	1492-CJJ5-2	50	1492-CJJ6-2	50	1492-CJJ8-2	50	
Plug-in Center Jumper — 50-Pole	1492-CJLJ5-50	10	1492-CJLJ6-41 (41-pole)	10	—	—	
Plug-in Center Jumper — 10-Pole	1492-CJLJ5-10	20	1492-CJLJ6-10	20	—	—	
Plug-in Center Jumper — 9-Pole	1492-CJLJ5-9	20	—	—	—	—	
Plug-in Center Jumper — 8-Pole	1492-CJLJ5-8	20	—	—	—	—	
Plug-in Center Jumper — 7-Pole	1492-CJLJ5-7	20	—	—	—	—	
Plug-in Center Jumper — 6-Pole	1492-CJLJ5-6	20	—	—	—	—	
Plug-in Center Jumper — 5-Pole	1492-CJLJ5-5	20	—	—	—	—	
Plug-in Center Jumper — 4-Pole	1492-CJLJ5-4	60	1492-CJLJ6-4	60	—	—	
Plug-in Center Jumper — 3-Pole	1492-CJLJ5-3	60	1492-CJLJ6-3	60	—	—	
Plug-in Center Jumper — 2-Pole	1492-CJLJ5-2	60	1492-CJLJ6-2	60	—	—	
Insulated Side Jumper — 24-Pole	1492-SJ5B-24	50	—	—	—	—	
Insulated Side Jumper — 10-Pole	1492-SJ5B-10	50	—	—	—	—	
Screw Type Jumper Notching Tool	1492-T1	1	1492-T1	1	1492-T1	1	
Other Accessories:							
Partition Plate	1492-EBJ16	20	1492-EBJ16	20	1492-EBJ16	20	
Test Plug Socket	1492-TPS23	20	1492-TPS23L	50	1492-TPS23L	50	
Test Plug	1492-TP23	20	1492-TP23	20	1492-TP23	20	
Test Plug (Stackable)	1492-TPJ5	25	1492-TPJ6	25	—	—	
Electrical Warning Plate	1492-EWPJ5	25	1492-EWPJ5	25	1492-EWPJ8	50	
Marking Systems:							
Snap-in Marker Cards	1492-M5X12 (144/card)	5	1492-M6X12 (120/card)	5	1492-MR8X12 (84/card)	5	
	1492-M5X5 (200/card)	5	1492-M6X5 (200/card)	5	1492-M8X5 (160/card)	5	

\* Use of center jumpers may affect spacings, requiring derating of terminal blocks. See page 12-83 for details.