

Product Details and Certifications

Cross Reference RA Part Number: 1492-J70 A



Product: 1492-J70

Description: 1492-J IEC Terminal Block, One-Circuit Feed-Through Block, 70 mm
(# 4 AWG - # 3/0 AWG), Standard FeedThrough, Gray



Representative Photo Only (actual product may vary based on configuration sections)

ACCESSORY SELECTION

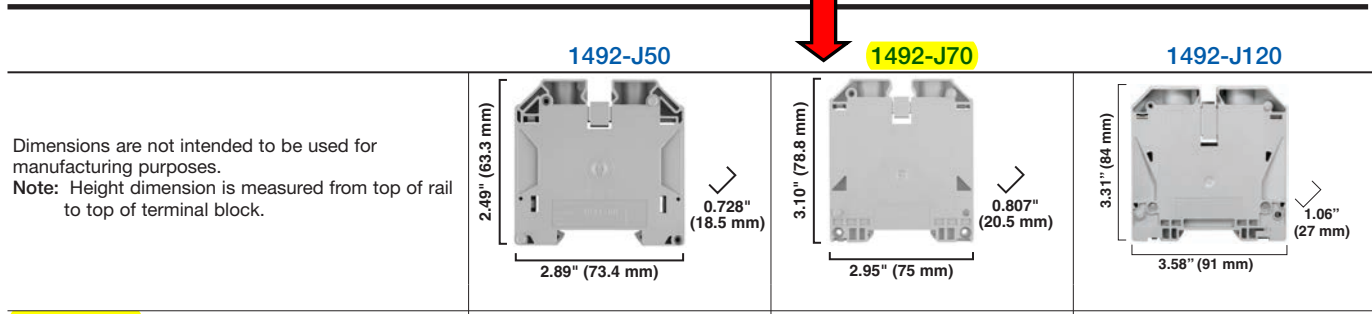
Bulletin Number	1492 Terminal Block Accessories
Accessory Selection	Individual Accessory Selection

CERTIFICATIONS AND APPROVALS

UR	UL 486E, UL 1059; Reference File: E40735, E187022
CSA	CSA C22.2 No. 65, No. 158; On Website, Name: Rockwell, Keyword Search: 1492
IEC	EN 60947-1, EN 60947-7-1(Feed-Through), -2(Ground), -3(Fuse)
ATEX	http://www.rockwellautomation.com/products/certification/ex/excert.html
Short Circuit Current Rating	This terminal block carries a minimum of 10kA SCCR rating for all protection methods. Please see the table for other possible elevated ratings.
For CSA Certifications:	http://directories.csa-international.org/directorymain.asp
For UL Certifications Directory:	http://database.ul.com/cgi-bin/XYV/template/LISEXT/1FRAME/index.htm

Screw Connection Terminal Blocks

Standard Feed-Through Blocks



Specifications	Feed-through terminal block				Feed-through terminal block				Feed-through terminal block		
	UL	CSA	IEC	ATEX	UL	CSA	IEC	ATEX	UL	CSA	IEC
Certifications	1000V AC/DC	600V AC/DC	1000V AC/DC	690V AC/DC	600V AC/DC	1000V AC/DC	690V AC/DC	1000V AC/DC	1000V AC/DC		
Voltage Rating	150 A	150 A	126 A	175 A	205 A	192 A	167 A	228 A	220 A	269 A	
Maximum Current	#10... 1/0 AWG	#8... 1/0 AWG	50 mm ²	#10... 1/0 AWG 50 mm ²	#6...2/0 AWG	70 mm ²	#8... 2/0 AWG 70 mm ²	#4... 250 MCM AWG	#4... 4/0 AWG	16... 120 mm ²	
Wire Range (Rated Cross Section)	0.94 in. (24 mm)				0.87 in. (22 mm)				1.06 in. (27 mm)		
Wire Strip Length	31.5 lb•in (3.6 N•m)				87.0 lb•in (9.8 N•m)				141.6 lb•in (16.0 N•m)		
Recommended Tightening Torque	16 pcs/ft (54 pcs/m)				14 pcs/ft (48 pcs/m)				11 pcs/ft (37 pcs/m)		
Density	-58...+248 °F (-50...+120 °C)				-58...+248 °F (-50...+120 °C)				-58...+248 °F (-50...+120 °C)		
Housing Temperature Range	Short-Circuit Current Rating										
Short-Circuit Current Rating	See page 12-42										

Terminal Blocks	Cat. No.	Pkg Qty.	Cat. No.	Pkg Qty.	Cat. No.	Pkg Qty.
Color:	Grey	1492-J50	10	1492-J70	10	1492-J120
	Blue	1492-J50-B	10	1492-J120-B	5	1492-J120-B
Accessories	Cat. No.	Pkg Qty.	Cat. No.	Pkg Qty.	Cat. No.	Pkg Qty.
Mounting Rails:						
1 m Symmetrical DIN (Steel)	199-DR1	10	199-DR1	10	—	—
1 m Symmetrical Heavy Duty DIN (Steel, Unslotted)	199-DR4	5	199-DR4	5	199-DR4	5
1 m Symmetrical DIN (Aluminum)	1492-DR5	10	1492-DR5	10	—	—
1 m Hi-Rise Sym. DIN (Aluminum)	1492-DR6	2	1492-DR6	2	—	—
1 m Angled Hi-Rise Sym. DIN (Steel)	1492-DR7	2	1492-DR7	2	—	—
1 m Symmetrical Heavy Duty DIN (Copper, Unslotted)	1492-DR8	5	1492-DR8	5	1492-DR8	5
1 m Symmetrical Heavy Duty DIN (Steel)	1492-DR9	5	1492-DR9	5	1492-DR9	5
End Barriers	Not Required	—	Not Required	—	Not Required	—
End Anchors:						
DIN Rail — Heavy Duty	1492-EAHJ35	50	1492-EAHJ35	50	1492-EAHJ35	50
Jumpers:						
Screw Center Jumper — 4-pole	1492-CJJ18-4	10	1492-CJJ20-4	5	1492-CJJ27-4	5
Screw Center Jumper — 3-pole	1492-CJJ18-3	10	1492-CJJ20-3	5	1492-CJJ27-3	5
Screw Center Jumper — 2-pole	1492-CJJ18-2	10	1492-CJJ20-2	5	1492-CJJ27-2	5
Other Accessories:						
Control Circuit Tap*	1492-J50A	5	1492-J70A	5	1492-J120A	5
Electrical Warning Plate	1492-EWPJ18	50	1492-EWPJ18	50	—	—
Marking Systems:						
Snap-in marker cards	1492-M7X12 (108/card)	5	1492-M7X12 (108/card)	5	1492-MR8X12 (84/card)	5
Snap-in marker cards	1492-M5X5 (200/card)	5	1492-M5X5 (200/card)	5	1492-M7X12 (108/card)	5

* Auxiliary connection, allowing a single additional #26...8 AWG wire connection.