

Product Details and Certifications

Cross Reference RA Part Number: 1492-JD3SS A

 **Product: 1492-JD3SS**

Description: 1492-J IEC Terminal Block, Two-Circuit Feed-Through Block, 2.5 mm (# 24 AWG - # 12 AWG), Two level block with a MOV between the 2 levels, Gray (Standard)



Representative Photo Only (actual product may vary based on configuration sections)

BLOCK STYLE

Bulletin Number	1492 Terminal Block Accessories
Base Block Style	Internal Component Blocks

BASE DATA

Base Block Type	Two-Circuit Feed-Through Block
-----------------	--------------------------------

DETAIL DATA

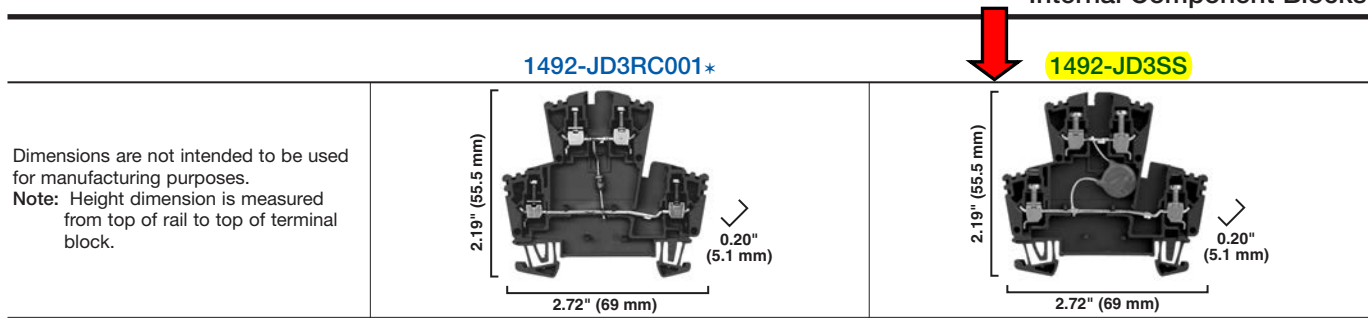
Features	Two level block with a MOV between the 2 levels
Maximum Wire Size & Rating	UL: 22-12 AWG (20A Busbar @600V AC/DC)\nCSA: 26-12 AWG (10A Busbar @115V AC/DC)\nIEC: 2.5mm ² (24A Busbar @115V AC/DC)
Color	Gray (Standard)

CERTIFICATIONS AND APPROVALS

UR	UL 486E, UL 1059; Reference File: E40735
CSA	CSA C22.2 No. 65, No. 158; On Website, Name: Rockwell, Keyword Search: 1492
IEC	EN 60947-1, EN 60947-7-1(Feed-Through), -2(Ground), -3(Fuse)
For CSA Certifications:	http://directories.csa-international.org/directorymain.asp
For UL Certifications Directory:	http://database.ul.com/cgi-bin/XYV/template/LISEXT/1FRAME/index.htm

Screw Connection Terminal Blocks

Internal Component Blocks



Specifications	<i>Two-level terminal block with a 249 ohm resistor between the levels</i>			<i>Two-level terminal block with an MOV between the levels.</i>		
Certifications		CSA	IEC		CSA	IEC
Voltage Rating	600V AC/DC	300V AC/DC	400V AC/DC	600V AC/DC	115V AC/DC	
Resistor Type	Precision Wire Wound			—		
Resistor Value	249 Ω, 1/2 W			—		
Current through Busbar	20 A	10 A	—	20 A	10 A	24 A
Wire Range (Rated Cross Section)	#22...12 AWG	#26...12 AWG	2.5 mm ²	#22...12 AWG	#26...12 AWG	2.5 mm ²
Wire Strip Length	0.39 in. (10 mm)			0.39 in. (10 mm)		
Recommended Tightening Torque	4.5...7.1 lb•in (0.5...0.8 N•m)			4.5...7.1 lb•in (0.5...0.8 N•m)		
Density	59 pcs/ft (196 pcs/m)			59 pcs/ft (196 pcs/m)		
Housing Temperature Range	-58...+248 °F (-50...+120 °C)			-58...+248 °F (-50...+120 °C)		

Terminal Blocks	Cat. No.	Pkg Qty.	Cat. No.	Pkg Qty.
Color: Grey	1492-JD3RC001	1	1492-JD3SS	1
Accessories	Cat. No.	Pkg Qty.	Cat. No.	Pkg Qty.
Mounting Rails:				
1 m Symmetrical DIN (Steel)	199-DR1	10	199-DR1	10
1 m Symmetrical DIN (Aluminum)	1492-DR5	10	1492-DR5	10
1 m Hi-Rise Sym. DIN (Aluminum)	1492-DR6	2	1492-DR6	2
1 m Angled Hi-Rise Sym. DIN (Steel)	1492-DR7	2	1492-DR7	2
End Barrier	1492-EBJD3	20	1492-EBJD3	20
End Anchors:				
Screwless End Retainer	1492-ERL35	20	1492-ERL35	20
DIN Rail — Normal Duty	1492-EAJ35	100	1492-EAJ35	100
DIN Rail — Heavy Duty	1492-EAHJ35	50	1492-EAHJ35	50
Jumpers:				
Screw Center Jumper — 10-pole	1492-CJJ5-10	20	1492-CJJ5-10	20
Screw Center Jumper — 4-pole	1492-CJJ5-4	50	1492-CJJ5-4	50
Screw Center Jumper — 3-pole	1492-CJJ5-3	50	1492-CJJ5-3	50
Screw Center Jumper — 2-pole	1492-CJJ5-2	50	1492-CJJ5-2	50
Insulated Side Jumper — 24-Pole	1492-SJ5A-24	50	1492-SJ5A-24	50
Insulated Side Jumper — 10-Pole	1492-SJ5A-10	50	1492-SJ5A-10	50
Screw Type Jumper Notching Tool	1492-T1	1	1492-T1	1
Other Accessories:				
Partition Plate	1492-PPJD3	20	1492-PPJD3	20
Marking Systems:				
Snap-in marker card	1492-M5X8 (144/card)	5	1492-M5X8 (144/card)	5
Snap-in marker card	1492-M5X5 (200/card)	5	1492-M5X5 (200/card)	5

* See page 12-97 for component specifications.