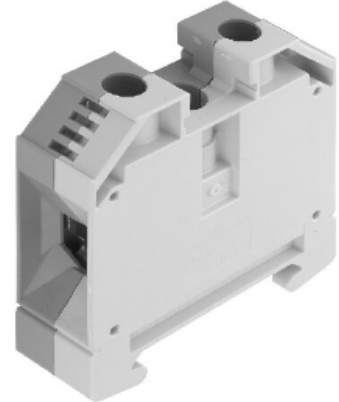


Product Details and Certifications

Cross Reference RA Part Number: 1492-JG16 A

Product: **1492-JG16**

Description: 1492-J IEC Terminal Block, One-Circuit Feed-Through Ground Block, 16 mm (# 14 AWG - # 4 AWG), Standard Feedthrough, Green / Yellow Stripe (Standard)



Representative Photo Only (actual product may vary based on configuration sections)

BLOCK STYLE

Bulletin Number	1492 Terminal Block Accessories
Base Block Style	Grounding Blocks

BASE DATA

Base Block Type	One-Circuit Feed-Through Ground Block
-----------------	---------------------------------------

DETAIL DATA

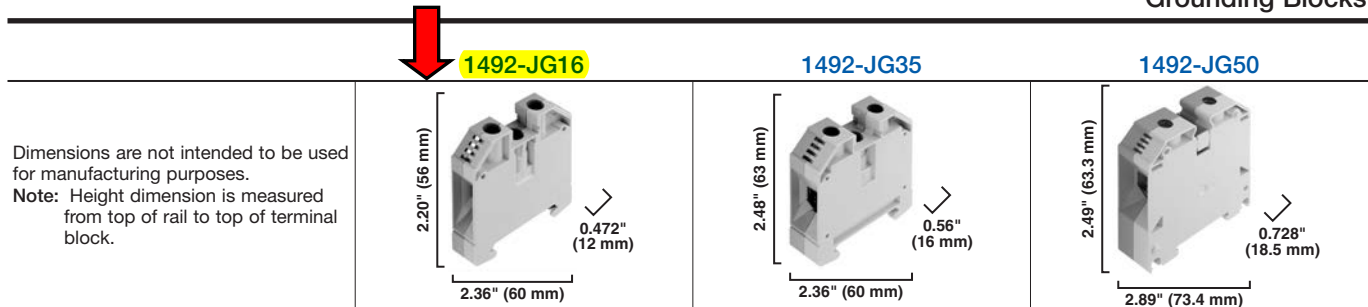
Features	Standard Feedthrough
Maximum Wire Size & Rating	UL: 24-4 AWG\nCSA: 24-4 AWG\nIEC: 16mm ² \nEEEx e II: 16mm ² /16-6 AWG
Color	Green / Yellow Stripe (Standard)

CERTIFICATIONS AND APPROVALS

UR	UL 486E, UL 1059; Reference File: E40735, E187022
CSA	CSA C22.2 No. 65, No. 158; On Website, Name: Rockwell, Keyword Search: 1492
IEC	EN 60947-1, EN 60947-7-1(Feed-Through), -2(Ground), -3(Fuse)
ATEX	http://www.rockwellautomation.com/products/certification/ex/excert.html
Short Circuit Current Rating	This terminal block carries a minimum of 10kA SCCR rating for all protection methods. Please see the table for other possible elevated ratings.
For CSA Certifications:	http://directories.csa-international.org/directorymain.asp
For UL Certifications Directory:	http://database.ul.com/cgi-bin/XYV/template/LISEXT/1FRAME/index.htm

Screw Connection Terminal Blocks

Grounding Blocks



Dimensions are not intended to be used for manufacturing purposes.
Note: Height dimension is measured from top of rail to top of terminal block.

Specifications	Feed-through grounding terminal block				Feed-through grounding terminal block				Feed-through grounding terminal block			
Certifications		CSA	IEC	ATEX		CSA	IEC	ATEX		CSA	IEC	ATEX
Voltage Rating	—	—	—	—	—	—	—	—	—	—	—	—
Maximum Current	Grounding				Grounding				Grounding			
Wire Range (Rated Cross Section)	#24...4 AWG	16 mm ²	16 mm ² (#16...6 AWG)		#12...1 AWG	#12...2 AWG	35 mm ²	35 mm ² (#14...2 AWG)	#10...1/0 AWG	#14...1/0 AWG	50 mm ²	50 mm ² (10...1/0 AWG)
Wire Strip Length	0.63 in. (16 mm)				0.70 in. (18 mm)				0.94 in. (24 mm)			
Recommended Tightening Torque	35.0 lb•in (4.0 N•m)				51.0 lb•in (5.8 N•m)				31.5 lb•in (3.6 N•m)			
Mounting Torque — Center Screw	10.6...21.2 lb•in (1.2...2.4 N•m)				10.6...21.2 lb•in (1.2...2.4 N•m)				17.7...35.4 lb•in (2.0...4.0 N•m)			
Density	25 pcs/ft (83 pcs/m)				19 pcs/ft (62 pcs/m)				16 pcs/ft (54 pcs/m)			
Housing Temperature Range	-58...+248 °F (-50...+120 °C)				-58...+248 °F (-50...+120 °C)				-58...+248 °F (-50...+120 °C)			
Short-Circuit Current Rating	See page 12-42											

Terminal Blocks	Cat. No.	Pkg Qty.	Cat. No.	Pkg Qty.	Cat. No.	Pkg Qty.
Color: Green/Yellow	1492-JG16	50	1492-JG35	25	1492-JG50	10
Accessories	Cat. No.	Pkg Qty.	Cat. No.	Pkg Qty.	Cat. No.	Pkg Qty.
Mounting Rails:						
1 m Symmetrical DIN (Steel)	199-DR1	10	—	—	—	—
1 m Symmetrical Heavy Duty DIN (Steel, Unslotted)	199-DR4	5	199-DR4	5	199-DR4	5
1 m Symmetrical DIN (Aluminum)	1492-DR5	10	1492-DR5	10	—	—
1 m Hi-Rise Sym. DIN (Aluminum)	1492-DR6	2	1492-DR6	2	—	—
1 m Angled Hi-Rise Sym. DIN (Steel)	1492-DR7	2	—	—	—	—
1 m Symmetrical Heavy Duty DIN (Copper, Unslotted)	1492-DR8	5	1492-DR8	5	1492-DR8	5
1 m Symmetrical Heavy Duty DIN (Steel)	1492-DR9	5	1492-DR9	5	1492-DR9	5
End Barrier	Not Required	—	Not Required	—	Not Required	—
End Anchors:						
DIN Rail — Heavy Duty	1492-EAHJ35	50	1492-EAHJ35	50	1492-EAHJ35	50
Marking Systems:						
Snap-in marker cards	1492-M7X12 (108/card)	5	1492-M7X12 (108/card)	5	1492-M7X12 (108/card)	5
Snap-in marker cards	1492-M8X5 (160/card)	5	1492-M8X5 (160/card)	5	1492-M8X5 (160/card)	5