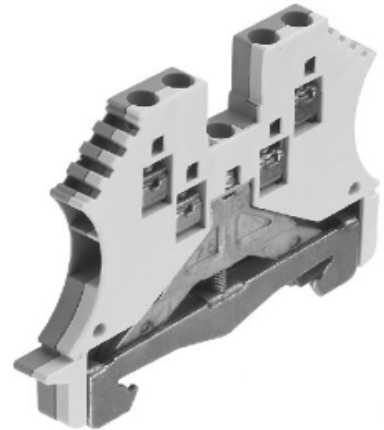


Product Details and Certifications

Cross Reference RA Part Number: 1492-JG3 A

Product: **1492-JG3**

Description: 1492-J IEC Terminal Block, One-Circuit Feed-Through Ground Block, 2.5 mm (# 24 AWG - # 12 AWG), Standard Feedthrough, Green / Yellow Stripe (Standard)



Representative Photo Only (actual product may vary based on configuration sections)

BLOCK STYLE

Bulletin Number	1492 Terminal Block Accessories
Base Block Style	Grounding Blocks

BASE DATA

Base Block Type	One-Circuit Feed-Through Ground Block
-----------------	---------------------------------------

DETAIL DATA

Features	Standard Feedthrough
Maximum Wire Size & Rating	UL: 22-12 AWG\nCSA: 22-12 AWG\nIEC: 2.5mm ² \nEEx e II: 2.5mm ² /20-14 AWG
Color	Green / Yellow Stripe (Standard)

CERTIFICATIONS AND APPROVALS

UR	UL 486E, UL 1059; Reference File: E40735, E187022
CSA	CSA C22.2 No. 65, No. 158; On Website, Name: Rockwell, Keyword Search: 1492
IEC	EN 60947-1, EN 60947-7-1(Feed-Through), -2(Ground), -3(Fuse)
ATEX	http://www.rockwellautomation.com/products/certification/ex/excert.html
Short Circuit Current Rating	This terminal block carries a minimum of 10kA SCCR rating for all protection methods. Please see the table for other possible elevated ratings.
For CSA Certifications:	http://directories.csa-international.org/directorymain.asp
For UL Certifications Directory:	http://database.ul.com/cgi-bin/XYV/template/LISEXT/1FRAME/index.htm

Screw Connection Terminal Blocks

Grounding Blocks



	1492-JG2Q	1492-JG3	1492-JG3TW
Dimensions are not intended to be used for manufacturing purposes. Note: Height dimension is measured from top of rail to top of terminal block.			
Specifications	Feed-through grounding terminal block with 2 connection points on each side		Feed-through grounding terminal block with 3 connection points, 2 on one side
Certifications	CSA IEC	CSA IEC ATEX	CSA IEC ATEX
Voltage Rating	—	—	—
Maximum Current	Grounding		
Wire Range (Rated Cross Section)	#22...14 AWG 1.5 mm ²	#22...12 AWG 2.5 mm ²	Single Side: #22...12 AWG 2.5 mm ² 2.5 mm ² (#20...14 AWG) Twin Side: #26...12 AWG 1.5 mm ² 1.5 mm ² (#20...16 AWG)
Wire Strip Length	0.28 in. (7 mm)	0.39 in. (10 mm)	Single Side: 0.39 in. (10 mm) Twin Side: 0.28 in. (7 mm)
Recommended Tightening Torque	5.0 lb•in (0.6 N•m)	7.1 lb•in (0.8 N•m)	Single Side: 7.1 lb•in (0.8 N•m)
Mounting Torque — Center Screw	3.5...5.3 lb•in (0.4...0.6 N•m)	3.5...6.2 lb•in (0.4...0.6 N•m)	Twin Side: 4.5 lb•in (0.5 N•m)
Density	59 pcs/ft (196 pcs/m)	59 pcs/ft (196 pcs/m)	59 pcs/ft (196 pcs/m)
Housing Temperature Range	-58...+248 °F (-50...+120 °C)	-58...+248 °F (-50...+120 °C)	-58...+248 °F (-50...+120 °C)
Short-Circuit Current Rating	See page 12-42		



Terminal Blocks	Cat. No.	Pkg Qty.	Cat. No.	Pkg Qty.	Cat. No.	Pkg Qty.
Color: Green/Yellow	1492-JG2Q	100	1492-JG3	100	1492-JG3TW	100
Accessories	Cat. No.	Pkg Qty.	Cat. No.	Pkg Qty.	Cat. No.	Pkg Qty.
Mounting Rails:						
1 m Symmetrical DIN (Steel)	199-DR1	10	199-DR1	10	199-DR1	10
1 m Symmetrical DIN (Aluminum)	1492-DR5	10	1492-DR5	10	1492-DR5	10
1 m Hi-Rise Sym. DIN (Aluminum)	1492-DR6	2	1492-DR6	2	1492-DR6	2
1 m Angled Hi-Rise Sym. DIN (Steel)	1492-DR7	2	1492-DR7	2	1492-DR7	2
End Barrier Yellow	1492-EBJ3-Y	50	1492-EBJ3-Y	50	1492-EBJ3-Y	50
End Anchors and End Retainers:						
Screwless End Retainer	1492-ERL35	20	1492-ERL35	20	1492-ERL35	20
DIN Rail — Normal Duty	1492-EAJ35	100	1492-EAJ35	100	1492-EAJ35	100
DIN Rail — Heavy Duty	1492-EAHJ35	50	1492-EAHJ35	50	1492-EAHJ35	50
Marking Systems:						
Snap-in marker cards	1492-M5X12 (144/card)	5	1492-M5X12 (144/card)	5	1492-M5X12 (144/card)	5
Snap-in marker cards	1492-M5X5 (200/card)	5	1492-M5X5 (200/card)	5	1492-M5X5 (200/card)	5

