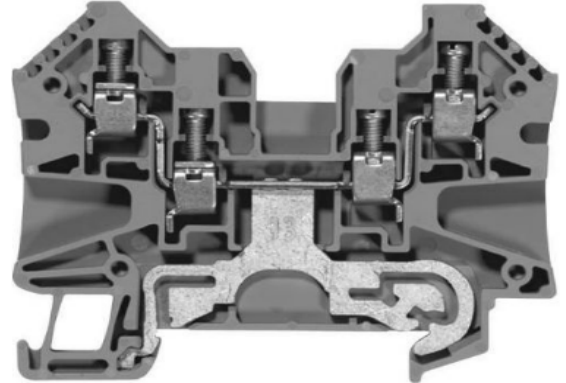


Product Details and Certifications

Cross Reference RA Part Number: 1492-JG4Q A

Product: **1492-JG4Q**

Description: 1492-J IEC Terminal Block, One-Circuit Feed-Through Ground Block, 4 mm (# 30 AWG - # 10 AWG), 2 Connection points on each side, Green / Yellow Stripe (Standard)



Representative Photo Only (actual product may vary based on configuration sections)

ACCESSORY SELECTION

Bulletin Number	1492 Terminal Block Accessories
Base Block Style	Grounding Blocks

BASE DATA

Base Block Type	One-Circuit Feed-Through Ground Block
-----------------	---------------------------------------

DETAIL DATA

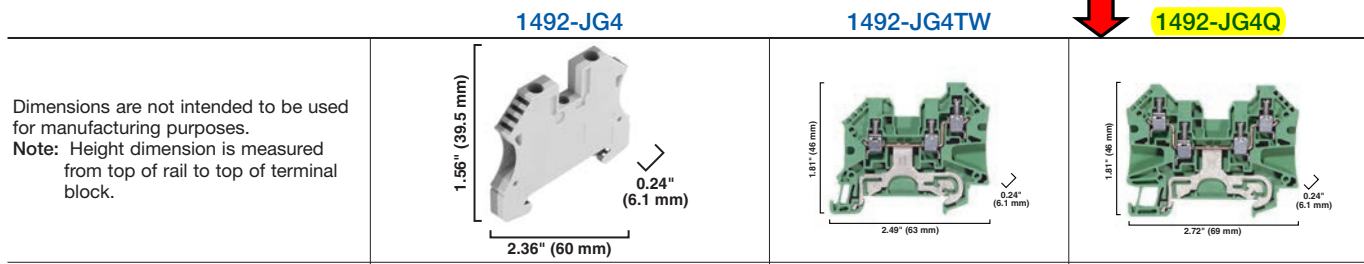
Features	2 Connection points on each side
Maximum Wire Size & Rating	UL: 30-10 AWG\nCSA: 30-10 AWG\nIEC: 4mm ²
Color	Green / Yellow Stripe (Standard)

CERTIFICATIONS AND APPROVALS

UR	UL 486E, UL 1059; Reference File: E40735
CSA	CSA C22.2 No. 65, No. 158; On Website, Name: Rockwell, Keyword Search: 1492
IEC	EN 60947-1, EN 60947-7-1(Feed-Through), -2(Ground), -3(Fuse)
Short Circuit Current Rating	This terminal block carries a minimum of 10kA SCCR rating for all protection methods. Please see the table for other possible elevated ratings.
For CSA Certifications:	http://directories.csa-international.org/directorymain.asp
For UL Certifications Directory:	http://database.ul.com/cgi-bin/XYV/template/LISEXT/1FRAME/index.htm

Screw Connection Terminal Blocks

Grounding Blocks



Specifications	Feed-through grounding terminal block				Single-level grounding terminal block with 3 connection points, 2 on one side			Single-level grounding terminal block with two connection points on each side		
Certifications		CSA	IEC	ATEX		CSA	IEC		CSA	IEC
Voltage Rating	—				—			—		
Maximum Current	Grounding				Grounding			Grounding		
Wire Range (Rated Cross Section)	#22...10 AWG		4 mm ²	4 mm ² (#20...12 AWG)	#30...10 AWG		0.5...4 mm ²	#30...10 AWG		0.5...4 mm ²
Wire Strip Length	0.39 in. (10 mm)				0.394 in. (10 mm)			0.394 in. (10 mm)		
Recommended Tightening Torque	9 lb•in (1.0 N•m)				6.2 lb•in (0.7 N•m)			6.2 lb•in (0.7 N•m)		
Mounting Torque - Center Screw	4.4...7.1 lb•in (0.5...0.8 N•m)				—			—		
Density	49 pcs/ft (163 pcs/m)				49 pcs/ft (163 pcs/m)			49 pcs/ft (163 pcs/m)		
Housing Temperature Range	-58...+248 °F (-50...+120 °C)				-58...+248 °F (-50...+120 °C)			-58...+248 °F (-50...+120 °C)		
Short-Circuit Current Rating	See page 12-42									

Terminal Blocks	Cat. No.	Pkg Qty.	Cat. No.	Pkg Qty.	Cat. No.	Pkg Qty.	
Color:	Green/Yellow	1492-JG4	100	1492-JG4TW	50	1492-JG4Q	50
Accessories	Cat. No.	Pkg Qty.	Cat. No.	Pkg Qty.	Cat. No.	Pkg Qty.	
Mounting Rails:							
1 m Symmetrical DIN (Steel)	199-DR1	10	199-DR1	10	199-DR1	10	
1 m Symmetrical DIN (Aluminum)	1492-DR5	10	1492-DR5	10	1492-DR5	10	
1 m Hi-Rise Sym. DIN (Aluminum)	1492-DR6	2	1492-DR6	2	1492-DR6	2	
1 m Angled Hi-Rise Sym. DIN (Steel)	1492-DR7	2	1492-DR7	2	1492-DR7	2	
End Barrier Yellow	Not Required	—	1492-EBJ4TW-Y	50	1492-EBJ4Q-Y	50	
End Anchors:							
Screwless End Retainer	1492-ERL35	20	1492-ERL35	20	1492-ERL35	20	
DIN Rail - Normal Duty	1492-EAJ35	100	1492-EAJ35	100	1492-EAJ35	100	
DIN Rail - Heavy Duty	1492-EAHJ35	50	1492-EAHJ35	50	1492-EAHJ35	50	
Marking Systems:							
Snap-in marker cards	1492-M6X12 (120/card)	5	1492-MR6X12 (120/card)	5	1492-MR6X12 (120/card)	5	
Snap-in marker cards	1492-M6X5 (200/card)	5	1492-M6X12 (120/card)	5	1492-M6X12 (120/card)	5	