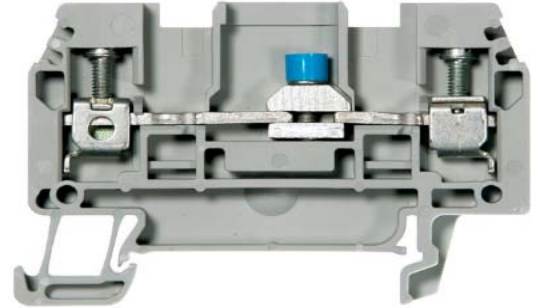


Product Details and Certifications

Cross Reference RA Part Number: 1492-JSD4 A

 **Product: 1492-JSD4**

Description: 1492-J IEC Terminal Block, One-Circuit Feed-Through Block, 4 mm (# 26 AWG - # 10 AWG), Sliding Disconnect, Gray (Standard)



Representative Photo Only (actual product may vary based on configuration sections)

BLOCK STYLE

Bulletin Number	1492 Terminal Block Accessories
Base Block Style	Specialty Feed-Through Blocks

BASE DATA

Base Block Type	One-Circuit Feed-Through Block
-----------------	--------------------------------

DETAIL DATA

Features	Sliding Disconnect
Maximum Wire Size & Rating	UL: 26-10 AWG (28A @300V AC/DC)\nCSA: 26-10 AWG (28A @300V AC/DC)\nIEC:4.0mm ² (32A @500V AC/DC)
Color	Gray (Standard)

CERTIFICATIONS AND APPROVALS

UL
CSA
IEC