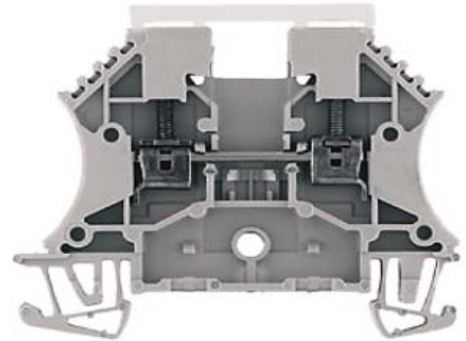


Product Details and Certifications

Cross Reference RA Part Number: 1492-JTC3J A

 **Product: 1492-JTC3J**

Description: 1492-J IEC Terminal Block, Two-Circuit Thermocouple Block, 2.5 mm
(# 24 AWG - # 12 AWG), Type J / 1 Iron, 1 Constantan, Gray (Standard)



Representative Photo Only (actual product may vary based on configuration sections)

BLOCK STYLE

Bulletin Number	1492 Terminal Block Accessories
Base Block Style	Thermocouple Blocks

BASE DATA

Base Block Type	Two-Circuit Thermocouple Block
-----------------	--------------------------------

DETAIL DATA

Features	Type J / 1 Iron, 1 Constantan
Maximum Wire Size & Rating	IEC: 30-12 AWG 2.5mm ²
Color	Gray (Standard)

CERTIFICATIONS AND APPROVALS

IEC	EN 60947-1, EN 60947-7-1(Feed-Through), -2(Ground), -3(Fuse)
ATEX	http://www.rockwellautomation.com/products/certification/ex/excert.html
For UL Certifications Directory:	http://database.ul.com/cgi-bin/XYV/template/LISEXT/1FRAME/index.htm

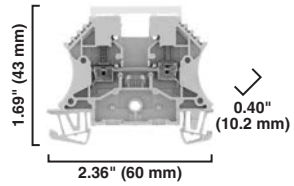
Screw Connection Terminal Blocks

Thermocouple Blocks



1492-JTC3...

Dimensions are not intended to be used for manufacturing purposes.
Note: Height dimension is measured from top of rail to top of terminal block.



Specifications	<i>Two circuit terminal block with current bars made of thermocouple material</i>	
Certifications	IEC	ATEX
Voltage Rating	—	55V AC/DC
Wire Range (Rated Cross Section)	#30...12 AWG 2.5 mm ²	#20...14 AWG 2.5 mm ²
Wire Strip Length	0.39 in. (10 mm)	
Recommended Tightening Torque	3.5...5.3 lb•in (0.4...0.6 N•m)	
Density	29 pcs/ft (98 pcs/m)	
Housing Temperature Range	-58...+248 °F (-50...+120 °C)	
Short-Circuit Current Rating	See page 12-42	

Terminal Blocks	Cat. No.	Pkg Qty.
Color/Type/Material Gray/Type B/1 S-Copper, 1 E-Copper	1492-JTC3B	50
Gray/Type E/1 Chromel, 1 Constantan	1492-JTC3E	50
Gray/Type J/1 Iron, 1 Constantan	1492-JTC3J	50
Gray/Type K/1 Chromel, 1 Alumel	1492-JTC3K	50
Gray/Type N/1 Ni-Cr-Si, 1 Ni-Si-Mg	1492-JTC3N	50
Gray/Type S/1 E-Copper, 1 A-Copper	1492-JTC3S	50
Gray/Type T/1 E-Copper, 1 Constantan	1492-JTC3T	50

Accessories	Cat. No.	Pkg Qty.
Mounting Rails: 1 m Symmetrical DIN (Steel)	199-DR1	10
1 m Symmetrical DIN (Aluminum)	1492-DR5	10
1 m Hi-Rise Sym. DIN (Aluminum)	1492-DR6	2
1 m Angled Hi-Rise Sym. DIN (Steel)	1492-DR7	2
End Barrier	1492-EBJ3	50
End Anchors and Retainers: Screwless End Retainer	1492-ERL35	20
DIN Rail — Normal Duty	1492-EAJ35	100
DIN Rail — Heavy Duty	1492-EAHJ35	50
Other Accessories: Partition Plate	1492-EBJ16	20
Marking Systems: Snap-in marker cards	1492-M5X12 (144/card)	5
Individual Marker Tabs (Single Char.)	1492-M5X5 (200/card)	5