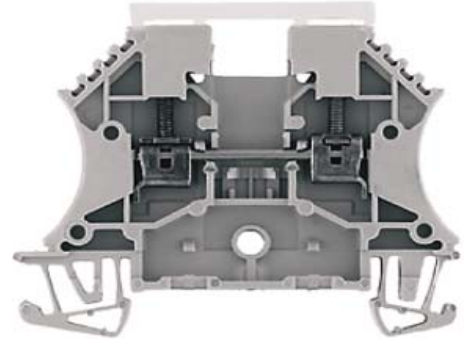


# Product Details and Certifications

## Cross Reference RA Part Number: 1492-JTC3K A

 **Product: 1492-JTC3K**

Description: 1492-J IEC Terminal Block, Two-Circuit Thermocouple Block, 2.5 mm (# 24 AWG - # 12 AWG), Type K / 1 Cromel, 1 Alumel, Gray (Standard)



Representative Photo Only (actual product may vary based on configuration sections)

### ***BLOCK STYLE***

---

Bulletin Number	1492 Terminal Block Accessories
Base Block Style	Thermocouple Blocks

### ***BASE DATA***

---

Base Block Type	Two-Circuit Thermocouple Block
-----------------	--------------------------------

### ***DETAIL DATA***

---

Features	Type K / 1 Cromel, 1 Alumel
Maximum Wire Size & Rating	IEC: 30-12 AWG 2.5mm <sup>2</sup>
Color	Gray (Standard)

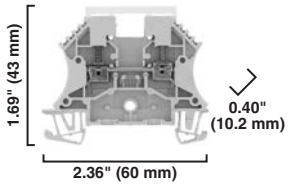
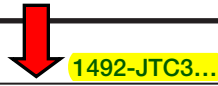
### ***CERTIFICATIONS AND APPROVALS***

---

IEC	EN 60947-1, EN 60947-7-1(Feed-Through), -2(Ground), -3(Fuse)
ATEX	<a href="http://www.rockwellautomation.com/products/certification/ex/excert.html">http://www.rockwellautomation.com/products/certification/ex/excert.html</a>
For UL Certifications Directory:	<a href="http://database.ul.com/cgi-bin/XYV/template/LISEXT/1FRAME/index.htm">http://database.ul.com/cgi-bin/XYV/template/LISEXT/1FRAME/index.htm</a>

# Screw Connection Terminal Blocks

## Thermocouple Blocks



Dimensions are not intended to be used for manufacturing purposes.  
**Note:** Height dimension is measured from top of rail to top of terminal block.

<b>Specifications</b>	<i>Two circuit terminal block with current bars made of thermocouple material</i>	
Certifications	<b>IEC</b>	<b>ATEX</b>
Voltage Rating	—	55V AC/DC
Wire Range (Rated Cross Section)	#30...12 AWG 2.5 mm <sup>2</sup>	#20...14 AWG 2.5 mm <sup>2</sup>
Wire Strip Length	0.39 in. (10 mm)	
Recommended Tightening Torque	3.5...5.3 lb•in (0.4...0.6 N•m)	
Density	29 pcs/ft (98 pcs/m)	
Housing Temperature Range	-58...+248 °F (-50...+120 °C)	
Short-Circuit Current Rating	See page 12-42	

<b>Terminal Blocks</b>	<b>Cat. No.</b>	<b>Pkg Qty.</b>
Color/Type/Material Gray/Type B/1 S-Copper, 1 E-Copper	<b>1492-JTC3B</b>	50
Gray/Type E/1 Chromel, 1 Constantan	<b>1492-JTC3E</b>	50
Gray/Type J/1 Iron, 1 Constantan	<b>1492-JTC3J</b>	50
Gray/Type K/1 Chromel, 1 Alumel	<b>1492-JTC3K</b>	50
Gray/Type N/1 Ni-Cr-Si, 1 Ni-Si-Mg	<b>1492-JTC3N</b>	50
Gray/Type S/1 E-Copper, 1 A-Copper	<b>1492-JTC3S</b>	50
Gray/Type T/1 E-Copper, 1 Constantan	<b>1492-JTC3T</b>	50

<b>Accessories</b>	<b>Cat. No.</b>	<b>Pkg Qty.</b>
Mounting Rails:		
1 m Symmetrical DIN (Steel)	<b>199-DR1</b>	10
1 m Symmetrical DIN (Aluminum)	<b>1492-DR5</b>	10
1 m Hi-Rise Sym. DIN (Aluminum)	<b>1492-DR6</b>	2
1 m Angled Hi-Rise Sym. DIN (Steel)	<b>1492-DR7</b>	2
End Barrier	<b>1492-EBJ3</b>	50
End Anchors and Retainers:		
Screwless End Retainer	<b>1492-ERL35</b>	20
DIN Rail — Normal Duty	<b>1492-EAJ35</b>	100
DIN Rail — Heavy Duty	<b>1492-EAHJ35</b>	50
Other Accessories:		
Partition Plate	<b>1492-EBJ16</b>	20
Marking Systems:		
Snap-in marker cards	<b>1492-M5X12</b> (144/card)	5
Individual Marker Tabs (Single Char.)	<b>1492-M5X5</b> (200/card)	5