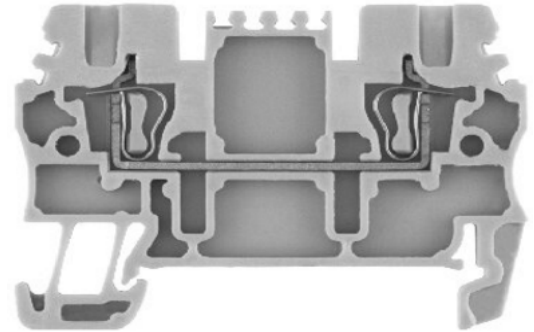


Product Details and Certifications

Cross Reference RA Part Number: 1492-L2 A

 **Product: 1492-L2**

Description: 1492-L Spring Clamp Terminal Block, One-Circuit Feed-Through Block, 1.5mm²
(# 26 AWG - # 14 AWG), Standard Feedthrough, Gray (Standard)



Representative Photo Only (actual product may vary based on configuration sections)

BLOCK STYLE

Bulletin Number	1492 Terminal Block Accessories
Base Block Style	Standard Feed-Through Blocks

BASE DATA

Base Block Type	One-Circuit Feed-Through Block
-----------------	--------------------------------

DETAIL DATA

Features	Standard Feedthrough
Maximum Wire Size & Rating	UL: 26-14 AWG (15A @300V AC/DC)\nCSA: 26-14 AWG (20A @300V AC/DC)\nIEC: 1.5mm ² (17.5A @500V AC/DC)\nEEx e II: 1.5mm ² (15A @550V AC/DC)
Color	Gray (Standard)

CERTIFICATIONS AND APPROVALS

UR	UL 486E, UL 1059; Reference File: E40735, E187022
CSA	CSA C22.2 No. 65, No. 158; On Website, Name: Rockwell, Keyword Search: 1492
IEC	EN 60947-1, EN 60947-7-1(Feed-Through), -2(Ground), -3(Fuse)
ATEX	http://www.rockwellautomation.com/products/certification/ex/excert.html
Short Circuit Current Rating	This terminal block carries a minimum of 10kA SCCR rating for all protection methods. Please see the table for other possible elevated ratings.
For CSA Certifications:	http://directories.csa-international.org/directorymain.asp
For UL Certifications Directory:	http://database.ul.com/cgi-bin/XYV/template/LISEXT/1FRAME/index.htm

Spring-Clamp Connection Terminal Blocks

Standard Feed-Through Blocks

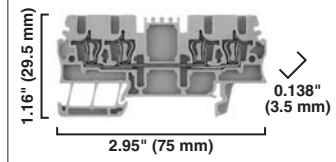
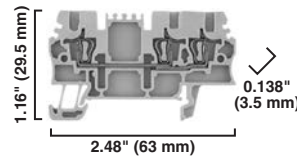
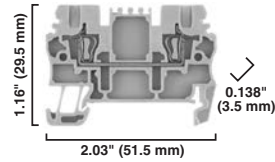


1492-L2

1492-L2T

1492-L2Q

Dimensions are not intended to be used for manufacturing purposes.
Note: Height dimension is measured from top of rail to top of terminal block.



Specifications

Certifications	Feed-through terminal block				Feed-through terminal block with 2 connection points on one side				Feed-through terminal block with 2 connection points per side			
		CSA	IEC	ATEX		CSA	IEC	ATEX		CSA	IEC	ATEX
Voltage Rating	300V AC/DC		500V AC/DC	550V AC/DC	300V AC/DC		500V AC/DC	550V AC/DC	300V AC/DC		500V AC/DC	550V AC/DC
Maximum Current	15 A	20 A	17.5 A	15 A	15 A	20 A	17.5 A	15 A	15 A	20 A	17.5 A	15 A
Wire Range (Rated Cross Section)	#26...14 AWG		1.5 mm ²	1.5 mm ²	#26...14 AWG		1.5 mm ²	1.5 mm ²	#26...14 AWG		1.5 mm ²	1.5 mm ²
Wire Strip Length	0.39 in. (10 mm)				0.39 in. (10 mm)				0.39 in. (10 mm)			
Density	87 pcs/ft (285 pcs/m)				87 pcs/ft (285 pcs/m)				87 pcs/ft (285 pcs/m)			
Housing Temperature Range	-58...+248 °F (-50...+120 °C)				-58...+248 °F (-50...+120 °C)				-58...+248 °F (-50...+120 °C)			

Terminal Blocks

Color	Cat. No.	Pkg Qty.	Cat. No.	Pkg Qty.	Cat. No.	Pkg Qty.
Grey	1492-L2	50	1492-L2T	50	1492-L2Q	50
Red	1492-L2-RE	50	1492-L2T-RE	50	1492-L2Q-RE	50
Blue	1492-L2-B	50	1492-L2T-B	50	1492-L2Q-B	50
Black	1492-L2-BL	50	1492-L2T-BL	50	1492-L2Q-BL	50
Green	1492-L2-G	50	1492-L2T-G	50	1492-L2Q-G	50
Yellow	1492-L2-Y	50	1492-L2T-Y	50	1492-L2Q-Y	50
Orange	1492-L2-OR	50	1492-L2T-OR	50	1492-L2Q-OR	50
Brown	1492-L2-BR	50	1492-L2T-BR	50	1492-L2Q-BR	50
White	1492-L2-W	50	1492-L2T-W	50	1492-L2Q-W	50

Accessories

	Cat. No.	Pkg Qty.	Cat. No.	Pkg Qty.	Cat. No.	Pkg Qty.
Mounting Rails						
1 m Symmetrical DIN (Steel)	199-DR1	10	199-DR1	10	199-DR1	10
1 m Symmetrical DIN (Aluminum)	1492-DR5	10	1492-DR5	10	1492-DR5	10
1 m Hi-Rise Sym. DIN (Aluminum)	1492-DR6	2	1492-DR6	2	1492-DR6	2
1 m Angled Hi-Rise Sym. DIN (Steel)	1492-DR7	2	1492-DR7	2	1492-DR7	2
End Barriers						
Grey	1492-EBL2	50	1492-EBL2T	50	1492-EBL2Q	50
Blue	1492-EBL2-B	50	1492-EBL2T-B	50	1492-EBL2Q-B	50
Yellow	1492-EBL2-Y	50	1492-EBL2T-Y	50	1492-EBL2Q-Y	50
End Anchors and Retainers						
Screwless End Retainer	1492-ERL35	20	1492-ERL35	20	1492-ERL35	20
DIN Rail — Normal Duty	1492-EAJ35	100	1492-EAJ35	100	1492-EAJ35	100
DIN Rail — Heavy Duty	1492-EAHJ35	50	1492-EAHJ35	50	1492-EAHJ35	50
Jumpers						
Plug-in Center Jumper — 10-Pole	1492-CJL4-10	20	1492-CJL4-10	20	1492-CJL4-10	20
Plug-in Center Jumper — 5-Pole	1492-CJL4-5	60	1492-CJL4-5	60	1492-CJL4-5	60
Plug-in Center Jumper — 4-Pole	1492-CJL4-4	60	1492-CJL4-4	60	1492-CJL4-4	60
Plug-in Center Jumper — 3-Pole	1492-CJL4-3	60	1492-CJL4-3	60	1492-CJL4-3	60
Plug-in Center Jumper — 2-Pole	1492-CJL4-2	60	1492-CJL4-2	60	1492-CJL4-2	60
Other Accessories						
Reducing Sleeves #28...#24 AWG (0.13...0.2 mm ²) White	1492-PSL2-2	100	1492-PSL2-2	100	1492-PSL2-2	100
Reducing Sleeves #22...#20 AWG (0.25...0.5 mm ²) Grey	1492-PSL2-5	100	1492-PSL2-5	100	1492-PSL2-5	100
Test Plug (Stackable)	1492-TPL4	25	1492-TPL4	25	1492-TPL4	25
Electrical Warning Plate	1492-EWPL4	20	1492-EWPL4	20	1492-EWPL4	20
Marking Systems						
Snap-In Marker Cards	1492-M3X12 (120/card)	5	1492-M3X12 (120/card)	5	1492-M3X12 (120/card)	5
Snap-In Marker Cards	1492-M3X5 (100/card)	5	1492-M3X5 (100/card)	5	1492-M3X5 (100/card)	5

