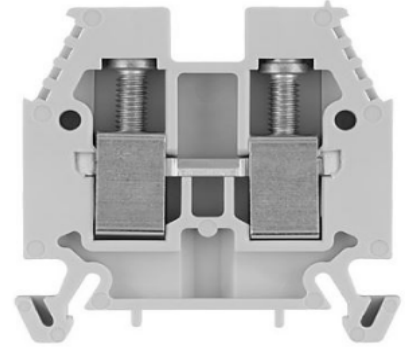


Product Details and Certifications

Cross Reference RA Part Number: 1492-W10 C

 **Product: 1492-W10**

Description: 1492-W IEC Terminal Block, Space-Saver Feed-Through Blocks, 10 mm (# 22 AWG - # 8 AWG), Single-circuit terminal block, Gray (Standard)



Representative Photo Only (actual product may vary based on configuration sections)

ACCESSORY SELECTION

Bulletin Number	1492 Terminal Block Accessories
Base Block Style	Standard Feed-Through Blocks

BASE DATA

Base Block Type	Space-Saver Feed-Through Blocks
-----------------	---------------------------------

DETAIL DATA

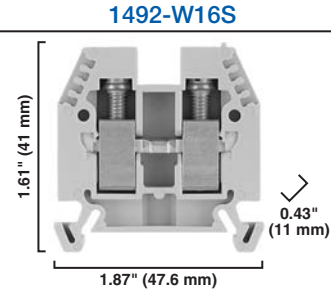
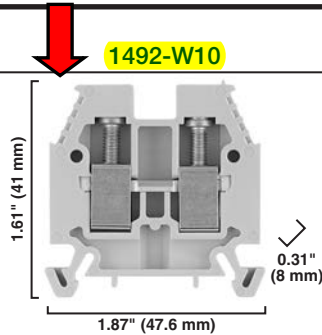
Features	Single-circuit terminal block
Maximum Wire Size & Rating	UL: 22-8 AWG (50A @600V AC/DC)\nCSA: 22-8 AWG (50A @600V AC/DC)\nIEC: 10mm ² (57A @800V AC/DC)\nEEx e II: 10mm ² (50A @ 550V AC/DC)
Color	Gray (Standard)

CERTIFICATIONS AND APPROVALS

UR	UL 486E, UL 1059; Reference File: E40735, E187022
CSA	CSA C22.2 No. 65, No. 158; On Website, Name: Rockwell, Keyword Search: 1492
IEC	EN 60947-1, EN 60947-7-1(Feed-Through), -2(Ground), -3(Fuse)
ATEX	http://www.rockwellautomation.com/products/certification/ex/excert.html
Short Circuit Current Rating	This terminal block carries a minimum of 10kA SCCR rating for all protection method: Please see the table for other possible elevated ratings.
For CSA Certifications:	http://directories.csa-international.org/directorymain.asp
For UL Certifications Directory:	http://database.ul.com/cgi-bin/XYV/template/LISEXT/1FRAME/index.htm

Screw Connection Terminal Blocks

Space-Saver Feed-Through Blocks



Dimensions are not intended to be used for manufacturing purposes.
Note: Height dimension is measured from top of rail to top of terminal block.

Specifications

	Single-circuit terminal block.				Single-circuit terminal block.			
Certifications		IEC	CSA	ATEX		IEC	CSA	ATEX
Voltage Rating	600V AC/DC	800V AC/DC	600V AC/DC	550V AC/DC	600V AC/DC	800V AC/DC	600V AC/DC	550V AC/DC
Maximum Current	50 A	57 A	50 A	50 A	85 A	76 A	85 A	76 A
Wire Range (Rated Cross Section)	#22...8 AWG	10 mm ²	#22...8 AWG	0.5...10 mm ²	#14...4 AWG	16 mm ²	#14...4 AWG	2.5...16 mm ²
Wire Strip Length	0.51 in. (13 mm)				0.51 in. (13 mm)			
Recommended Tightening Torque	12.2...13.4 lb•in (1.4 N•m)				18...20 lb•in (2.1 N•m)			
Density	38 pcs/ft (125 pcs/m)				27 pcs/ft (90 pcs/m)			
Housing Temperature Range	-40...+195 °F (-40...+90 °C)				-40...+195 °F (-40...+90 °C)			

Terminal Blocks

Color:	Cat. No.	Pkg Qty.	Cat. No.	Pkg Qty.
Grey	1492-W10	50	1492-W16S	50
Red	1492-W10-RE	50	1492-W16S-RE	50
Blue	1492-W10-B	50	1492-W16S-B	50
Black	1492-W10-BL	50	1492-W16S-BL	50
Green	1492-W10-G	50	1492-W16S-G	50
Yellow	1492-W10-Y	50	1492-W16S-Y	50
Orange	1492-W10-OR	50	1492-W16S-OR	50
Brown	1492-W10-BR	50	1492-W16S-BR	50
White	1492-W10-W	50	1492-W16S-W	50

Accessories

	Cat. No.	Pkg Qty.	Cat. No.	Pkg Qty.
Mounting Rails:				
1 m Symmetrical DIN (Steel)	199-DR1	10	199-DR1	10
1 m Symmetrical DIN (Aluminum)	1492-DR5	10	1492-DR5	10
1 m Hi-Rise Sym. DIN (Aluminum)	1492-DR6	2	1492-DR6	2
1 m Angled Hi-Rise Sym. DIN (Steel)	1492-DR7	2	1492-DR7	2
End Barrier	1492-EB10	50	1492-EB10	50
End Anchors:				
DIN Rail — Normal Duty	1492-EAJ35	100	1492-EAJ35	100
DIN Rail — Heavy Duty	1492-EAHJ35	50	1492-EAHJ35	50
Jumpers:				
Side Jumper — 10-pole insulated	1492-SJ8-10	10	—	—
Center Jumper — 40-pole	1492-CJ8-40	5	—	—
Center Jumper — 10-pole	1492-CJ8-10	10	1492-CJS11-10	10
Center Jumper — 5-pole	1492-CJ8-5	10	1492-CJS11-5	10
Center Jumper — 4-pole	1492-CJ8-4	10	1492-CJS11-4	10
Center Jumper — 3-pole	1492-CJ8-3	10	1492-CJS11-3	10
Center Jumper — 2-pole	1492-CJ8-2	10	1492-CJS11-2	10
Center Jumper Link	1492-CJL8	10	—	—
Center Jumper Cover — White	1492-CJCW6	20	—	—
Other Accessories:				
Partition Plate	1492-PP10	50	1492-PP10	50
Test Plug	1492-TP28	10	—	—
Test Plug Adapter	1492-TA40	10	1492-TA40L	10
Electrical Warning Plate (1-pole)	1492-EWP8	10	1492-EWP11	10
Electrical Warning Plate (4-pole)	1492-EWP8-4	10	1492-EWP11-4	10
Marking Systems:				
Snap-in Marker Card	1492-MS8X12 (56/card)	5	1492-MS6X12 (80/card)	5