

# Product Details and Certifications

## Cross Reference RA Part Number: 1492-W4TW-RE A

### Product: 1492-W4TW-RE

Description: 1492-W IEC Terminal Block, One-Circuit Feed-Through Block, 4 mm (# 22 AWG - # 10 AWG) or 2.5 mm (# 22 AWG - # 12 AWG), 3 Connection points, 2 on one side, Red



Representative Photo Only (actual product may vary based on configuration sections)

### ACCESSORY SELECTION

Bulletin Number	1492 Terminal Block Accessories
Base Block Style	Specialty Feed-Through Blocks

### BASE DATA

Base Block Type	One-Circuit Feed-Through Block
-----------------	--------------------------------

### DETAIL DATA

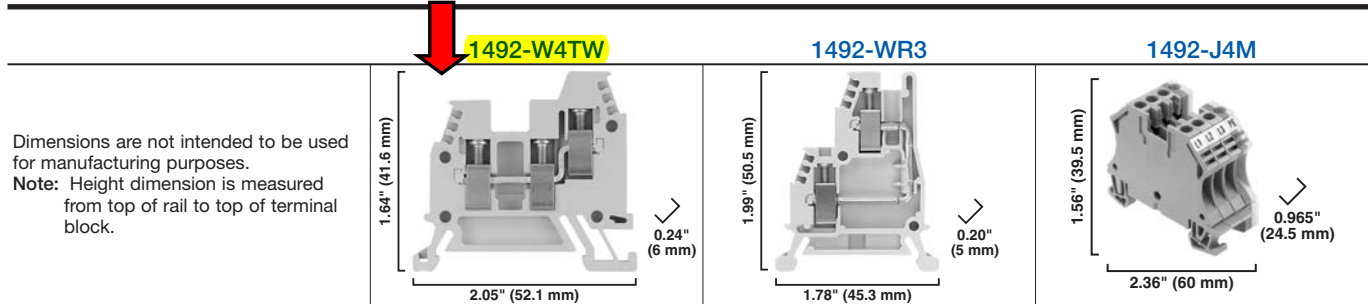
Features	3 Connection points, 2 on one side
Maximum Wire Size & Rating	UL: 18-10 AWG (30A @600V AC/DC)\nCSA: 22-12 AWG (20A @600V AC/DC)\nIEC: 4mm <sup>2</sup> (32A @800V AC/DC)
Color	Red

### CERTIFICATIONS AND APPROVALS

UR	UL 486E, UL 1059; Reference File: E40735, E187022
CSA	CSA C22.2 No. 65, No. 158; On Website, Name: Rockwell, Keyword Search: 1492
IEC	EN 60947-1, EN 60947-7-1(Feed-Through), -2(Ground), -3(Fuse)
ATEX	<a href="http://www.rockwellautomation.com/products/certification/ex/excert.html">http://www.rockwellautomation.com/products/certification/ex/excert.html</a>
Short Circuit Current Rating	This terminal block carries a minimum of 10kA SCCR rating for all protection method: Please see the table for other possible elevated ratings.
For CSA Certifications:	<a href="http://directories.csa-international.org/directorymain.asp">http://directories.csa-international.org/directorymain.asp</a>
For UL Certifications Directory:	<a href="http://database.ul.com/cgi-bin/XYV/template/LISEXT/1FRAME/index.htm">http://database.ul.com/cgi-bin/XYV/template/LISEXT/1FRAME/index.htm</a>

# Screw Connection Terminal Blocks

## Specialty Feed-Through Blocks



Dimensions are not intended to be used for manufacturing purposes.  
 Note: Height dimension is measured from top of rail to top of terminal block.

Specifications	1492-W4TW			1492-WR3			1492-J4M		
Feed-through terminal block with 3 connection points, 2 on one side				Single-circuit terminal block with terminals on common side.			Motor connection terminal block cluster with 3 feeds and ground		
Certifications	<b>UL</b>	<b>CSA</b>	<b>IEC</b>	<b>UL</b>	<b>CSA</b>	<b>IEC</b>	Certifications on individual blocks (1492-J4, JG4)		
Voltage Rating	600V AC/DC	600V AC/DC	800V AC/DC	300V AC/DC		500V AC/DC			
Maximum Current	30 A	20 A	32 A	15 A		15 A			
Wire Range (Rated Cross Section)	#18...10 AWG	#22...12 AWG	0.5...4 mm <sup>2</sup>	#22...14 AWG		0.5...2.5 mm <sup>2</sup>	#22...10 AWG 4 mm <sup>2</sup>		
Wire Strip Length	0.35 in. (9 mm)			0.39 in. (10 mm)			0.39 in. (10 mm)		
Recommended Tightening Torque	5.0...5.6 lb•in (0.6 N•m)			5.0...5.6 lb•in (0.6 N•m)			9.0 lb•in (1.0 N•m)		
Density	50 pcs/ft (166 pcs/m)			61 pcs/ft (200 pcs/m)			12 pcs/ft (40 pcs/m)		
Housing Temperature Range	-40...+195 °F (-40...+90 °C)			-40...+195 °F (-40...+90 °C)			-58...+248 °F (-50...+120 °C)		
Short-Circuit Current Rating	See page 12-42								

Terminal Blocks	Cat. No.	Pkg Qty.	Cat. No.	Pkg Qty.	Cat. No.	Pkg Qty.
Color:	Grey	<b>1492-W4TW</b>	50	<b>1492-WR3</b>	50	—
	Grey/Green/Yellow	—	—	—	<b>1492-J4M</b>	20
	<b>Red</b>	<b>1492-W4TW-RE</b>	50	—	—	—
	Blue	<b>1492-W4TW-B</b>	50	—	—	—
	Black	<b>1492-W4TW-BL</b>	50	—	—	—
	Green	1492-W4TW-G	50	—	—	—
	Yellow	1492-W4TW-Y	50	—	—	—
	Orange	1492-W4TW-OR	50	—	—	—
	Brown	1492-W4TW-BR	50	—	—	—
	White	<b>1492-W4TW-W</b>	50	—	—	—

Accessories	Cat. No.	Pkg Qty.	Cat. No.	Pkg Qty.	Cat. No.	Pkg Qty.
Mounting Rails:						
1 m Symmetrical DIN (Steel)	<b>199-DR1</b>	10	<b>199-DR1</b>	10	<b>199-DR1</b>	10
1 m Symmetrical DIN (Aluminum)	<b>1492-DR5</b>	10	<b>1492-DR5</b>	10	<b>1492-DR5</b>	10
1 m Hi-Rise Sym. DIN (Aluminum)	<b>1492-DR6</b>	2	<b>1492-DR6</b>	2	<b>1492-DR6</b>	2
1 m Angled Hi-Rise Sym. DIN (Steel)	<b>1492-DR7</b>	2	<b>1492-DR7</b>	2	<b>1492-DR7</b>	2
End Barriers	Grey <b>1492-EB3TW</b>	50	<b>1492-EBR3</b>	50	Not Required	—
End Anchors and Retainers:						
Screwless End Retainer	<b>1492-ERL35</b>	20	<b>1492-ERL35</b>	20	<b>1492-ERL35</b>	20
DIN Rail — Normal Duty	<b>1492-EAJ35</b>	100	<b>1492-EAJ35</b>	100	<b>1492-EAJ35</b>	100
DIN Rail — Heavy Duty	<b>1492-EAHJ35</b>	50	<b>1492-EAHJ35</b>	50	<b>1492-EAHJ35</b>	50
Jumpers:						
Side Jumper — 10-pole insulated	<b>1492-SJ6-10*</b>	10	<b>1492-SJ5-10</b>	10	—	—
Screw Center Jumper — 50-pole	<b>1492-CJ6-50</b>	5	<b>1492-CJD5-50</b>	5	—	—
Screw Center Jumper — 10-pole	<b>1492-CJ6-10</b>	10	<b>1492-CJD5-10</b>	10	<b>1492-CJJ6-10</b>	20
Screw Center Jumper — 5-pole	<b>1492-CJ6-5</b>	10	1492-CJD5-5	10	—	—
Screw Center Jumper — 4-pole	<b>1492-CJ6-4</b>	10	1492-CJD5-4	10	<b>1492-CJJ6-4</b>	50
Screw Center Jumper — 3-pole	<b>1492-CJ6-3</b>	10	<b>1492-CJD5-3</b>	10	<b>1492-CJJ6-3</b>	50
Screw Center Jumper — 2-pole	<b>1492-CJ6-2</b>	10	<b>1492-CJD5-2</b>	10	<b>1492-CJJ6-2</b>	50
Center Jumper Cover — White ‡	<b>1492-CJCW6</b>	20	<b>1492-CJCW5</b>	20	—	—
Center Jumper Link	<b>1492-CJL6</b>	10	<b>1492-CJL5</b>	10	—	—
Screw Type Jumper Notching Tool	—	—	—	—	<b>1492-T1</b>	1
Other Accessories:						
Partition Plate	<b>1492-PP10</b>	50	<b>1492-EBR3</b>	50	<b>1492-EBJ16</b>	20
End Cover*	1492-EC3TW	10	—	—	—	—
Test Plug Socket	—	—	—	—	<b>1492-TPS23L</b>	50
Test Plug	<b>1492-TP28</b>	10	—	—	<b>1492-TP23</b>	20
Test Adapter	<b>1492-TA40</b>	10	<b>1492-TA285</b>	10	<b>1492-TPJ6</b>	25
Electrical Warning Plate	—	—	—	—	<b>1492-EWPJ5</b>	50
Marking Systems:						
Snap-in marker cards	<b>1492-MS6X9</b> (80/card)	5	<b>1492-MS5X9</b> (80/card)	5	<b>1492-M6X12</b> (120/card)	5

\* Use side jumpers on the single conductor side only.  
 \* Provides IP2X Finger Safety when a W4 is mounted on open side of Cat. No. 1492-W4TW.  
 ‡ May only be used as a marking surface. Cannot be installed over a center jumper.