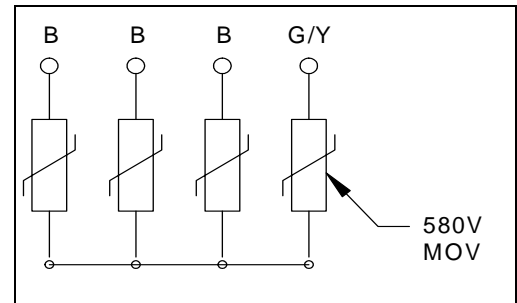
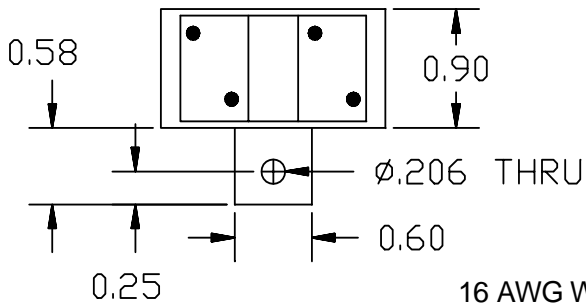


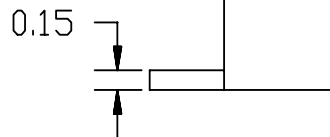
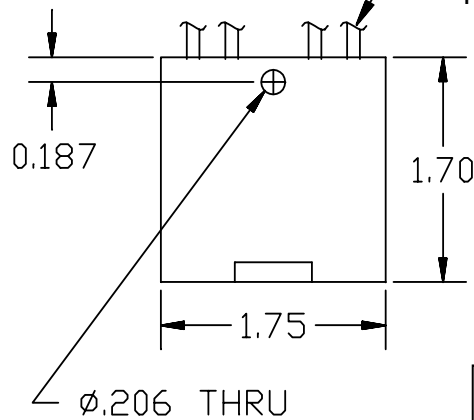
## CS9107A Series POTTED MOV MODULE



ELECTRICAL RATINGS	CS9107A3	CS9107A6	CS9107A7	UNIT
Recommended Line Voltage	347/600	277/480	277/480	VOLT
Maximum Continuous Rating, AC, L - L	640	540	540	VOLT
Maximum Continuous Rating, AC, L - G	900	850	850	VOLT
Maximum Energy, Single Pulse, L - L, 10 x 1000 $\mu$ SEC	770	650	650	JOULE
Peak Current, Single Pulse, 8x20 $\mu$ SEC	6500	6500	6500	AMP
Varistor Voltage @ 1 mA, L - L	906 - 1122	764 - 946	764 - 946	VOLT
Varistor Voltage @ 1 mA, L - G	1258 - 1563	1187 - 1475	1187 - 1475	VOLT
Max. Clamping Voltage, L - L, 100A Pulse, 8x20 $\mu$ SEC	1700	1420	1420	VOLT
Max. Clamping Voltage, L - G, 100A Pulse, 8x20 $\mu$ SEC	2350	2210	2210	VOLT
Black Wire Lengths (Line)	14"	14"	14" with 1/4" Ring Terminal	
Green/Yellow Wire Lengths (Ground)	14"	14"	5" with 5/16" Ring Terminal	
Operating / Storage Temperature	-40 to 85	-40 to 85	-40 to 85	$^{\circ}$ C



16 AWG WIRES:  
SEE TABLE FOR  
LENGTHS AND  
TERMINATIONS



TOLERANCES:  
.XX  $\pm$ .050  
.XXX  $\pm$ .005

Rev 0, APR 05