

# Product Details and Certifications

**Product:** 1756-IF6I

**Description:** Isolated Analog Input-Current/Voltage 6 Pts(20Pin)

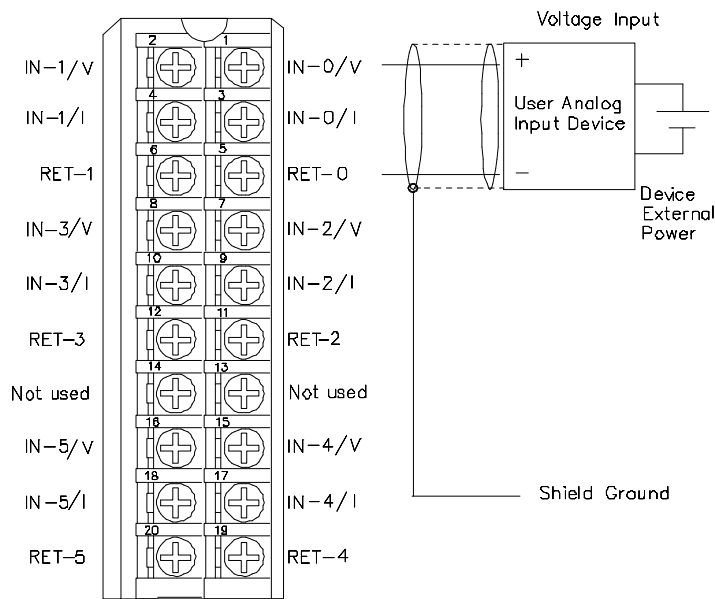
## I/O Modules

### Analog Input Modules

1756-IF6I

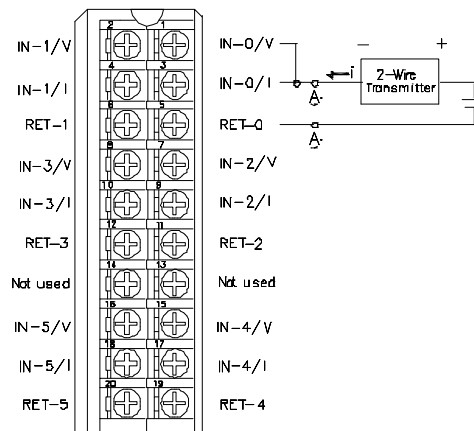
1 Isolated Analog Input-Current/Voltage 6 Pts (20Pin)

## WIRING DIAGRAM, VOLTAGE FOR 1756-IF6I



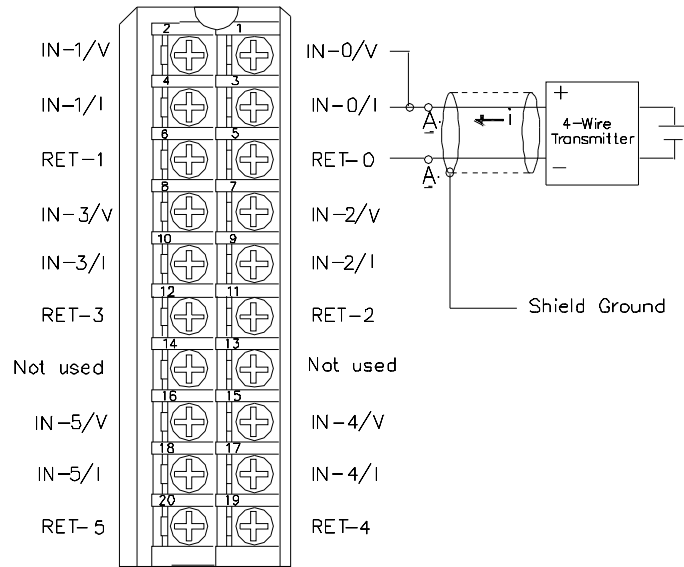
NOTES: Do not connect more than 2 wires to any single terminal.

## WIRING DIAGRAM, 2 WIRE CURRENT FOR 1756-IF6I



NOTES: 1. Place additional loop devices (e.g. chart strip recorders, etc.) at either A location.  
2. If separate power sources are used, do not exceed the specified isolation voltage.

# WIRING DIAGRAM, 4 WIRE CURRENT FOR 1756-IF6I



- NOTES: 1. Place additional loop devices (e.g. strip chart recorders, etc.) at either A location.  
 2. Do not connect more than 2 wires to any single terminal.