

Product Details and Certifications

Product: 1756-OA16I

Description: 74-265 VAC Isolated Output 16 Pts (36 Pin)

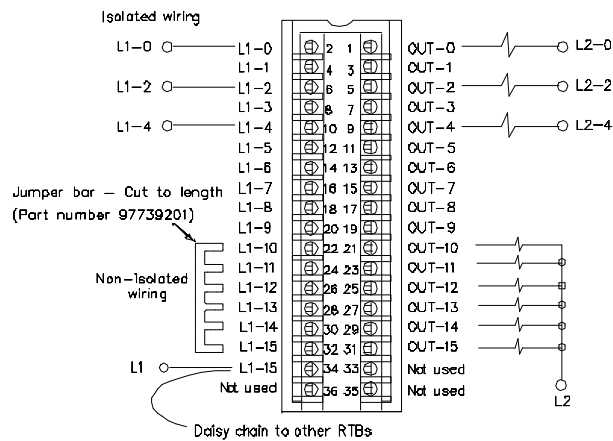
I/O Modules

Digital AC Output Modules

1756-OA16I

1 74-265 VAC Isolated Output 16 Pts (36 Pin)

WIRING DIAGRAM FOR 1756-OA16I



NOTES: 1. All terminals with the same name are connected together on the module. For example, L1 can be connected to either terminal marked L1-15.
 2. When you use the second L1-15 terminal to daisy chain to other RTBs, always connect the daisy chain to the terminal directly connected to the supply wire, as shown in the example above. Do not connect more than 2 wires to any single terminal.