

# Product Details and Certifications

**Cross Reference RA Part Number: PN-171066**

**Product: 1783-US5T**

Description: Stratix 2000 Ethernet , IP20, 5 port unmanaged switch



Representative Photo Only (actual product may vary based on configuration sections)

## **STRATIX DATA**

---

Bulletin Number	1783 Stratix Device
Stratix Ethernet Family	Stratix 2000
Environment	IP20
Ethernet Family	Stratix 2000, 5 port unmanaged switch
Type	Inmanaged Switch
No. of Copper Ports	8 or less
No. of Fiber Ports	None
Inrush Current Max	2.2 A
Power Supply Voltage	24V (18...60V DC, 18...30V AC, 50/60Hz), Class 2/SELV
Current Rating	20mA
Power Dissipation Max	2W @ 24V AC/DC

## **ADDITIONAL DETAILS**

---

Mounting	Din Rail
Operating Temperature	0...60°C (32...140°F)
Ports per Module	5
Network Media	Male RJ45 to Male RJ45 Patchcord, Unshielded Twisted Pair Teal TPE Cable, 1.9M

## **CERTIFICATIONS AND APPROVALS**

---

UL  
CE  
IEC

For UL Certifications Directory:

<http://database.ul.com/cgi-bin/XYV/template/LISEXT/1FRAME/index.htm>

## Stratix 2000 Ethernet Unmanaged Switches

Cat. No.	Description	Total Ports	RJ45 Ports	Fiber Ports	SFP Slots
1783-US4T1F	4 ports RJ45 10/100 1 port fiber multi mode	5	4	1 multi mode	1
1783-US4T1H	4 ports RJ45 10/100 1 port fiber single mode	5	4	1 single mode	1
<b>1783-US5T</b>	<b>5 ports RJ45 10/100</b>	<b>5</b>	<b>5</b>	<b>—</b>	<b>—</b>
1783-US5TG	5 ports RJ45 10/100/1000	5	5	—	—
1783-US6T2F	6 ports RJ45 10/100 2 port fiber multi mode	8	6	2 multi mode	2
1783-US6T2H	6 ports RJ45 10/100 2 port fiber single mode	8	6	2 single mode	2
1783-US6TG2CG	6 ports RJ45 10/100/1000	8	6	2 GB combo	2
1783-US7T1F	7 ports RJ45 10/100 1 port fiber multi mode	8	7	1 multi mode	1
1783-US7T1H	7 ports RJ45 10/100 1 port fiber single mode	8	7	1 single mode	1
1783-US8T	8 ports RJ45 10/100	8	8	—	—
1783-US14T2S	14 ports RJ45 10/100	16	14	2	2
1783-US16T	16 ports RJ45 10/100	16	16	—	—

**Table 33 - Technical Specifications - Stratix 2000 Switches**

Attribute	1783-US4T1F 1783-US4T1H	1783-US5TG	1783-US6T2F 1783-US6T2H 1783-US7T1F 1783-US7T1H	1783-US6TG2CG	1783-US14T2S	1783-US16T	<b>1783-US5T</b>	1783-US8T
Inrush current, max	—						<b>2.2 A</b>	
Power supply voltage	<b>24V (18...60V DC, 18...30V AC 50/60 Hz), Class 2/SELV</b>							
Current rating	230.5 mA	432.1 mA	442.3 mA	1242.7 mA	663.2 mA	555.5 mA	<b>250 mA</b>	361 mA
Power dissipation, max	2.841 W	5.491 W	5.927 W	13.643 W	7.991 W	6.72 W	<b>2 W @ 24V AC/ DC</b>	4.04 W @ 24V AC/DC
Isolation voltage	<b>30V (continuous), basic insulation type, power to network channels</b> <b>No isolation between individual network channels</b> <b>Type tested at 500V AC for 60 s</b>							
Ethernet connections <sup>(1)</sup>	RJ45 connector according to IEC 60603-7, 2-pair or 4-pair Category 5e minimum cable according to TIA 568-B.1 or Category 5 cable according to ISO/IEC 24702 rated 82 °C (180 °F) min						RJ45 connector according to IEC 60603-7, 2-pair or 4-pair Category 5e minimum cable according to TIA 568-B.1 or Category 5 cable according to ISO/IEC 24702	
DC power connections	0.82...2.5 mm <sup>2</sup> (18...14 AWG) twisted-pair copper wire suitable for 82 °C (180 °F) above surrounding ambient temperature outside the enclosure						0.75...2.5 mm <sup>2</sup> (18...14 AWG) twisted-pair copper wire suitable for 30 °C (86 °F) above surrounding ambient temperature outside the enclosure	

**Table 33 - Technical Specifications - Stratix 2000 Switches**



Attribute	1783-US4T1F 1783-US4T1H	1783-US5TG	1783-US6T2F 1783-US6T2H 1783-US7T1F 1783-US7T1H	1783-US6TG2CG	1783-US14T2S	1783-US16T	1783-US5T	1783-US8T
Functional earth connection	2.5 mm <sup>2</sup> (14 AWG) copper wire suitable for 82 °C (180 °F) above surrounding ambient temperature outside the enclosure, with a suitable ring terminal						2.5 mm <sup>2</sup> (14 AWG) copper wire suitable for 30 °C (86 °F) above surrounding ambient temperature outside the enclosure, with a suitable ring terminal	
Torque, max recommended	1.82 N·m (16 lb·in) on power /functional earth connector							
Wiring category <sup>(2)</sup>	1 - on power ports 2 - on communication ports							
Enclosure type rating	None (open-style)							
North American temp code	T4						T5	
IEC temp code	T4						T5	

- (1) See [page 55](#) for recommended products.
- (2) Use this conductor category information for planning conductor routing. Refer to Industrial Automation Wiring and Grounding Guidelines, publication [1770-4.1](#).

**Table 34 - Environmental Specifications - Stratix 2000 Switches**



Attribute	1783-US4T1F, 1783-US4T1H, 1783-US5TG, 1783-US6T2F, 1783-US6T2H, 1783-US6TG2CG, 1783-US7T1F, 1783-US7T1H, 1783-US14T2S, 1783-US16T	1783-US5T	1783-US8T
Temperature, operating IEC 60068-2-1 (Test Ad, Operating Cold), IEC 60068-2-2 (Test Bd, Operating Dry Heat), IEC 60068-2-14 (Test Nb, Operating Thermal Shock)	-40...70 °C (-40...158 °F)	0...60 °C (32...140 °F)	
Temperature, surrounding air, max	70 °C (158 °F)	60 °C (140 °F)	
Temperature, nonoperating IEC 60068-2-1 (Test Ab, Unpackaged Nonoperating Cold) IEC 60068-2-2 (Test Bb, Unpackaged Nonoperating Dry Heat) IEC 60068-2-14 (Test Na, Unpackaged Nonoperating Thermal Shock)	-40...85 °C (-40...185 °F)	-40...85 °C (-40...185 °F)	
Relative humidity IEC 60068-2-30 (Test Db, Unpackaged Damp Heat)	5...95% noncondensing	5...95% noncondensing	
Vibration IEC 60068-2-6 (Test Fc, Operating)	2 g @ 10...150 Hz	2 g @ 10...150 Hz	2 g @ 10...500 Hz
Operating shock IEC 60068-2-27 (Test Ea, Unpackaged Shock)	15 g		
Nonoperating shock IEC 60068-2-27 (Test Ea, Unpackaged Shock)	30 g		
Emissions CISPR11 (IEC 61000-6-4)	Class A		
ESD immunity IEC 61000-4-2	8 kV contact discharges 15 kV air discharges	8 kV contact discharges 15 kV air discharges	6 kV contact discharges 8 kV air discharges
Radiated RF immunity IEC 61000-4-3	10V/m with 1 kHz sine-wave 80% AM from 80...2000 MHz 3V/m with 1 kHz sine-wave 80% AM from 2000...2700 MHz		

**Table 34 - Environmental Specifications - Stratix 2000 Switches (Continued)**

Attribute	1783-US4T1F, 1783-US4T1H, 1784-US5TG, 1783-US6T2F, 1783-US6T2H, 1783-US6TG2CG, 1783-US7T1F, 1783-US7T1H, 1783-US14T2S, 1783-US16T	1783-US5T	1783-US8T
EFT/B immunity IEC 61000-4-4	±4 kV at 5 kHz on power ports ±3 kV at 5 kHz on communication ports		
Surge transient immunity IEC 61000-4-5	±2 kV line-line (DM) and ±4 kV line-earth (CM) on DC power ports ±2 kV line-earth (CM) on communication port		
Conducted RF immunity IEC 61000-4-6	10V rms with 1 kHz sine-wave 80% AM from 150 kHz...80 MHz		
Magnetic field immunity IEC 61000-4-8	30 A/m long duration and 300 A/m short duration at 50 Hz		
Magnetic pulse immunity IEC 61000-4-9	—	—	30 A/m pulse
Environmental rating	IP20		

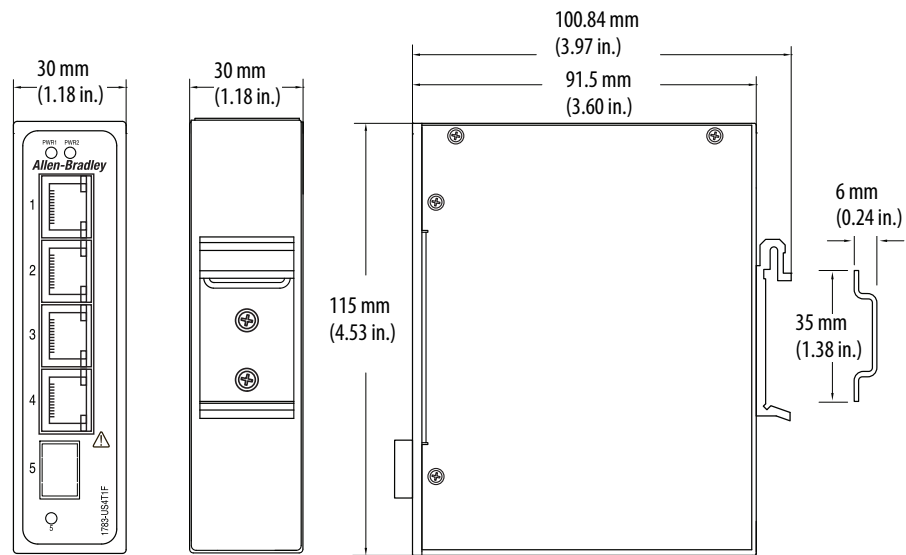
**Table 35 - Certifications- Stratix 2000 Switches**

Certifications (when product is marked) <sup>(1)</sup>	1783-US4T1F, 1783-US4T1H, 1784-US5TG, 1783-US6T2F, 1783-US6T2H, 1783-US6TG2CG, 1783-US7T1F, 1783-US7T1H, 1783-US14T2S, 1783-US16T	1783-US5T, 1783-US8T
c-UL-us	UL Listed for Class I, Division 2 Group A,B,C,D Hazardous Locations, certified for U.S. and Canada. See UL File E194810.	UL Listed Industrial Control Equipment, certified for US and Canada. See UL File E65584. UL Listed for Class I, Division 2 Group A,B,C,D Hazardous Locations, certified for U.S. and Canada. See UL File E194810.
CE	European Union 2004/108/EC EMC Directive, compliant with: <ul style="list-style-type: none"> <li>EN 61326-1; Meas./Control/Lab., Industrial Requirements</li> <li>EN 61000-6-2; Industrial Immunity</li> <li>EN 61000-6-4; Industrial Emissions</li> <li>EN 61131-2; Programmable Controllers (Clause 8, Zone A &amp; B)</li> </ul> European Union 2011/65/EU RoHS, compliant with: <ul style="list-style-type: none"> <li>EN 50581; Technical Documentation</li> </ul>	
RCM	Australian Radiocommunications Act, compliant with: <ul style="list-style-type: none"> <li>EN 61000-6.4; Industrial Emissions</li> </ul>	
Ex	European Union 94/9/EC ATEX Directive, compliant with: <ul style="list-style-type: none"> <li>EN 60079-15; Potentially Explosive Atmospheres, Protection "n"</li> <li>EN 60079-0; General Requirements II 3 G Ex nA IIC T4 Gc X</li> </ul>	European Union 94/9/EC ATEX Directive, compliant with: <ul style="list-style-type: none"> <li>EN 60079-15; Potentially Explosive Atmospheres, Protection "n"</li> <li>EN 60079-0; General Requirements II 3 G Ex nA IIC T5 Gc</li> </ul>
KC	Korean Registration of Broadcasting and Communications Equipment, compliant with: <ul style="list-style-type: none"> <li>Article 58-2 of Radio Waves Act, Clause 3</li> </ul>	

(1) See the Product Certification link at <http://www.ab.com> for Declarations of Conformity, Certificates, and other certification details.

## Dimensions—Stratix 2000 Switches

### 1783-US4T1F, 1783-US4T1H, 1783-US5TG Switch Dimensions



32502-M

**1783-USST Switch Dimensions**

