

Product Details and Certifications

Product: 1794-ACN15

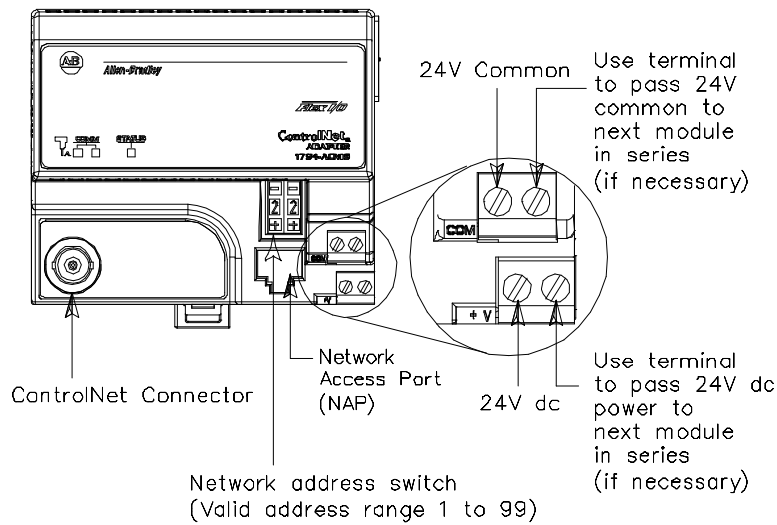
Description: ControlNet FLEX I/O Adapter Module

I/O Hardware

Communication Adapters

1794-ACN15 1 ControlNet FLEX I/O Adapter Module

WIRING DIAGRAM FOR 1794-ACN15



WARNING If you connect or disconnect the ControlNet cable with power applied to the adapter or any device on the network, an electrical arc can occur. This could cause an explosion in hazardous location installations. Be sure that power is removed or the area is nonhazardous before proceeding.