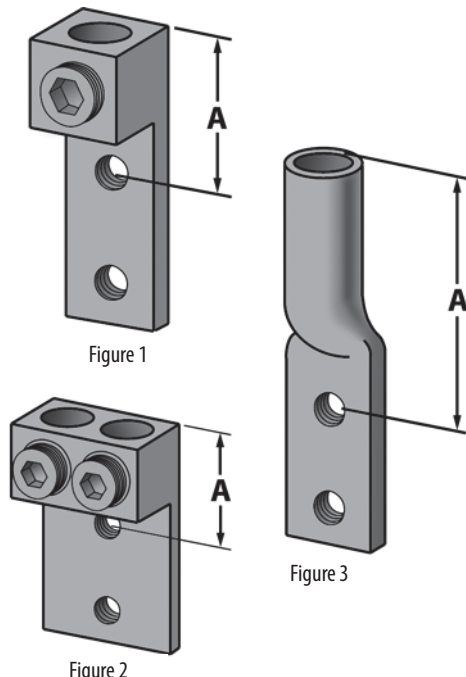


Table 296 - Lug Dimensions

Lug Size	Number of Cables Per Lug	Dimension "A"	Refer to Figure
Mechanical Type			
#6-350 kcmil	1	2.13" (54 mm)	1
#4/0-600 kcmil	1	2.31" (59 mm)	1
350-800 kcmil	1	2.25" (57 mm)	1
#6-350 kcmil	2	2.13" (54 mm)	2
#4/0-600 kcmil	2	2.13" (54 mm)	2
Crimp Type - CU (Panduit Type LCC)			
250 kcmil	1	2.94" (75 mm)	3
350 kcmil		3.38" (86 mm)	
500 kcmil		3.78" (96 mm)	
750 kcmil		4.63" (118 mm)	
Crimp Type - CU/AL (Burdny YA-A Series)			
250 kcmil	1	2.91" (74 mm)	3
350 kcmil		3.69" (94 mm)	
500 kcmil		4.44" (113 mm)	
750 kcmil		4.94" (125 mm)	



Lugs shown are drilled for 2-hole NEMA 1.75" spacing.

Unit Hardware and Kits for Field Installation

Table 297 - Unit Hardware and Kits

Description		Catalog Number	Price	Delivery Program	
Control Station Housing	Available for use on units series letter H through current series. Housings for series A through G are no longer available.	Blank	\$65	SC	
		1 hole—for one (1) Bulletin 800T pilot device			2100H-N9
		2 hole—for two (2) Bulletin 800T pilot devices			2100H-N10
		3 hole—for three (3) Bulletin 800T pilot devices			2100H-N11
Control Station Mounting Plate	Blank (Bulletin 2103L and 2113 dual only)		65		
	1 hole—for one (1) Bulletin 800T pilot device (Bulletin 2103L and 2113 dual only)				2100H-N9D
	2 hole—for two (2) Bulletin 800T pilot devices (Bulletin 2103L and 2113 dual only)				2100H-N10D
	3 hole—for three (3) Bulletin 800T pilot devices (Bulletin 2103L and 2113 dual only)				2100H-N11D
Door Hardware Kit	Includes two (2) door latch assemblies and two (2) door hinge assemblies	Series H or later	20		
		1.0 space factor			2100H-NDH2
		0.5 space factor	2100H-NDH3		
Door Hinge Kit ⁽¹⁾	Includes two (2) hinges and two (2) hinge pins	Series H or later	15		
		0.5 space factor door			2100H-NHP1
		Series E or later	2100H-NHP2		
Cardholder for Unit Doors	1.125" x 3.625" plastic card holders with blank cards	6 per package	40		