



## Interactive product catalog

### Dual Rated aluminum Terminals

#### YA29A3

Type YA-A aluminum tin plated compression HYLUG terminals are dual rated and designed for use on both aluminum and copper conductors from #12 solid through 2000 kcmil. They are designed for heavy duty applications to 35KV. YA-A terminals are prefilled with PENETROX, and assembled with color-coded end caps. Available with one, two, and four hole NEMA tongues, the aluminum HYLUG terminals are designed for a permanent trouble free electrical termination.



#### Features Selected

<b>Wire Size</b>	250 kcmil
<b>Stud Hole Size</b>	1/2 in.
<b>Stud Hole Spacing</b>	1-3/4 in.
<b>Tongue Width</b>	1.26 in.

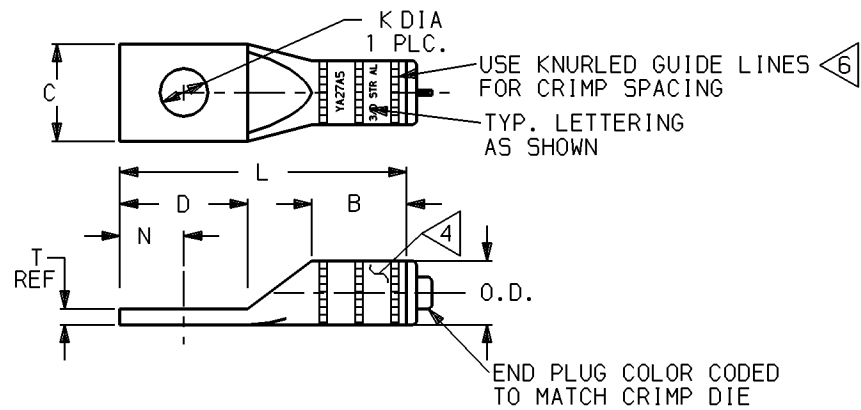
#### Other Properties

<b>Wire Strip Length</b>	1-5/8 in.
<b>Element A Index</b>	324
<b>UL Listed</b>	yes
<b>CSA Certified</b>	yes

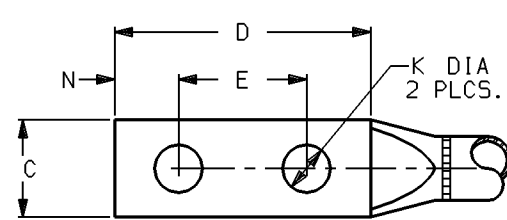


DRAWING NO. SD73935	CONNECTOR DIMENSIONS - LINEAR MEASURE: IN, [mm]												INFORMATION			LISTING													
	CATALOG NUMBER	COPPER OR ALUMINUM CONDUCTOR SIZE	NO. OF STRANDS	STUD SIZE	NO. OF HOLES	B	C	D	E	F	K DIA.	L	N	O.D.	T REF.	PLATING	COLOR CODE	DIE INDEX #	CONDUCTOR TYPE	APPROVALS FOR TIN PLATED CONNECTORS									
YA28A1	4/0 STRANDED .528ø	19	3/8	1	1.39	1.17	1.18	-	-	.44	3.26	.44	.85 [22]	.30 [8]	TIN	WHITE	298	AL9CUHV	UL AND CSA UL Ⓢ										
YA28A2					[35]	[30]	[30]	-	-	[11]	[83]	[11]			NONE														
YA28A3			1/2	1	1.39	1.17	1.36	-	-	.56	3.44	.63			TIN														
YA28A4					[35]	[30]	[35]	-	-	[14]	[87]	[16]			NONE														
YA28A5			1/2	2	1/2	1	1.39	1.17	3.11	1.75	-	.56			5.19					.63	.30	TIN	8	BLUE	470	AL9CUHV	UL AND CSA UL Ⓢ		
YA28A6							[35]	[30]	[79]	[44]	-	[14]			[132]					[16]	NONE								
YA28A7					3/8	2	1/2	1	1.39	1.17	1.89	1.00			-					.44	3.97	.44						.30	TIN
YA28A8									[35]	[30]	[48]	[25]			-					[11]	[101]	[11]						NONE	
YA29A1	250 kcmil .575ø	37	1/2	2	1.45	1.26	1.36	-	-	.56	3.53	.63	.92 [37]	.33 [8]	TIN	RED	324	AL9CUHV	UL AND CSA UL Ⓢ										
YA29A2					[37]	[32]	[35]	-	-	[14]	[90]	[16]			NONE														
YA29A3					1/2	2	1/2	1	1.45	1.26	3.11	1.75			-					.56	5.28	.63	.33	TIN					
YA29A4	[37]	[32]	[79]	[44]					-	[14]	[134]	[16]	NONE																
YA29A5	300 kcmil .630ø	37	3/8	1	1.45	1.26	1.89	1.00	-	.44	4.06	.44	1.01 [26]	.36 [9]	TIN	BLUE	470	AL9CUHV	UL AND CSA UL Ⓢ										
YA30A1					[37]	[32]	[48]	[25]	-	[11]	[103]	[11]			NONE														
YA30A2			1/2	2	3/8	1	1.53	1.38	1.37	-	-	.56			3.90					.63	.36	TIN							
YA30A6							[39]	[35]	[35]	-	-	[14]			[99]					[16]	NONE								
YA30A3	1/2	2	3/8	1	1.53	1.38	3.11	1.75	-	.56	5.64	.63	.36 [9]	.36 [9]	TIN	BLUE	470	AL9CUHV	UL AND CSA UL Ⓢ										
YA30A4					[39]	[35]	[79]	[44]	-	[14]	[143]	[16]			NONE														
YA30A5					3/8	2	3/8	1	1.53	1.38	1.89	1.00			-					.44	4.42	.44	.36	TIN					
					[39]	[35]	[48]	[25]	-	[11]	[112]	[11]	[9]	NONE															

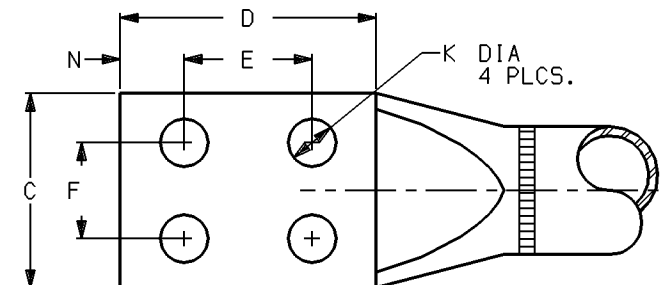
1 - HOLE DESIGN



2 - HOLE DESIGN



4 - HOLE DESIGN



NOTES:

- ALL HYLUGS ACCOMMODATE U.S. STANDARD WASHERS
- REMOVE ALL EXCESS PENETROX™ FROM CONNECTOR AND ADJACENT CONDUCTOR PRIOR TO TAPING.
- APPROVALS APPLY TO TIN PLATED CONNECTORS ONLY.
- CONNECTOR BARRELS PREFILLED WITH PENETROX™.
- THE SAME SIZE COMPACT CONDUCTOR AS THE CONCENTRIC CAN BE ACCOMMODATED IN ADDITION TO THE CONDUCTOR ACCOMMODATIONS MARKED ON THE CONNECTOR.
- NUMBER OF CRIMPS ARE LISTED FOR EACH SIZE AND DIE COMBINATION ON STUFFER SHEET THAT IS PACKED WITH EACH BOX OF CONNECTORS.
- DIMENSIONS IN BRACKETS [ ] ARE IN MILLIMETERS ROUNDED OFF TO THE NEAREST MILLIMETER, UNLESS OTHERWISE NOTED, AND ARE FOR REFERENCE ONLY.
- NO-OX-ID "A" COATED TO PREVENT FORMATION OF OXIDATION.

UNINSULATED COMPRESSION TERMINAL MATERIAL : ALUMINUM TUBE

HYLUG™			
CAT NO. YA - - A - -	SEE TABLE ABOVE	SCALE	NTS
DRAWN: E.S.K.	7-20-72	CHECKED: S.F.P.	8-1-72
DSGN APPVL: R.B. 8-2-72	MFG APPVL: N/A	MKTG APPVL: P WERTHMAN	6/16/95
Q.A. APPVL: DAVE VARIO 6/19/95	PM REF: N/A	MDL REF: N/A	
CAD FILE: SD73935-SHT03	PROJECT: .	DRAWING NO.	REV
FRAMATOME CONNECTORS USA INC. BURNDY ELECTRICAL		SD73935	27
MANCHESTER, NH 03108 U. S. A. 1-800-346-4175		SHEET 3	OF 7

REV.	DATE	DESCRIPTION	BY	C'K'D.
27	2/27/97	ADDED A NEW ROW FOR YA28A9 WITH DIMENSIONS PER PCN (3090)	KRB	KLH
26	05-SEP-95	REF PCN 2430, ADDED MKNG. & Q.A. APP. SIGNATURES REDRAWN TO CAD & ADDED METRIC	D.D.	J.M.

REV: 061995