

 Cross Reference RA Part Number 22187-023-02

**CATALOG ITEM**  
DIMENSIONS IN INCHES (mm)

**1.0 DESCRIPTION:** POWER DISTRIBUTION TERMINAL BLOCK, 600 VOLTS

**2.0 REQUIREMENTS:**



- 2.1 ELECTRICAL CHARACTERISTICS:
  - 2.1.1 AMP RATING PER POLE: 1680A Cu; 1360A AL.
  - 2.1.2 VOLTS: 600V
- 2.2 MATERIAL:
  - 2.2.1 HOUSING: PHENOLIC PER ASTM D700-57T,  
TEMPERATURE RATING: 150°C (302°F)
  - 2.2.2 CONNECTOR: ALUMINUM, TIN PLATED.
- 2.3 LINE. 600MCM-#4 AWG
- 2.4 UL RECOGNIZED, CSA CERTIFIED

**3.0 VENDOR MODIFICATIONS:** A-B MUST BE NOTIFIED OF ANY CHANGES IN MATERIALS OR PROCESSES WHICH COULD AFFECT THE PERFORMANCE, RELIABILITY OR PHYSICAL CHARACTERISTIC OF THIS DEVICE.

**4.0 PACKAGING:** SHIPPING CONTAINERS MUST BE MARKED WITH MANUFACTURE'S NAME AND PART NUMBER

**5.0 NOTES:** NUT PACK TO BE PACKED WITH EACH ASSEMBLY

PART NO.	CHG. CHR.	NO. POLES	LOAD
-01	2	1	1/2 - 13 X 1.56 STD
<b>-02</b>	<b>2</b>	<b>3</b>	<b>3/8 - 16 X 1 5/16 STD</b>

REFERENCE		POWER DISTRIBUTION TERMINAL BLOCK		THIS DRAWING IS THE PROPERTY OF THE ALLEN-BRADLEY AND SHALL NOT BE REPRODUCED. COPIED OR USED AS THE BASIS FOR THE MANUFACTURE OR SALE OF PRODUCTS WITHOUT PERMISSION.	
REVISION AUTHORIZATION		COMM CODE	FIRST USE		
1	50062-00	 		MILWAUKEE	
2	1000063				
DIMENSIONS APPLY BEFORE SURFACE TREATMENT. (DIMENSIONS IN INCHES) TOLERANCES UNLESS OTHERWISE SPECIFIED  X.XX: +/- .01 X.XXX: +/- .005 ANGLES: +/- 1°		DR. M.ZUCCARO	DATE 5/27/02	DWG. SIZE A	SHEET: 1 OF 2
		CHKD. D.DAIGLE	DATE 5/27/02	DWG NO:	REV:
		APPD. L. BOHEN	DATE 5/27/02	<b>22187-023</b>	<b>2</b>

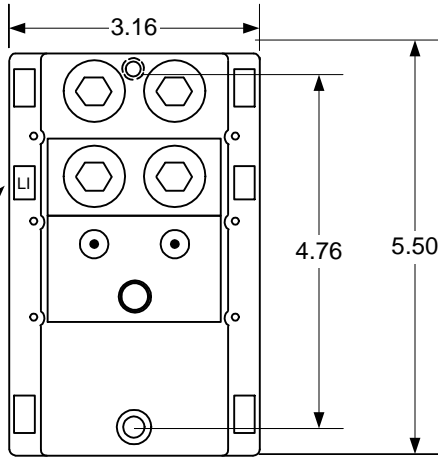
1

2

A

A

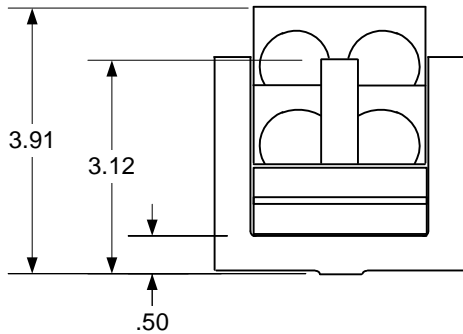
LINE SIDE  
LOOK FOR LI MARKING



**ONE POLE  
-01**

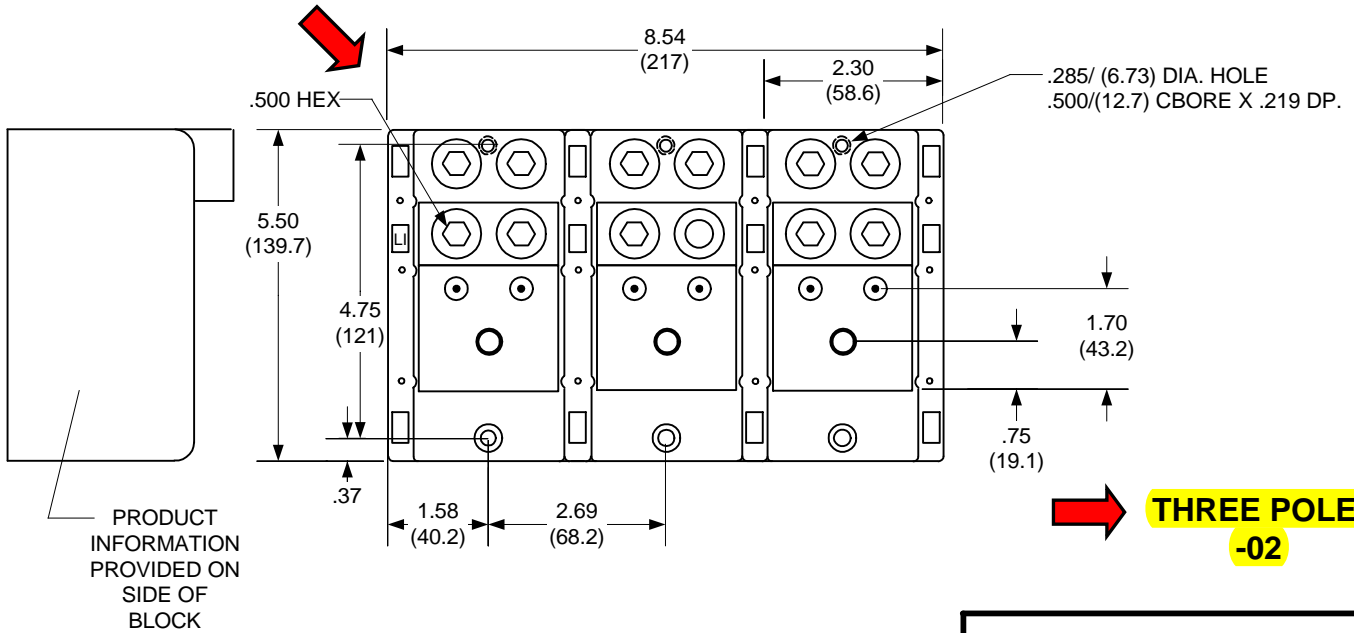
B

B



C

C

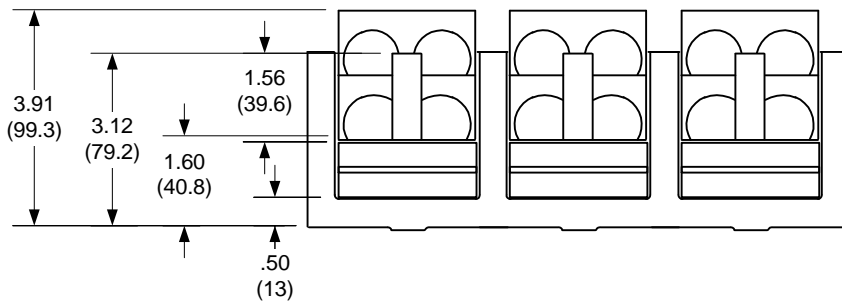


PRODUCT  
INFORMATION  
PROVIDED ON  
SIDE OF  
BLOCK

**THREE POLE  
-02**

D

D



THIS DRAWING IS THE PROPERTY OF  
THE ALLEN-BRADLEY AND SHALL  
NOT BE REPRODUCED. COPIED OR  
USED AS THE BASIS FOR THE  
MANUFACTURE OR SALE OF  
PRODUCTS WITHOUT PERMISSION.

**MILWAUKEE**

DWG. SIZE A SHEET: 2 OF 2

DWG NO:

**22187-023**

REV:

**2**

1

2