

➔ Mfr Part Number 20001-18

Hobbs AC Hour Meters

← Back

Next →

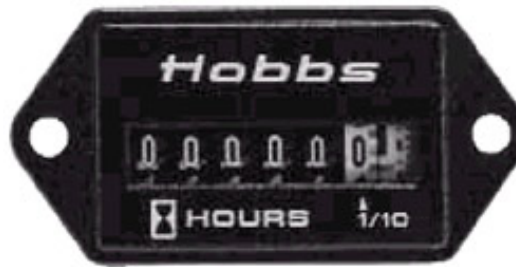
20000 Series

When there's a need to keep track of run time, quality-minded companies choose Hobbs! Whether it's for testing purposes, leasing applications, maintenance reasons, and/or warranty programs, you want an accurate and reliable hour meter. The **Hobbs 20000 Series** hour meter delivers!

To ensure our high standards of quality, all parts are in-process inspected. Every meter must pass 100% function and timing accuracy tests before shipping. These "Deluxe" AC meters are also totally sealed and benefit from an uncommon design which integrates the motor and frame into one substructure.

Specifications

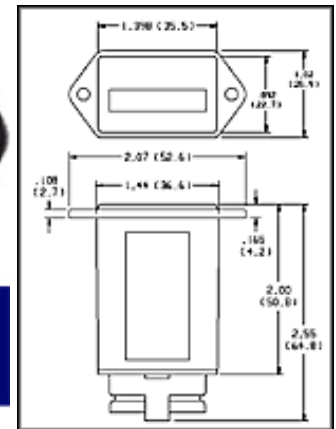
- Records up to 99,999 hours
Automatic recycle to zero
- 24,120 and 240 VAC models available (Range ±10%)
- 50 and 60 Hertz versions
- 3.0 watts power rating
- Operating temperature: - 65° F to +154°F (-54° C to +68°C)
- Accuracy: ±.02%.
- Weight: 3 oz
- Screw termination or 7" lead wires



Rectangular 2 Screw

Operating Voltage	Hertz	Termination	Part #
108 to 132 VAC	50	Screw *	20028
108 to 132 VAC	50	7" Leads **	20034
108 to 132 VAC	60	Screw *	20001
108 to 132 VAC	60	7" Leads **	20035
216 to 264 VAC	50	Screw *	20029
216 to 264 VAC	50	7" Leads **	20036
216 to 264 VAC	60	Screw *	20007
216 to 264 VAC	60	7" Leads **	20037

Deluxe AC Hour Meters

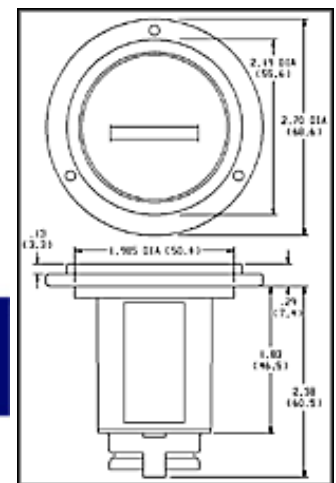


Two-Screw Mount: Panel cut out 1.45 x .95 rectangular opening. Two .150 holes spaced 1.750.*



Round 3 Screw

Operating Voltage	Hertz	Termination	Part #
108 to 132 VAC	50	Screw *	20016
108 to 132 VAC	50	7" Leads **	20042
108 to 132 VAC	60	Screw *	20017
108 to 132 VAC	60	7" Leads **	20043
216 to 264 VAC	50	Screw *	20018
216 to 264 VAC	50	7" Leads **	20044
216 to 264 VAC	60	Screw *	20019
216 to 264 VAC	60	7" Leads **	20045



Three-Screw Mount Panel cut out 2.00 diameter opening. Three .125 holes equally spaced on 2.42 bolt circle diameter. *

* UL Listed, CSA Certified and CE Mark
** UL Recognized, CSA Certified and CE Mark

- Lens material: 3-screw mount: Glass All others: Polycarbonate
- Case material: Polycarbonate
- Number size: 0.12" (3mm)
- UL Listed (File # E47098): Screw terminals
- UL Recognized: Wire lead versions
- CSA Certified (File # LR42455)
- Conforms to MIL-M-3971 *
- CE Mark

AC Applications	
<ul style="list-style-type: none"> ● Business machines ● Control panels ● Lighting systems ● Generators ● Compressors & pumps ● Refrigeration 	<ul style="list-style-type: none"> ● Air conditioning ● Furnaces ● Lab test equipment ● Sun tanning equipment ● Oxygen concentrators ● Many more!

* Panel cutout dimensions are $\pm .010$ tolerance
 All dimensions shown in inches and (metric)

Features

- Polycarbonate, shock resistant, tamper proof case
- Totally sealed *
- Single phase, synchronous, permanently lubricated motor
- Custom logo dials, 1/4" blade terminals, special wire lengths.

Options:

If you need it, let us know. YOUR satisfaction is our goal!

* Applicable on shown "screw terminal" meters. Contact Hobbs for specifications on other available models.