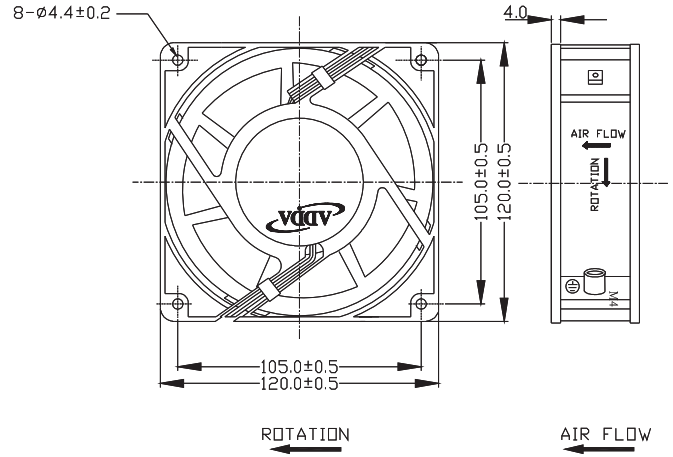




External Dimensions



Frame: Aluminum Alloy
 Impeller: Plastic (UL:94V-0)
 Motor Structure: Capacitor-Run Induction Motor.
 Motor Protection: Thermal Protect.
 Lead wire: UL 1430 AWG24
 OPERATING TEMP*: -10°C~70°C
 *: -10°C~60°C for fans with sleeve/ball combination bearings.

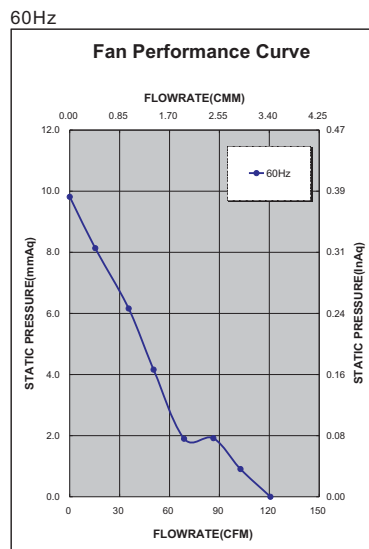
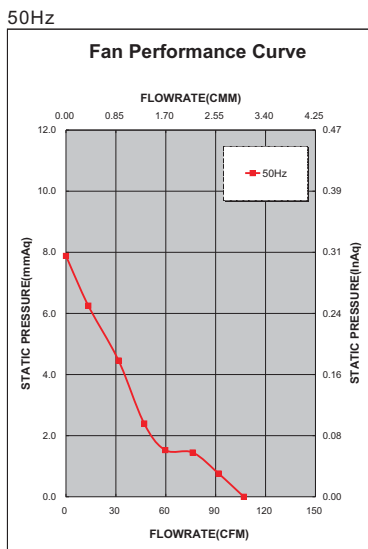
Specifications(Nominal)

*Noise is measured at the distance of one (1) meter from the axis of intake.

Bearing type: ⊙=Ball ⚙=Sleeve ○=1B1S ●=Hypro bearing

Frame size (mm)	Model No.	Bearing System Type	Volt. (VAC)	Freq. (Hz)	Current (A)	Power (W)	Rated Speed (rpm)	Maximum AirFlow (CMM)	Maximum AirFlow (CFM)	Maximum Pressure (InAq)	Maximum Pressure (mmAq)	*Noise Level (dB/A)	Weight (g)
120x120x38	AX12381HB-C	⊙	115	50/60	0.20/0.19	22.60/21.80	2700/3100	3.028/3.412	107.0/120.6	0.310/0.386	7.874/9.804	43.0/47.0	504
	AX12382HB-C	○	230		0.09/0.09	21.60/20.70							

Specifications subject to change without notice.



*Safety approvals
115V

✓	✓			

230V

✓	✓		✓	✓