

## DC FAN



Standard Fan PICO ACE  
Square type : 60mm Thick : 25mm

ribless models

Features

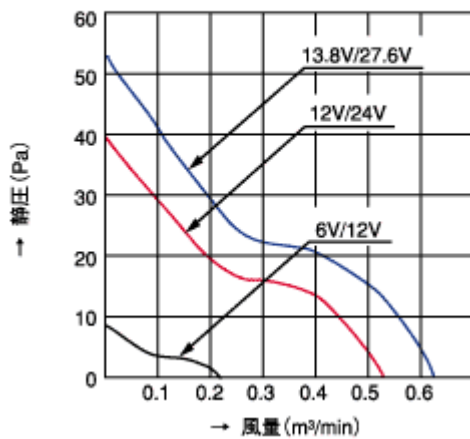
Motor protection system	Current cut system (with reverse-connection protection))
Dielectric strength	50/60 Hz, 500VAC, 1 minute (between lead conductor and frame)
Operating thermally range	-10°C to +60°C (non-condensing)
Fan power lead	J,G,D,S,H,F,Wspeeds, +red, -black Mspeed, +red, -blue

### Specifications

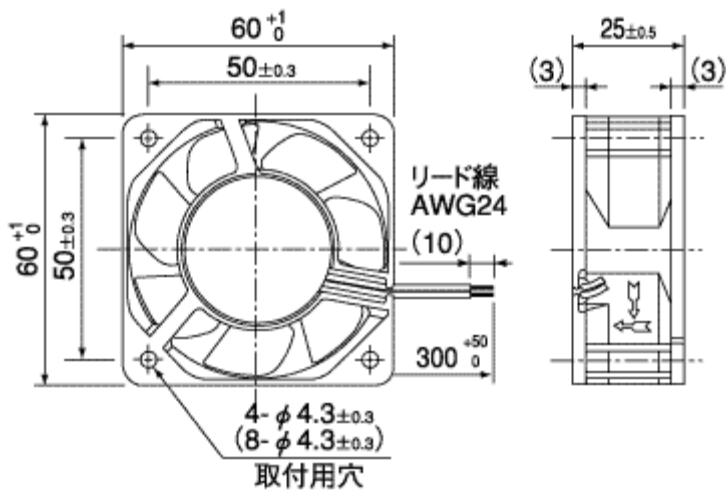
Model No.	Rated Voltage (V)	Operating voltage range (V)	Rated current (A)	Rated input (W)	Rated rotating speed (min <sup>-1</sup> )	Air flow (m <sup>3</sup> /min)	Static pressure (Pa)	Noise (dB [A])	Mass (g)
109R0624H4021	24	12-27.6	0.06	1.44	3800	0.53	40.2	28	90

Typical air flow and static pressure characteristics

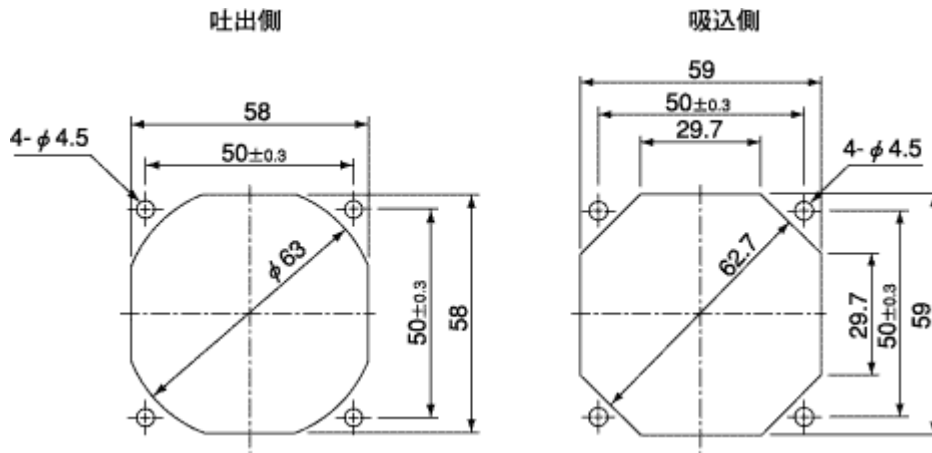
スピード



Dimensions (unit:mm)



Reference dimensional diagram for installation holes (unit:mm)



**1.0 DESCRIPTION:** BRUSHLESS DC FAN 60 X 25 mm

**2.0 REQUIREMENTS**

2.1 MARKING: MANUFACTURER'S NAME OR SYMBOL AND PART NUMBER

**3.0 VENDOR MODIFICATION:** A-B MUST BE NOTIFIED OF ANY CHANGES IN MATERIALS OR PROCESSES WHICH COULD AFFECT THE PERFORMANCE, RELIABILITY OR PHYSICAL CHARACTERISTICS OF THIS DEVICE

**4.0 PACKAGING:**

4.1 SHIPPING CONTAINERS MUST BE MARKED WITH MANUFACTURER'S NAME AND PART NUMBER

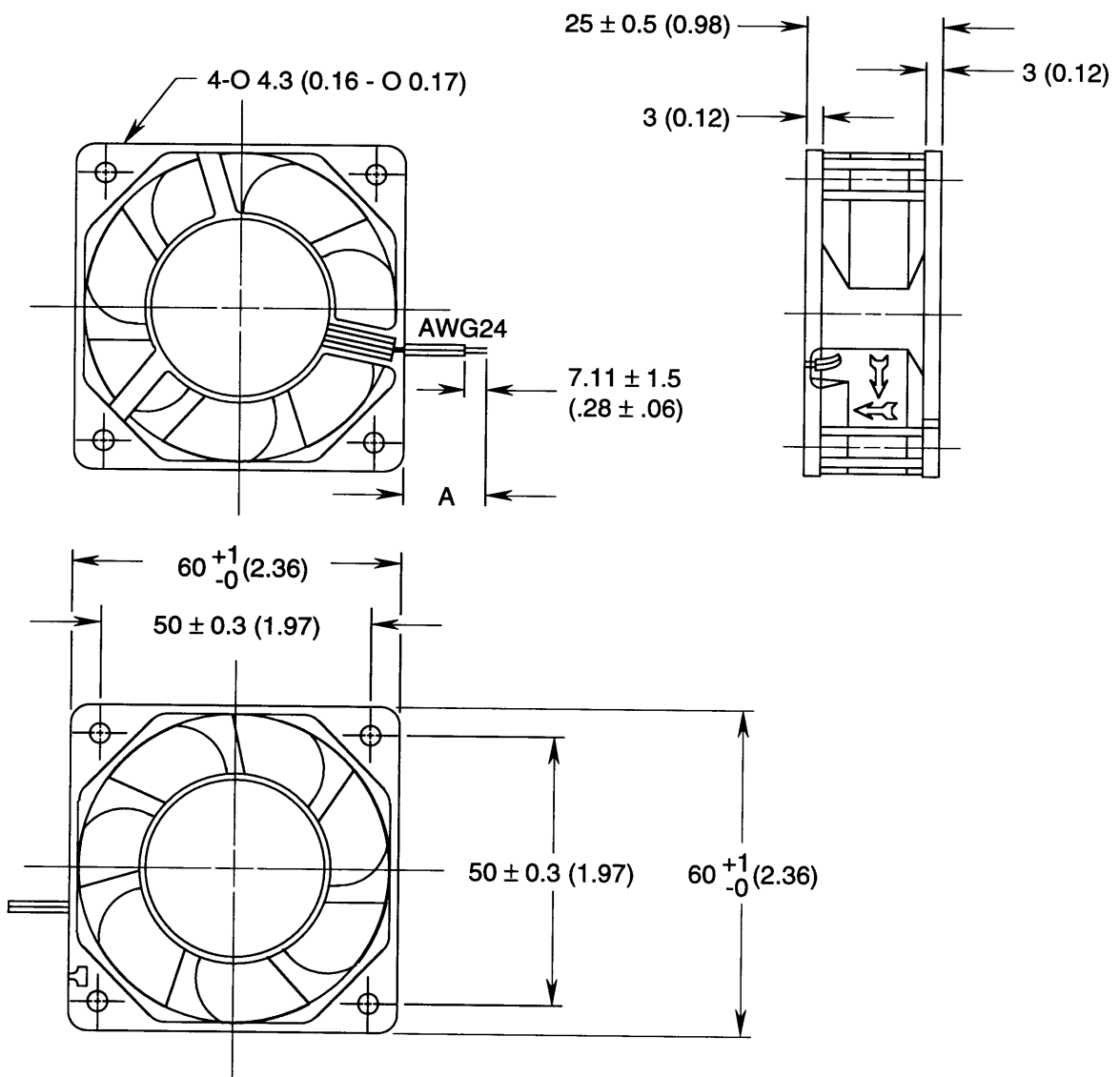
4.2 -02 PART MARKING SUFFIX "-A06" WILL NOT BE ON PART

**CATALOG ITEM**



PART NO.	CHG. LTR.	VOLTAGE VDC	CURRENT A	INPUT W	AIR VOLUME CFM	SPEED RPM	LEAD LENGTH A
-01	B	24	0.06	1.44	18.7	3800	177.8 ± 10 (7.00 ± .393)
-02	A	24	0.06	1.44	18.7	3800	450.0 ± 20 (17.7 ± .787)
-03	A	24	0.06	1.44	18.7	3800	300.0 ± 20 (11.8 ± .787)

REFERENCE		BRUSHLESS DC FAN		<p><b>THIS DRAWING IS THE PROPERTY OF THE ALLEN-BRADLEY CO. INC. AND MAY NOT BE COPIED, USED OR DISCLOSED FOR ANY PURPOSE EXCEPT AS AUTHORIZED IN WRITING BY THE ALLEN-BRADLEY CO. INC.</b></p> <p>LOCATION: MILWAUKEE, WISCONSIN U.S.A.</p>									
<p><b>REVISION AUTHORIZATION</b></p> <table border="1"> <tr><td>1</td><td>50378-95</td></tr> <tr><td>2</td><td>2255-99</td></tr> <tr><td>3</td><td>50344-00</td></tr> <tr><td>4</td><td>50326-01</td></tr> </table>		1	50378-95			2	2255-99	3	50344-00	4	50326-01	<p>DIMENSIONS APPLY BEFORE SURFACE TREATMENT</p> <p>(DIMENSIONS IN INCHES) TOLERANCES UNLESS OTHERWISE SPECIFIED</p> <p>.XX: ± .02</p> <p>.XXX: ± .005</p> <p>ANGLES: ± 1°</p>	
1	50378-95												
2	2255-99												
3	50344-00												
4	50326-01												
		DR. MADELINE LAVEN	DATE 7/3/01	DWG. SIZE	SHEET 1 OF 2								
		CHKD. <i>[Signature]</i>	DATE 7/5/01	<b>A</b>									
		APPD. <i>[Signature]</i>	DATE 7/6/01			<b>22650-007</b>							



**CATALOG ITEM**  
 DIMENSIONS ARE IN mm (INCHES)

REFERENCE		BRUSHLESS DC FAN		THIS DRAWING IS THE PROPERTY OF THE ALLEN-BRADLEY CO. INC. AND MAY NOT BE COPIED, USED OR DISCLOSED FOR ANY PURPOSE EXCEPT AS AUTHORIZED IN WRITING BY THE ALLEN-BRADLEY CO. INC.	
<b>REVISION AUTHORIZATION</b>		DIMENSIONS APPLY BEFORE SURFACE TREATMENT		LOCATION: MILWAUKEE, WISCONSIN U.S.A.	
1	50378-95	(DIMENSIONS IN INCHES) TOLERANCES UNLESS OTHERWISE SPECIFIED		DR. MADELINE LAVEN DATE 7/3/01	
2	2255-99	.XX: ± .02		CHKD. <i>[Signature]</i> DATE 7/5/01	
3	50344-00	.XXX: ± .005		APPD. <i>[Signature]</i> DATE 7/6/01	
4	50326-01	ANGLES: ± 1°		DWG. SIZE <b>A</b>	
MACX ORIG		Rockwell Automation Allen-Bradley		SHEET <b>2</b> OF <b>2</b> <b>22650-007</b>	