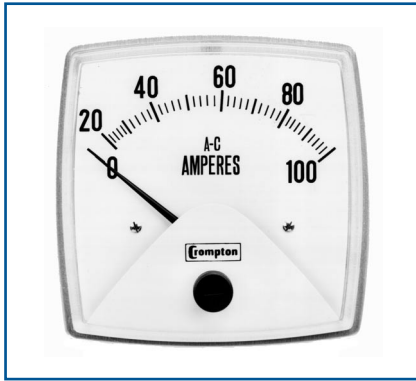


016 Series Fiesta Indicators



A robust range of shortscale and longscale 3 1/2" surface mount panel meters offering IP55 protection and featuring a wide viewing contoured window. The range offers iron vane and moving coil AC and DC ammeters and voltmeters, elapsed time and frequency meters ideally suited for demanding environmental applications. Options include supplementary pointer, non reflecting window, heavily damped movement, panel gasket, clamp band fixing long scale and coloured internal gasket.

Specification – Elapsed Time Meter and Frequency Meter

Voltage:	100/125V, 200/250V or 480V A.C.
Frequency:	50Hz or 60Hz
Burden:	4VA Maximum
Operating Temperature:	-20°C to 65°C (-4°F to 149°F)
Storage Temperature:	-30°C to 70°C (-22°F to 158°F)

Features

Contoured window providing an exceptionally high viewing angle
Withstands high levels of shock, vibration, dirt and humidity

Benefits

Complies with ANSI C39.1 (IEC 51)
IP55 (NEMA 4) protection
Instruments comply with BSEN61010-1 and meet IEC414 (BS5458)
Dielectric Test (2600V for 1min)
Customised options and features

Applications

Switchgear
Distribution systems
Generator sets
Control panels
Energy management
Utility power monitoring
Process control
Motor control

Approvals

UL approvals file no. E87815

Specification – Iron Vane A.C. Ammeter & Voltmeter

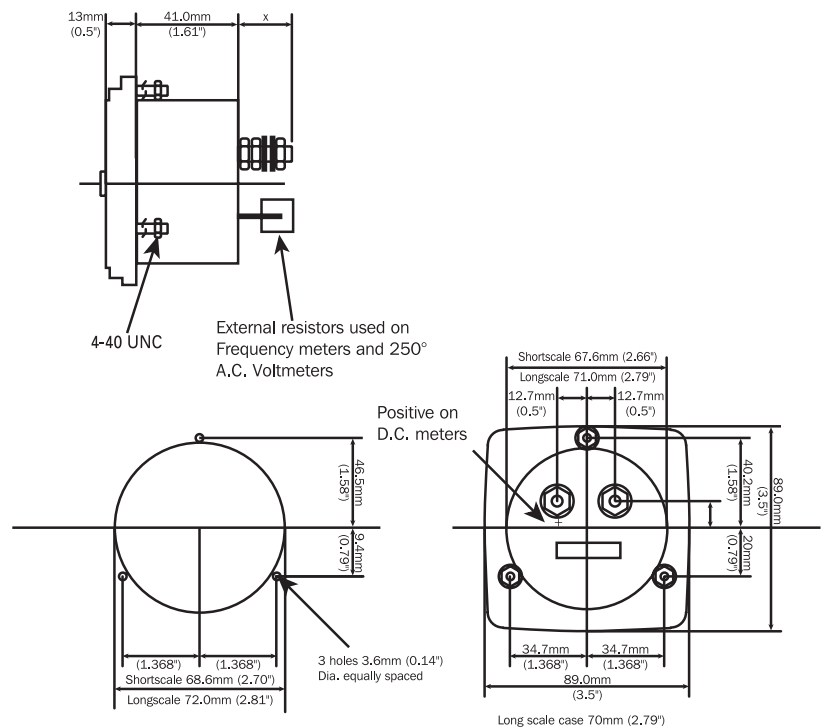
Accuracy:	Shortscale: ammeters 2.5%; Longscale: 1.5 %
Ratings:	Ammeters: Shortscale 1 to 80A, Longscale 1 to 20A Volts: 10V to 600V
Overload:	Ammeters: x1.2 for 2 hours, 10 x for 5 seconds Volts: x1.2 for 2 hours, 2 x for 5 seconds
Burden:	Ammeters: Shortscale 0.5VA; Longscale 1.5VA Volts: 4.5VA maximum
Operating Temperature:	-20°C to 65°C (-4°F to 149°F)
Storage Temperature:	-30°C to 70°C (-22°F to 158°F)

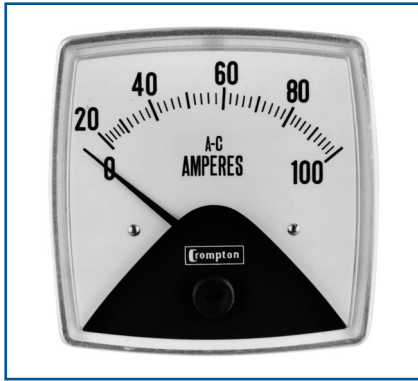
Specification – Moving Coil D.C. Ammeter & Voltmeter

Accuracy Class:	Shortscale 1.5; Longscale 1.5
Ratings:	Ammeters: 200µA to 30A, (100µA Shortscale) Volts: 50mV to 600V
Overload:	Ammeters: x1.2 for 2 hours, 10 x for 5 seconds Volts: x1.2 for 2 hours, 2 x for 5 seconds
Impedance:	Volts 1000 ohms per Volt nominal
Operating Temperature:	-20°C to 65°C (-4°F to 149°F)
Storage Temperature:	-30°C to 70°C (-22°F to 158°F)

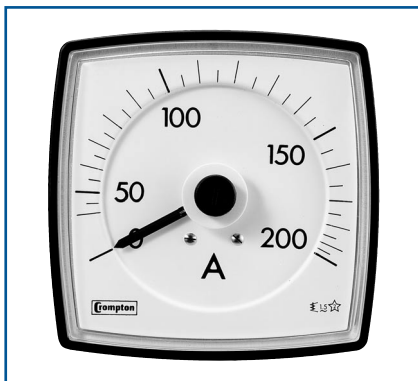
Dimensions

x = Terminals. 1/4 - 28 UNF up to 59.9A 0.72" long. 5/16 - 24UNF over 60A 0.94" long.

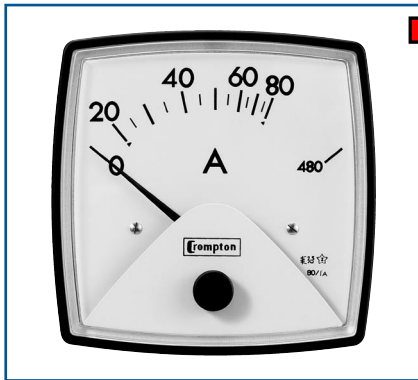




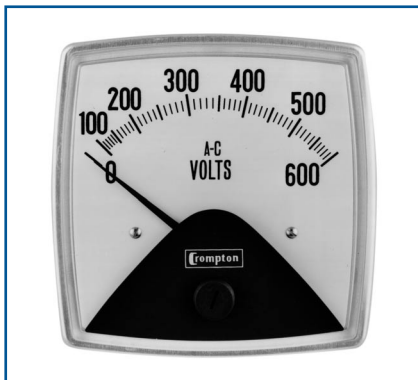
A.C. Ammeter Shortscale



A.C. Ammeter Longscale



A.C. Overload Ammeter



A.C. Voltmeter

A.C. Ammeter

Product Codes – True RMS Reading - Self Contained 50/60Hz

Rating	Scaling	ShortScale Catalogue No.	LongScale Catalogue No.
5A	0-5A	•016-02A*-LSLS-C7	016-03A*-LSLS-C7
10A	0-10A	016-02A*-MTMT-C7	016-03A*-MTMT-C7
15A	0-15A	016-02A*-NDND-C7	016-03A*-NDND-C7
20A	0-20A	016-02A*-NGNG-C7	016-03A*-NGNG-C7
30A	0-30A	016-02A*-NLNL-C7	016-03A*-NLNL-C7
5A	Transformer Rated	•016-02A*-LS**-C7	016-03A*-LS**-C7

Product Code – Moving Coil Rectified

100µA to 1A	To Suit	016-01B*-	016-05B*-
-------------	---------	-----------	-----------

A.C. Overload Ammeter

Product Codes – True RMS Reading - Self Contained 50/60Hz

Rating	Scaling	ShortScale Catalogue No.	LongScale Catalogue No.
5A	0-5-30A	016-026*-LSLS-C7	016-036*-LSLS-C7
10A	0-10-60A	016-026*-MTMT-C7	016-036*-MTMT-C7
15A	0-15-90A	016-026*-NDND-C7	016-036*-NDND-C7
20A	0-20-120A	016-026*-NGNG-C7	016-036*-NGNG-C7
30A	0-30-180A	016-026*-NLNL-C7	016-036*-NLNL-C7
5A	Transformer Rated	016-026*-LS**-C7	016-036*-LS**-C7

A.C. Voltmeter

Product Codes – True RMS Reading

150V	0-150V	•016-02V*-PZPZ-C7	016-03V*-PZPZ-C7
300V	0-300V	•016-02V*-RXRX-C7	016-03V*-RXRX-C7
600V	0-600V	•016-02V*-SJSJ-C7	016-03V*-SJSJ-C7
150V	Transformer Rated	•016-02V*-PZ**-C7	016-03V*-PZ**-C7

Product Codes – Moving Coil Rectified

15V to 600V	To suit	016-01W*-	016-05W*-
-------------	---------	-----------	-----------

D.C. Ammeters

Product Codes

0-50mV	To Suit	016-01A*-EC**	016-05A*-EC**
0-1mA	To Suit	•016-01A*-FA**	016-05A*-FA**
0-5mA	To Suit	016-01A*-FX**	016-05A*-FX**
0-10mA	To Suit	016-01A*-HA**	016-05A*-HA**
0-20mA	To Suit	•016-01A*-HF**	016-05A*-HF**

Suppressed Zero

Product Codes – Milliammeters - No zero set unless specified

4/20mA	To Suit	•016-01RA*-HG**	016-05RA-HG**
--------	---------	-----------------	---------------

Product Codes – Voltage Suppressed Zero - No zero set unless specified

1-5V	To Suit	016-01S*-LM**	-
------	---------	---------------	---

* Please state A or B at time of ordering. A = ANSI B = BS89

** Customer to state required scaling at time of ordering

• UL recognised