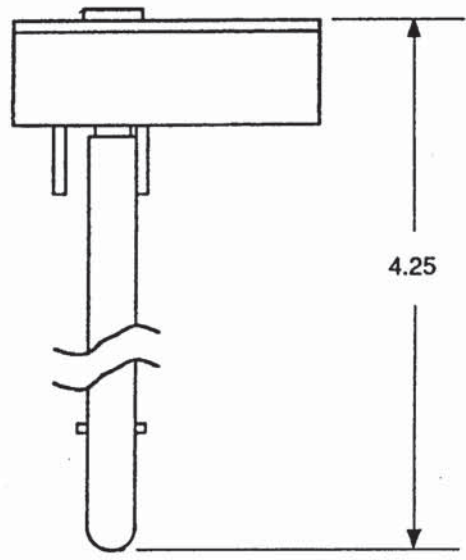


CROSS REF  
FOR  
25107-604-01



ALL DIMENSIONS  
REFERENCE ONLY

**1.0 DESCRIPTION: FIXED RATING PLUG FOR 2000 AMP WESTINGHOUSE R-FRAME  
CIRCUIT BREAKER (SOLID-STATE TRIP)**

**2.0 REQUIREMENTS**

- 2.1 RATINGS: SEE TABLE BELOW
- 2.2 FOR USE WITH A-B PART NUMBER 25103-603 AND 25103-604 (CIRCUIT BREAKER)

**3.0 QUALITY ASSURANCE AT A-B: VISUAL ONLY**

**4.0 VENDOR MODIFICATION: A-B MUST BE NOTIFIED OF ANY CHANGES IN MATERIALS OR  
PROCESSES WHICH COULD AFFECT THE PERFORMANCE, RELIABILITY OR PHYSICAL  
CHARACTERISTICS OF THIS DEVICE.**

**5.0 PACKAGING:  
SHIPPING CONTAINERS MUST BE MARKED WITH MANUFACTURER'S NAME AND  
PART NUMBER.**

PART NO.	CHG. LTR.	RATING (AMPS)	FIXED PLUG RESISTANCE (k OHMS)		REFERENCE WESTINGHOUSE P/N
			MIN.	MAX.	
-01	A	1000	13.4	14.0	20RES10T
-02	A	1200	8.6	9.1	20RES12T
-03	A	1250	8.0	8.5	20RES125T
-04	A	1400	5.5	5.8	20RES14T
-05	A	1600	3.2	3.4	20RES16T
-06	A	2000	0	1.0	20RES20T

REVISION AUTHORIZATION	
1	50309-95

DIMENSIONS APPLY BEFORE SURFACE TREATMENT  
(DIMENSIONS IN INCHES)  
TOLERANCES UNLESS OTHERWISE SPECIFIED

.XX: ± .02  
.XXX: ± .005  
ANGLES: ± 1°

**FIXED RATING PLUG  
FOR 2000A R-FRAME  
CIRCUIT BREAKER**

**AB ALLEN-BRADLEY**  
A ROCKWELL INTERNATIONAL COMPANY

DR. <i>M. LAVEN</i>	DATE 6/21/95
CHKD. <i>EBross</i>	DATE 8-21-95
APPD. <i>C. Malhotra</i>	DATE 8-22-95

THIS DRAWING IS THE PROPERTY OF THE ALLEN-BRADLEY CO. INC. AND MAY NOT BE COPIED, USED OR DISCLOSED FOR ANY PURPOSE EXCEPT AS AUTHORIZED IN WRITING BY THE ALLEN-BRADLEY CO. INC.

LOCATION: MILWAUKEE, WISCONSIN U.S.A.

DWG. SIZE <b>A</b>	SHEET 1 OF 1
<b>25107-604</b>	