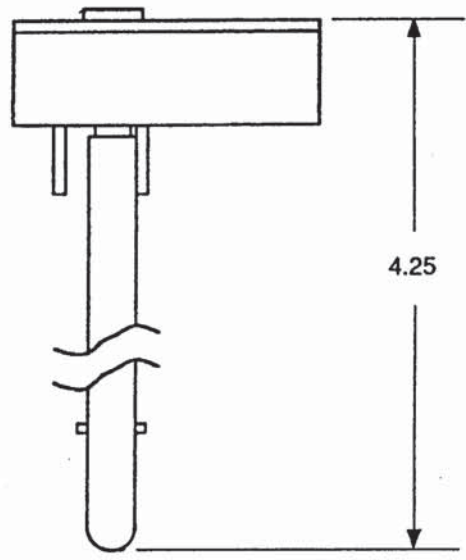


CROSS REF
FOR
25107-604-02



ALL DIMENSIONS
REFERENCE ONLY

- 1.0 DESCRIPTION: FIXED RATING PLUG FOR 2000 AMP WESTINGHOUSE R-FRAME CIRCUIT BREAKER (SOLID-STATE TRIP)
- 2.0 REQUIREMENTS
 - 2.1 RATINGS: SEE TABLE BELOW
 - 2.2 FOR USE WITH A-B PART NUMBER 25103-603 AND 25103-604 (CIRCUIT BREAKER)
- 3.0 QUALITY ASSURANCE AT A-B: VISUAL ONLY
- 4.0 VENDOR MODIFICATION: A-B MUST BE NOTIFIED OF ANY CHANGES IN MATERIALS OR PROCESSES WHICH COULD AFFECT THE PERFORMANCE, RELIABILITY OR PHYSICAL CHARACTERISTICS OF THIS DEVICE.
- 5.0 PACKAGING: SHIPPING CONTAINERS MUST BE MARKED WITH MANUFACTURER'S NAME AND PART NUMBER.

PART NO.	CHG. LTR.	RATING (AMPS)	FIXED PLUG RESISTANCE (k OHMS)		REFERENCE WESTINGHOUSE P/N
			MIN.	MAX.	
-01	A	1000	13.4	14.0	20RES10T
-02	A	1200	8.6	9.1	20RES12T
-03	A	1250	8.0	8.5	20RES125T
-04	A	1400	5.5	5.8	20RES14T
-05	A	1600	3.2	3.4	20RES16T
-06	A	2000	0	1.0	20RES20T

REFERENCE		FIXED RATING PLUG FOR 2000A R-FRAME CIRCUIT BREAKER	
REVISION AUTHORIZATION	DIMENSIONS APPLY BEFORE SURFACE TREATMENT (DIMENSIONS IN INCHES) TOLERANCES UNLESS OTHERWISE SPECIFIED	ALLEN-BRADLEY <small>A ROCKWELL INTERNATIONAL COMPANY</small>	THIS DRAWING IS THE PROPERTY OF THE ALLEN-BRADLEY CO. INC. AND MAY NOT BE COPIED, USED OR DISCLOSED FOR ANY PURPOSE EXCEPT AS AUTHORIZED IN WRITING BY THE ALLEN-BRADLEY CO. INC.
1 50309-95	.XX: ± .02 .XXX: ± .005 ANGLES: ± 1°	DR. <i>M. LAVEN</i> DATE 6/21/95 CHKD. <i>EBross</i> DATE 8-21-95 APPD. <i>C. Malhotra</i> DATE 8-22-95	LOCATION: MILWAUKEE, WISCONSIN U.S.A.
		DWG. SIZE A	SHEET 1 OF 1 25107-604