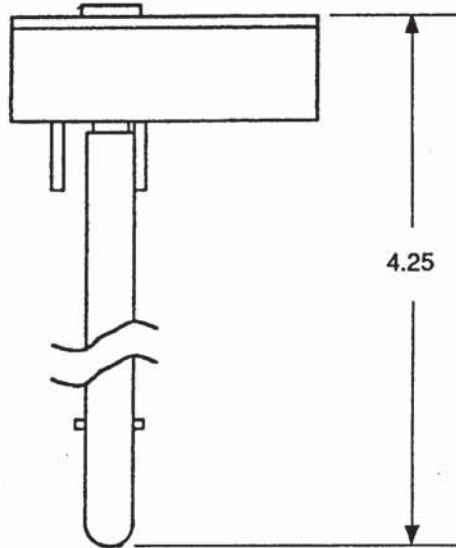


CROSS REF
FOR
25107-604-04



ALL DIMENSIONS
REFERENCE ONLY

- 1.0 DESCRIPTION: FIXED RATING PLUG FOR 2000 AMP WESTINGHOUSE R-FRAME CIRCUIT BREAKER (SOLID-STATE TRIP)
- 2.0 REQUIREMENTS
 - 2.1 RATINGS: SEE TABLE BELOW
 - 2.2 FOR USE WITH A-B PART NUMBER 25103-603 AND 25103-604 (CIRCUIT BREAKER)
- 3.0 QUALITY ASSURANCE AT A-B: VISUAL ONLY
- 4.0 VENDOR MODIFICATION: A-B MUST BE NOTIFIED OF ANY CHANGES IN MATERIALS OR PROCESSES WHICH COULD AFFECT THE PERFORMANCE, RELIABILITY OR PHYSICAL CHARACTERISTICS OF THIS DEVICE.
- 5.0 PACKAGING: SHIPPING CONTAINERS MUST BE MARKED WITH MANUFACTURER'S NAME AND PART NUMBER.

PART NO.	CHG. LTR.	RATING (AMPS)	FIXED PLUG RESISTANCE (k OHMS)		REFERENCE WESTINGHOUSE P/N
			MIN.	MAX.	
-01	A	1000	13.4	14.0	20RES10T
-02	A	1200	8.6	9.1	20RES12T
-03	A	1250	8.0	8.5	20RES125T
-04	A	1400	5.5	5.8	20RES14T
-05	A	1600	3.2	3.4	20RES16T
-06	A	2000	0	1.0	20RES20T

REFERENCE <table border="1" style="width: 100%; border-collapse: collapse;"> <tr> <th colspan="2">REVISION AUTHORIZATION</th> </tr> <tr> <td style="width: 10%;">1</td> <td>50309-95</td> </tr> <tr> <td> </td> <td> </td> </tr> <tr> <td> </td> <td> </td> </tr> </table>	REVISION AUTHORIZATION		1	50309-95					DIMENSIONS APPLY BEFORE SURFACE TREATMENT (DIMENSIONS IN INCHES) TOLERANCES UNLESS OTHERWISE SPECIFIED .XX: ± .02 .XXX: ± .005 ANGLES: ± 1°	FIXED RATING PLUG FOR 2000A R-FRAME CIRCUIT BREAKER ALLEN-BRADLEY <small>A ROCKWELL INTERNATIONAL COMPANY</small> <table border="1" style="width: 100%; border-collapse: collapse;"> <tr> <td>DR. <i>M. LAVEN</i></td> <td>DATE 6/21/95</td> </tr> <tr> <td>CHKD. <i>EBross</i></td> <td>DATE 8-21-95</td> </tr> <tr> <td>APPD. <i>C. Malhotra</i></td> <td>DATE 8-22-95</td> </tr> </table>	DR. <i>M. LAVEN</i>	DATE 6/21/95	CHKD. <i>EBross</i>	DATE 8-21-95	APPD. <i>C. Malhotra</i>	DATE 8-22-95	THIS DRAWING IS THE PROPERTY OF THE ALLEN-BRADLEY CO. INC. AND MAY NOT BE COPIED, USED OR DISCLOSED FOR ANY PURPOSE EXCEPT AS AUTHORIZED IN WRITING BY THE ALLEN-BRADLEY CO. INC. LOCATION: MILWAUKEE, WISCONSIN U.S.A. <table border="1" style="width: 100%; border-collapse: collapse;"> <tr> <td>DWG. SIZE</td> <td>SHEET 1 OF 1</td> </tr> <tr> <td style="font-size: 2em; font-weight: bold;">A</td> <td style="font-size: 1.5em; font-weight: bold;">25107-604</td> </tr> </table>	DWG. SIZE	SHEET 1 OF 1	A	25107-604
REVISION AUTHORIZATION																					
1	50309-95																				
DR. <i>M. LAVEN</i>	DATE 6/21/95																				
CHKD. <i>EBross</i>	DATE 8-21-95																				
APPD. <i>C. Malhotra</i>	DATE 8-22-95																				
DWG. SIZE	SHEET 1 OF 1																				
A	25107-604																				