

**J-Frame**

**Line and Load Terminals**

Eaton’s Cutler-Hammer line and load terminals provide wire connecting capabilities for specific ranges of continuous current ratings and wire types. All terminals comply with Underwriters Laboratories Standards UL 486A and UL 486B and CSA Standard C22.2 No. 65, or Electrical Bulletin 1165. Unless otherwise specified, J-Frame circuit breaker line and load terminals are shipped separately for field installation.

The bottom of the standard TA250KB terminal contains a recess which is positioned over the J-Frame circuit breaker terminal conductor.

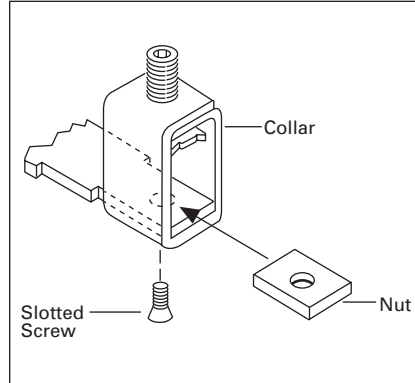
**Ordering Information**

J-Frame circuit breakers use Cu/Al terminals as standard. When optional copper-only terminals are required, order by Catalog Number. Specify if factory installation is required.

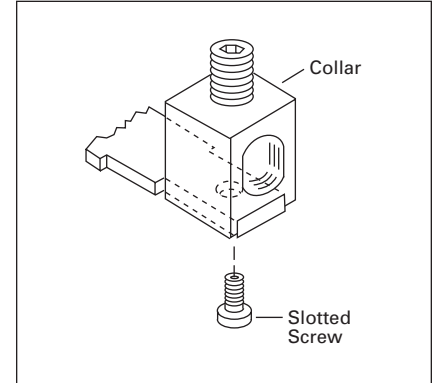
**Table 12-176. Line and Load Terminals**

Maximum Breaker Amperes	Terminal Body Material	Wire Type	AWG Wire Range/ No. Conductors	Metric Wire Range mm <sup>2</sup>	Catalog Number	Price U.S. \$
<b>Standard Cu/Al Pressure Terminals</b>						
250	Aluminum	Cu/Al	4 – 350 kcmil	25 – 185	TA250KB	
<b>Optional Cu Pressure Terminals</b>						
250	Stainless Steel	Cu	4 – 350 kcmil	25 – 185	T250KB	

**Note:** No dual lugs. See multiwire lugs **Page 12-245**.



**Figure 12-21. T250KB Terminal**



**Figure 12-22. TA250KB Terminal (Standard)**

