

**K-Frame**

## Line and Load Terminals

Eaton's Cutler-Hammer line and load terminals provide wire connecting capabilities for specific ranges of continuous current ratings and wire types. All terminals comply with Underwriters Laboratories Standards

UL 486A and UL 486B and CSA Standard C22.2 No. 65, or Electrical Bulletin 1165. Unless otherwise specified, K-Frame circuit breaker line and load terminals are shipped separately for field installation.

## Ordering Information

K-Frame circuit breakers use Cu/Al terminals as standard. When optional copper or Cu/Al terminals are required, order by Catalog Number. Specify if factory installation is required.

**Table 12-200. Line and Load Terminals**

Maximum Breaker Amperes	Terminal Body Material	Wire Type	AWG Wire Range/No. Conductors	Metric Wire Range mm <sup>2</sup>	Terminal		Figure	Terminals with Control Wire Termination		Figure
					Catalog Number	Price U.S. \$		Catalog Number	Price U.S. \$	
<b>Standard Cu/Al Pressure Terminals</b>										
225	Aluminum	Cu/Al	3 – 350/(1)	35 – 185	TA300K ①		12-26	—		—
350	Aluminum	Cu/Al	250 – 500/(1)	120 – 240	TA350K ①		12-25	—		—
400	Aluminum	Cu/Al	3/0 – 250/(2)	95 – 120	2TA400K ②③ 3TA400K ②④ 4TA400K ⑤⑥		12-24 12-24 12-24	2TA400KCW ②③ 3TA400KCW ②④ 4TA400KCW ⑤⑥		12-27 12-27 12-27

### Optional Copper and Cu/Al Pressure Type Terminals

225	Copper	Cu	3 – 350/(1)	35 – 185	T300K ①		12-26	—		—
350	Copper	Cu	250 – 500/(1)	120 – 240	T350K ①		12-25	—		—
400	Copper	Cu	3/0 – 250/(2)	95 – 120	2T400K ③ 3T400K ④ 4T400K ⑤		12-24 12-24 12-24	2T400KCW ②③ 3T400KCW ②④ 4T400KCW ⑤⑥		12-27 12-27 12-27
400	Aluminum	Cu/Al	2/0 – 250/(2) or 2/0 – 500/(1)	70 – 120 70 – 240 70 – 240	2TA401K ②③ 3TA401K ②④ 4TA401K ⑤⑥		12-23 12-23 12-23	2TA401KCW ②③ 3TA401KCW ②④ 4TA401KCW ⑤⑥		12-27 12-27 12-27
400	Aluminum	Cu/Al	500 – 750/(1)	300 – 400	2TA402K ②③ 3TA402K ②④ 4TA402K ⑤⑥		12-28 12-28 12-28	— — —		— — —
400	Copper	Cu	500 – 750/(1)	—	2T402K ②③ 3T402K ②④ 4T402K ⑤⑥		12-28 12-28 12-28	— — —		— — —

- ① Individually packed.
- ② Terminal kits contain one terminal for each pole and one terminal cover.
- ③ 2-pole kit.
- ④ 3-pole kit.
- ⑤ 4-pole kit.
- ⑥ Terminal kits contain one terminal for each pole and three interphase barriers.

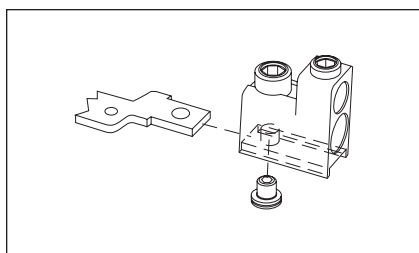


Figure 12-23. TA401K

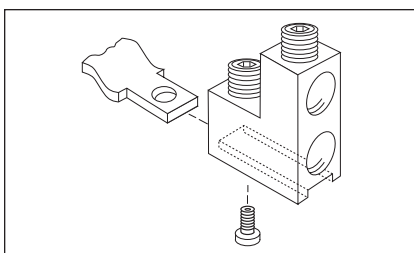


Figure 12-24. TA400K, T400K

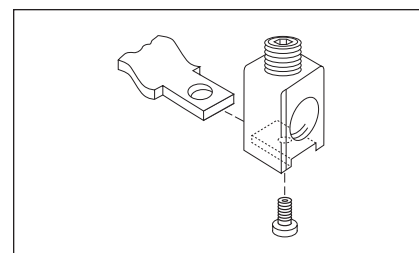


Figure 12-25. TA350K, T350K

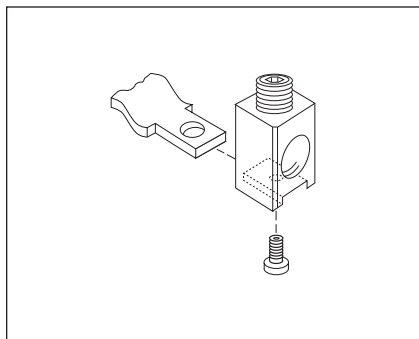


Figure 12-26. TA300K, T300K

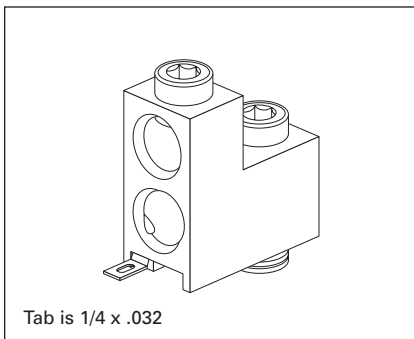


Figure 12-27. T400KCW, TA400KCW, TA401KCW

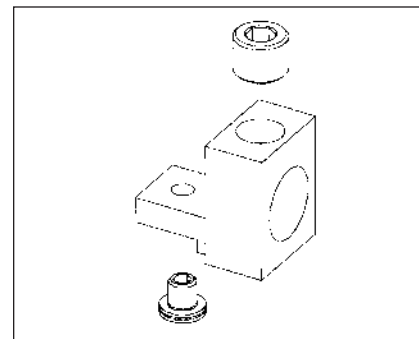


Figure 12-28. TA402K, T402K

Discount Symbol ..... CB-2