

This instruction leaflet gives procedures for installation and field testing of N-frame circuit breakers and describes the different trip unit characteristics. For this publication, the term circuit breaker shall also include the molded case switch.

2. INSTALLATION

The installation procedure consists of inspecting the circuit breaker, installing the accessories and terminals and, if required, mounting the circuit breaker, connecting the line and load conductors and accessory wiring, and adjusting trip settings. Circuit breakers, accessories, and terminals may be supplied in separate packages. To install the circuit breaker, perform the following steps:

2.1 Inspection

Make sure the circuit breaker is suitable for the intended installation by comparing nameplate data with existing equipment ratings and system requirements. Inspect the circuit breaker for completeness and check for damage before mounting.

2.2 Accessory Installation

Note: If required, internal accessory installation in any type of circuit breaker should be done before the circuit breaker is mounted and connected. Refer to the individual accessory instruction leaflets listed above.

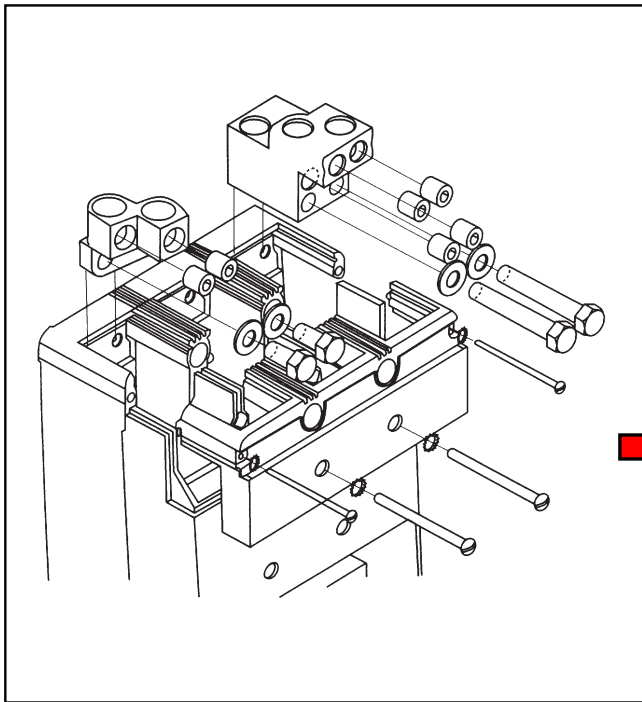


Figure 2-1 Terminal Installation.

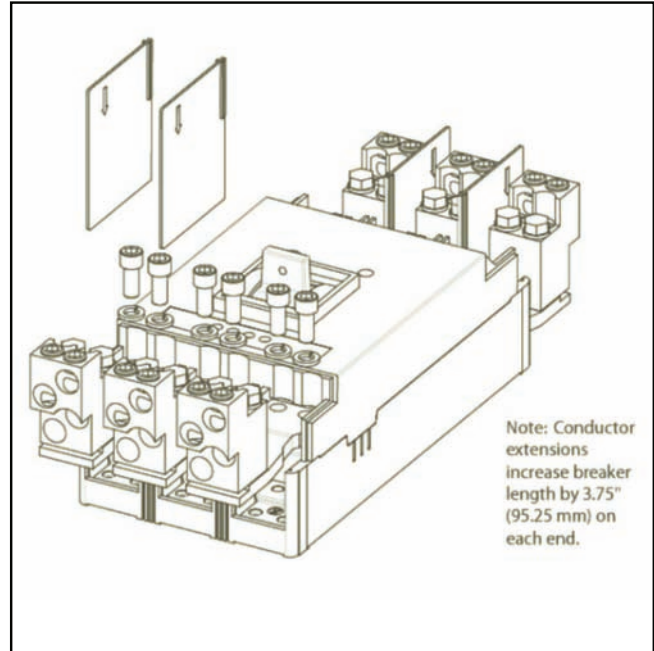


Figure 2-2 Conductor Extensions (Purchased Separately).

Terminals are not included.

Terminals must be purchased separately. For breakers with Metric threads add an "M" suffix to the terminal catalog number.

For bus connections use:

- M12 - 1.75 bolts for Metric Style front mounted bus connections, socket cap screws are recommended.
- .500-13 bolts (English Threads) for front mounted bus connections, socket cap screws are recommended.

Torque Table (Domestic)

Terminal Cat. No.	Wire Size MCM	Cond. Mat'l	Torq. lb.-in.	Torq. Nm.
TA700NB1	#1-500 (2)	CU/AL	375	42.4
TA1000NB1	3/0-400 (3)	CU/AL	375	42.4
TA1200NB1	4/0-500 (4)	CU/AL	375	42.4
TA1201NB1	500-750 (3)	CU/AL	450	50.9
T700NB1	2/0-500 (2)	CU ONLY	300	33.9
T1000NB1	3/0-5-- (3)	CU ONLY	300	33.9
T1200NB3	3/0-400 (4)	CU ONLY	275	31.1